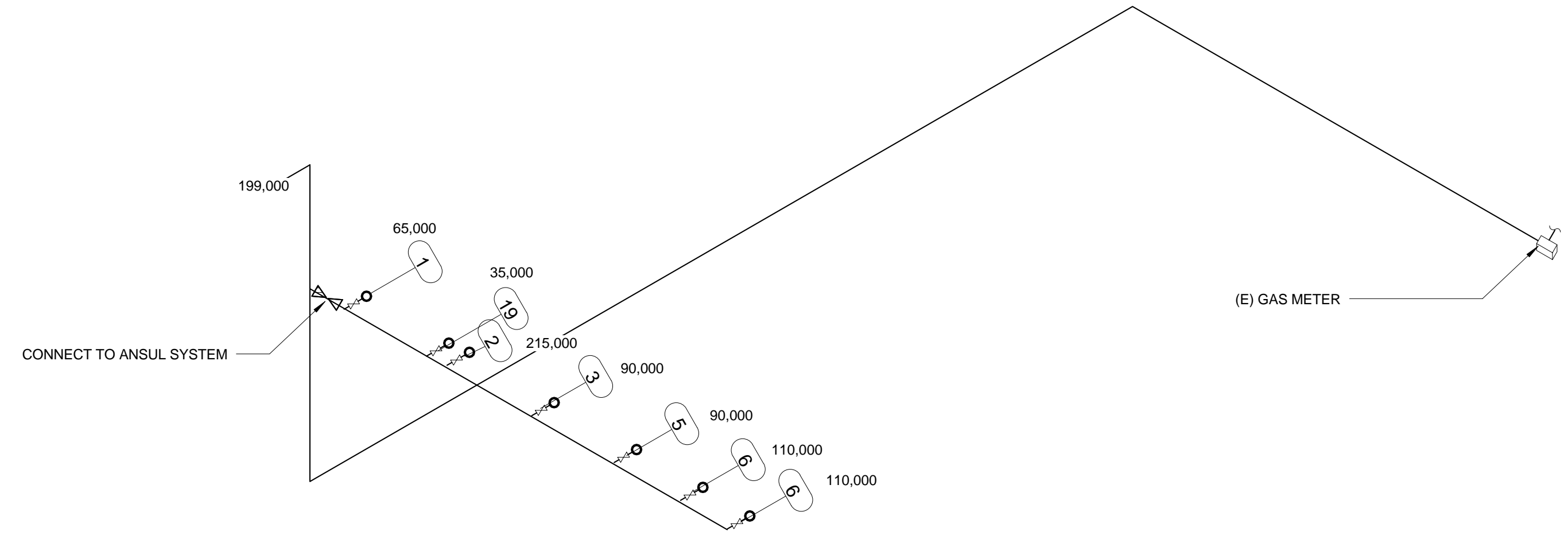
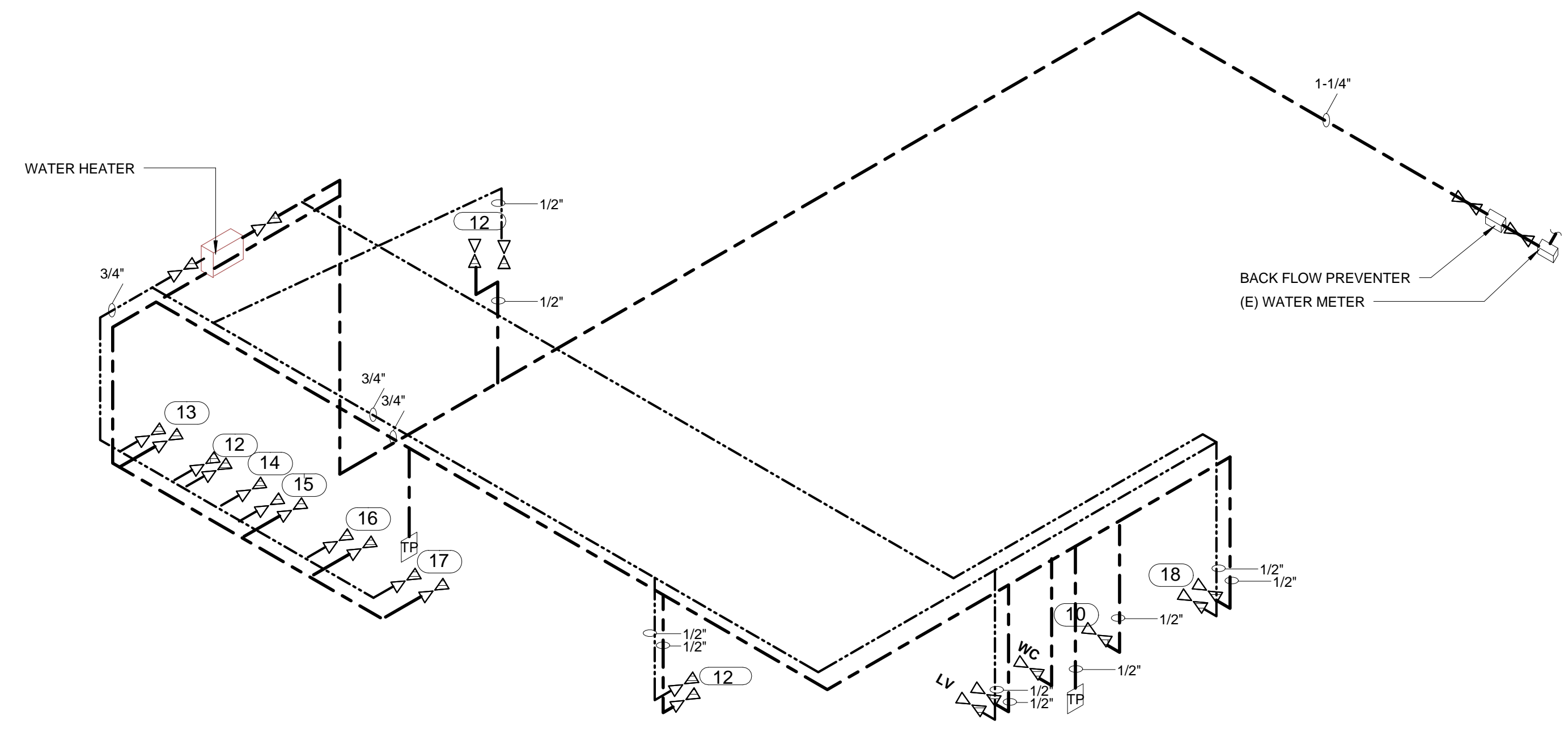


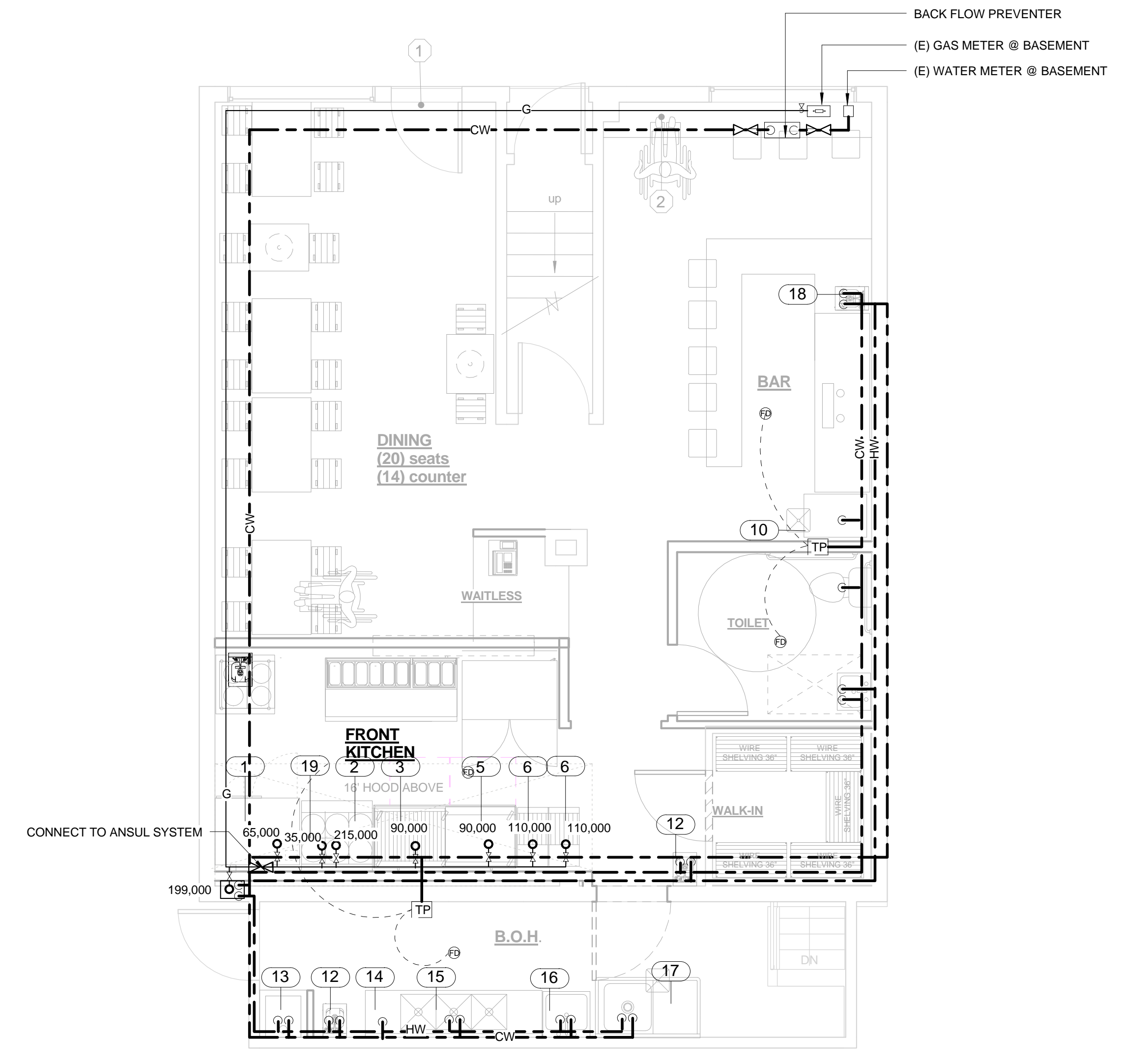
REVISION



2 GAS LINE RISER
1/4" = 1'-0"



3 DOMESTIC WATER RISER
1/4" = 1'-0"



1 DOMESTIC AND GAS DIAGRAM
1/4" = 1'-0"

Tenant Improvement
Uncle Billy's BBQ
 166 CUMBERLAND AVE
 PORTLAND ME 04101

PROJECT NUMBER	150101
DRAWN	Author
CHECKED	Checker
DATE	
SCALE	

DOMESTIC AND GAS LINE DIAGRAM

P-1.1