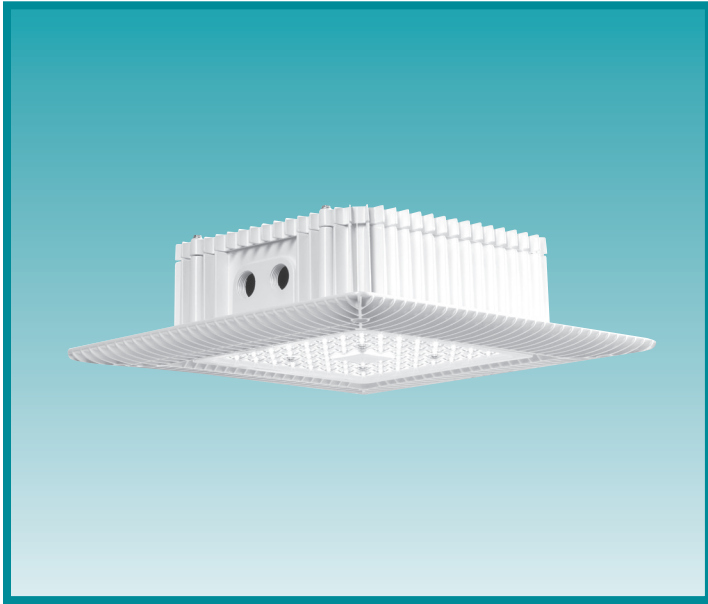


# FueLED RECESSED CANOPY LIGHT



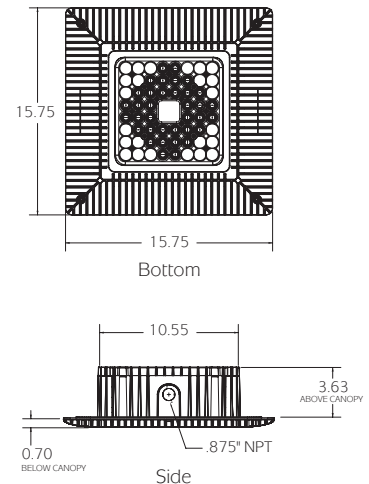
Petroleum marketers have long recognized the critical role outdoor lighting plays in attracting customers in a highly competitive marketplace. Now you can maximize your visibility with brilliant canopy illumination and set your location apart with the FueLED recessed petroleum canopy luminaire. With an ultra-thin profile, the FueLED luminaire is capable of producing greater than 14,000 lumens of delivered light at a power consumption of less than 140 watts. Lumen packages with efficacies up to 100 lumens per watt are available in several application-specific light patterns. Whether it is new construction or retrofit applications, FueLED gives you the solution to your retail petroleum lighting needs.

## Fixture Specifications

### FEATURES

- Made from low-copper marine-grade cast aluminum
- The FueLED optical assembly is designed to exceed IP66 design standards allowing for light hose-down cleaning
- Application-specific optics maximize energy efficiency by focusing illumination on key areas and preventing wasted light
- The unique all-inclusive housing provides an integral wiring and driver compartment for ease of installation
- Replaceable LED module enables future upgrades and service for the LED light engine
- Thermal frame technology provides state-of-the-art passive cooling in the most demanding environments

### DIMENSIONS



### ORDERING INFORMATION

#### SAMPLE CATALOG NUMBER

**XXXXX** Series    **XX** LED Quantity    **7** LED Driver    **XXXX** Voltage    **XXX** Optics    **5** Color Temp.    **WH** Color

#### SERIES

**FLED** LED Under Canopy Light

#### VOLTAGE

**UNIV** 120-277V  
**347** 347V  
**480** 480V

#### RETROFIT OPTIONS

##### SURFACE MOUNT OPTIONS

- FLED-RT1** FueLED Retrofit Kit (fits Whiteway Vision, Riviera 2, Thunderbird)
- FLED-RT2** FueLED Retrofit Kit (fits Whiteway Riviera 1, LSI Masters, Dakota)
- FLED-RT3** FueLED Retrofit Kit (fits Jet Phillips)

#### LED QUANTITY

**24** 60 Watts  
**36** 90 Watts  
**48** 115 Watts  
**60** 135 Watts

#### OPTICS

**CVQ** Concentrated Square  
 -designed for Gas Station Canopy Applications  
**CVD** Concentrated Round  
 -designed for Soffit Applications

##### RECESSED OPTIONS

**FLED-CP** Cover Plate for direct mounting to canopy

#### LED DRIVER

**7** 700mA

#### COLOR TEMPERATURE

**5** 5000K, 70 CRI

#### COLOR

**WH** White

Consult factory for additional options.



A HUBBELL LIGHTING, INC. COMPANY

Performance Designed Lighting Products

1085 Johnson Drive • Buffalo Grove, IL 60089 • TOLL-FREE: 800-544-4848 • PHONE: 847-279-0627 • FAX: 847-279-0642

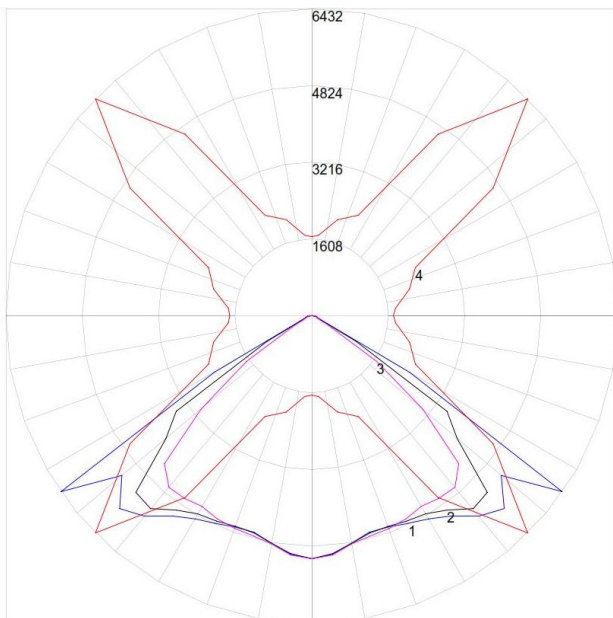
[www.whiteway-ltg.com](http://www.whiteway-ltg.com)  
[www.hubbellighting.com](http://www.hubbellighting.com)

## FueLED Luminaire Performance Summary<sup>1</sup>

Type	Engine	Delivered Lumens	No. of LEDs	CCT	System Wattage	Lumens per Watt	Replaces
CVD Concentrated Round	24-N-700	5,738	24	5000K	58	98.9	175W
	36-N-700	8,608	36	5000K	87	98.9	250W
	48-N-700	11,477	48	5000K	115	99.8	320W
	60-N-700	14,347	60	5000K	144	99.6	400W
CVD <sup>2</sup> Concentrated Square	24-N-700	5,453	24	5000K	58	94	175W
	36-N-700	8,179	36	5000K	87	94	250W
	48-N-700	11,810	48	5000K	115	102.7	320W
	60-N-700	13,632	60	5000K	136	100.2	400W

1. All performance data has been acquired by physical test reports conducted to LM-79-08 standards in a controlled testing laboratory.
2. CVQ optics meet DLC zonal lumen requirements.
3. CVQ optic provides application-optimized vertical and horizontal illumination levels while providing excellent uniformity.

## Photometrics



Maximum Candela = 6432 Located At Horizontal Angle = 45, Vertical Angle = 55  
 # 1 - Vertical Plane Through Horizontal Angles (45 - 225) (Through Max. Cd.): BLUE  
 # 2 - Vertical Plane Through Horizontal Angles (60 - 240): BLACK  
 # 3 - Vertical Plane Through Horizontal Angles (90 - 270): MAGENTA  
 # 4 - Horizontal Cone Through Vertical Angle (55) (Through Max. Cd.)  
 Light Laboratory Inc. Certified Test Report # L09122601  
 Luminaire Photometric Testing performed to IESNA LM-79-08 Standards