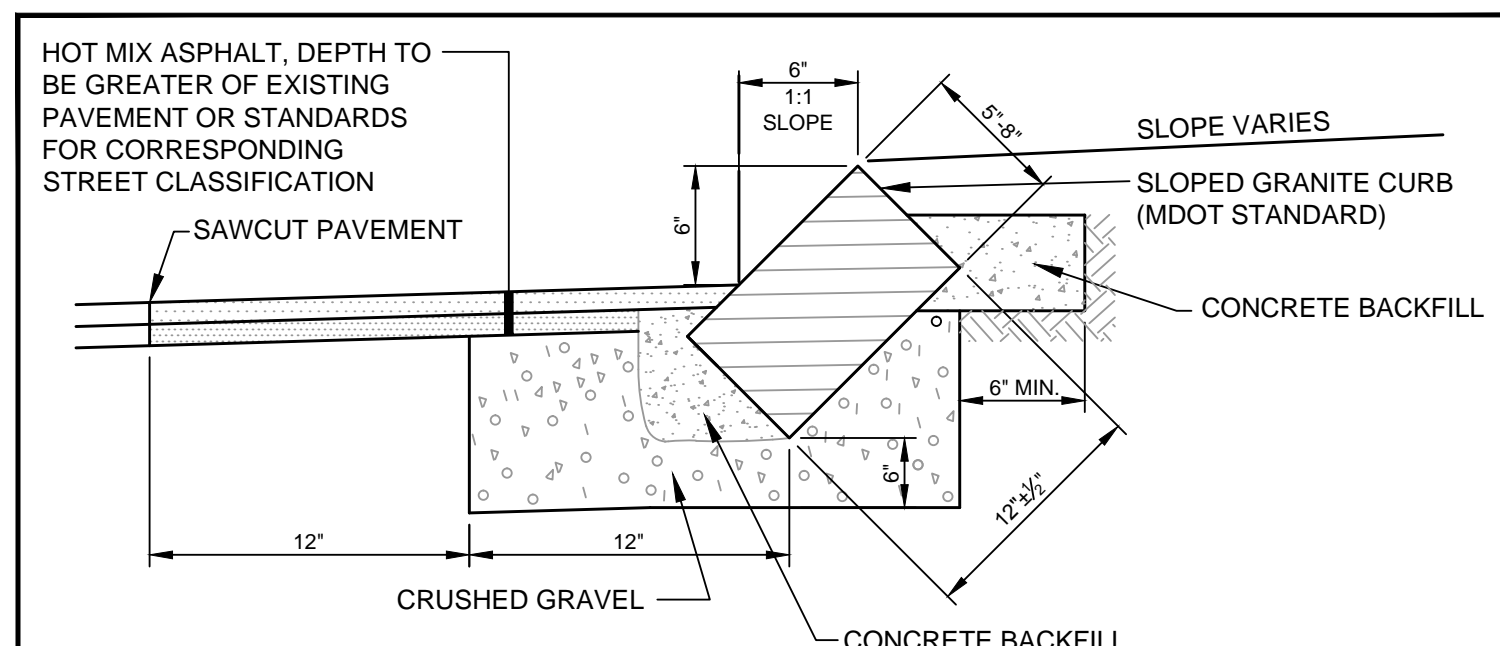


NOTE:
GAS LINE TO BE INSTALLED BY OTHERS. SITE CONTRACTOR IS RESPONSIBLE FOR EXCAVATION AND BACKFILL OF THE GAS LINE AND PLACEMENT OF THE WARNING TAPES AND TRACER.

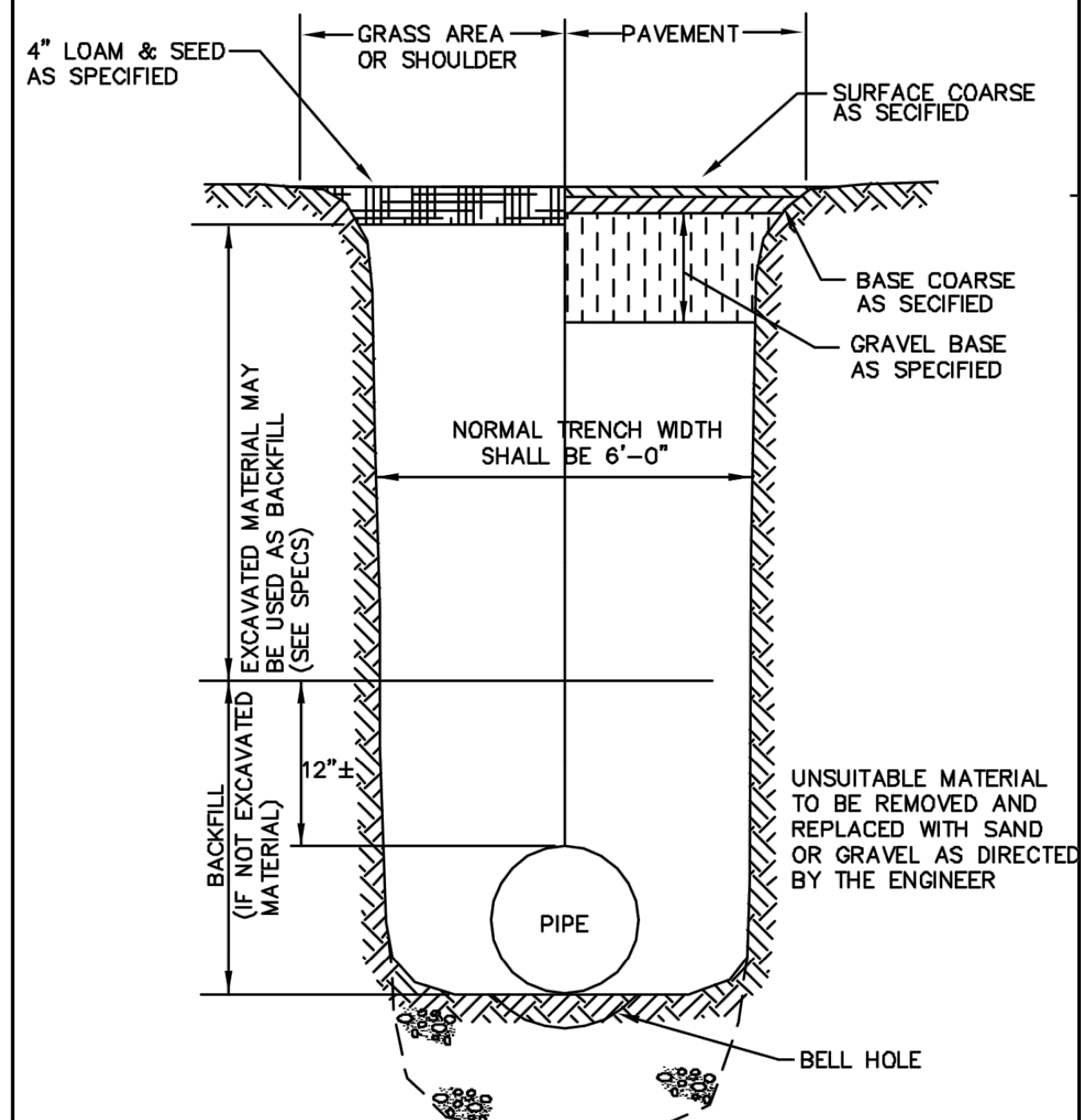
6
(A) GAS SERVICE TRENCH SECTION
N.T.S.



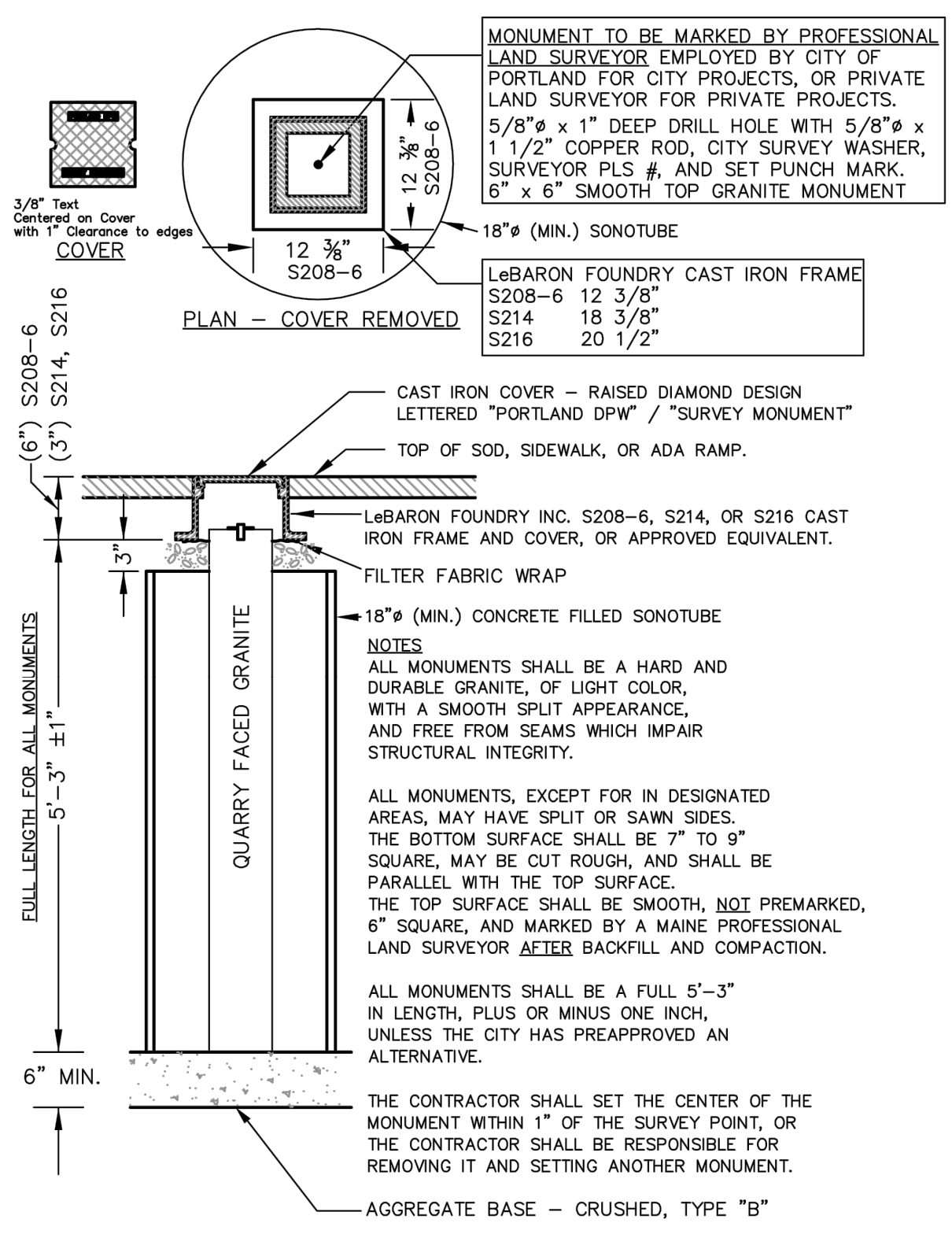
RADIUS FOR STONES WITH SQUARE JOINTS	MAXIMUM LENGTH
10'-28"	1'-6"
29'-41"	2'
42'-55"	3'
56'-68"	4'
69'-82"	5'
83'-96"	6'
97'-110"	7'
OVER 110'	8'

- NOTES
- ADJOINING STONES OF STRAIGHT CURB LAID ON CURVES SHALL HAVE THE SAME OR APPROXIMATELY THE SAME LENGTH.
 - MINIMUM LENGTH OF STRAIGHT CURB STONES - 4'
 - MAXIMUM LENGTH OF STRAIGHT CURB STONES - 8'
 - MAXIMUM LENGTH OF STRAIGHT CURB STONES LAID ON CURVES - SEE CHART. NOT TO BE USED FOR RADIUS LESS THAN 10'.
 - GROUT OR CAULK ALL CURB JOINTS OVER 1/4" IN WIDTH.
 - INSTALL STRIP OF FILTER FABRIC BEHIND EACH CURB JOINT.

(C) TYPE 5 SLOPED GRANITE CURB DETAIL
INSTALLATION IN EXISTING STREETS
N.T.S.



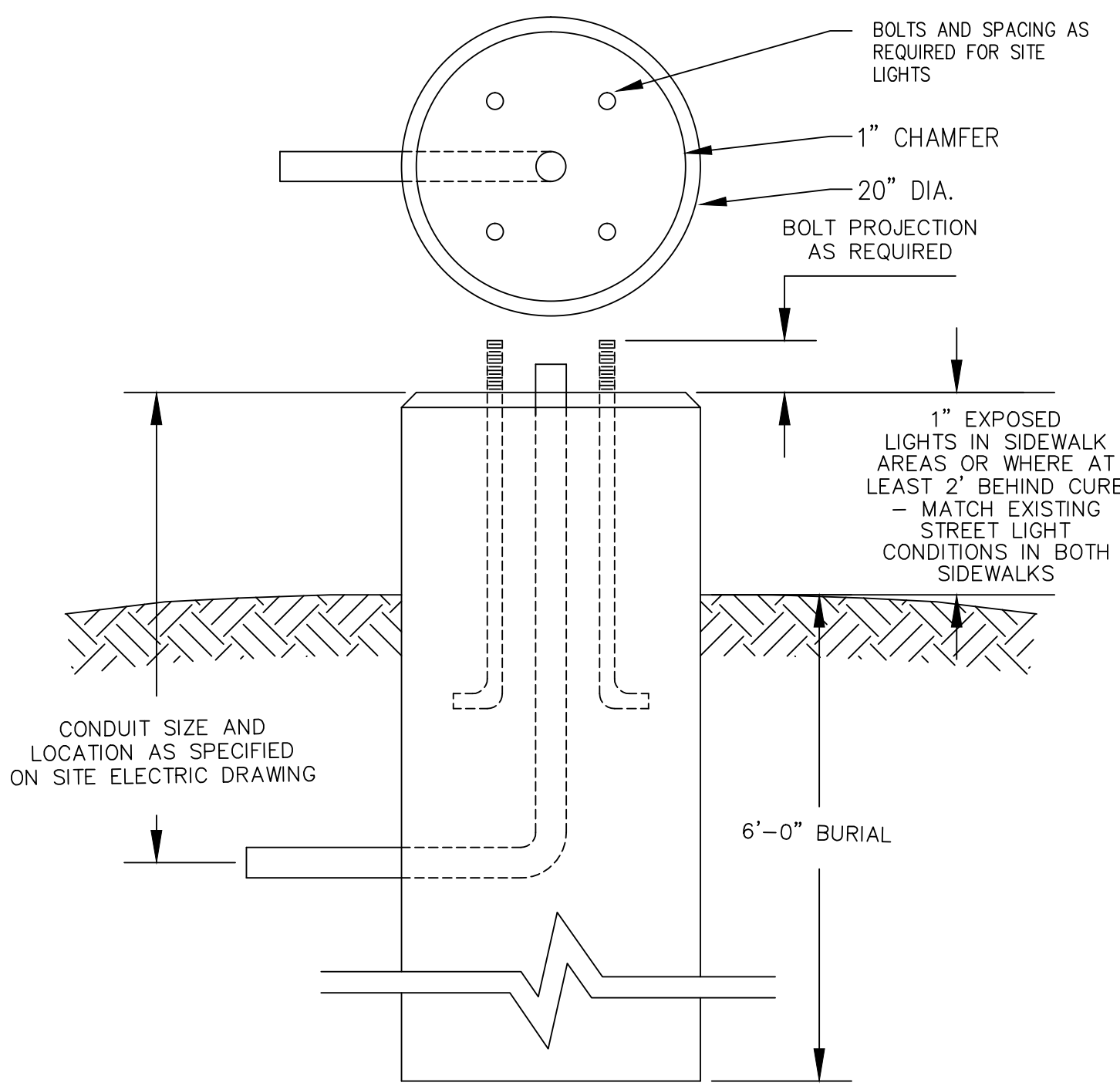
6
(E) WATER TRENCH DETAIL
N.T.S.



- NOTES
- ALL MONUMENTS SHALL BE A HARD AND DURABLE GRANITE, OF LIGHT COLOR, WITH A SMOOTH SPLIT APPEARANCE, AND FREE FROM SEAMS WHICH IMPAIR STRUCTURAL INTEGRITY.
 - ALL MONUMENTS, EXCEPT FOR IN DESIGNATED AREAS, MAY HAVE SPLIT OR SAWN SIDES. THE BOTTOM SURFACE SHALL BE 7" TO 9" SQUARE, MAY BE CUT ROUGH, AND SHALL BE PARALLEL WITH THE TOP SURFACE. THE TOP SURFACE SHALL BE SMOOTH, NOT PREMARKED, 6" SQUARE, AND MARKED BY A MAINE PROFESSIONAL LAND SURVEYOR AFTER BACKFILL AND COMPACTION.
 - ALL MONUMENTS SHALL BE A FULL 5'-3" IN LENGTH, PLUS OR MINUS ONE INCH, UNLESS THE CITY HAS PREAPPROVED AN ALTERNATIVE.
 - THE CONTRACTOR SHALL SET THE CENTER OF THE MONUMENT WITHIN 1" OF THE SURVEY POINT, OR THE CONTRACTOR SHALL BE RESPONSIBLE FOR REMOVING IT AND SETTING ANOTHER MONUMENT.

(B) GRANITE STREET MONUMENT
N.T.S.
AS OBTAINED FROM THE CITY OF PORTLAND "TECHNICAL MANUAL"

NOTE: ANCHOR BOLTS TO BE PROVIDED TO CONTRACTOR BY THE OWNER. THE CONTRACTOR IS RESPONSIBLE FOR SUPPLYING AND INSTALLING ALL LIGHT POLE FOUNDATIONS. THE CONTRACTOR IS ALSO RESPONSIBLE FOR TRENCHING AND BACKFILLING ALL CONDUITS. THE CONTRACTOR WILL BE RESPONSIBLE FOR SETTING OF LIGHT POLES AND ALL WIRING AND LIGHTING ASSEMBLIES.



- DESIGN NOTES:
- CONCRETE 4,000 PSI AT 28 DAYS
 - REINFORCING IS AS SPECIFIED. (TYP. 4 - #4 VERTICALLY AND #3 STIRRUPS 12" O.C. HORIZONTALLY)
 - ANCHOR BOLTS AND GROUNDING AS SPECIFIED AND REQUIRED BY SUPPLIER.
 - EXPOSED PORTION OF CONCRETE FOUNDATION TO BE PAINTED WITH 2 COATS OF ACRYLIC PAINT. COLOR TO MATCH POLE COLOR.
 - FOR POLE HEIGHTS EQUAL TO OR LESS THAN 25' TALL.

6
(D) 20" DIA. CONCRETE LIGHT POLE BASE
N.T.S.

CITY OF PORTLAND
APPROVED SITE PLAN
Subject to Conditions of Approval
and Standard Conditions

DATE OF APPROVAL May 26, 2015
PLANNER Shukria Wiar
PROJECT NO. 2014-066

REV	DATE	DESCRIPTION
6	10.20.15	RELEASED FOR CONSTRUCTION
5	04.15.15	REVISED PER STAFF COMMENTS & RESUBMITTED TO CITY
4	02.06.15	SUBMITTED FINAL SITE PLAN APPLICATION TO CITY
3	07.08.14	REVISED PER ENGINEERING PEER REVIEW COMMENTS AND RESUBMITTED TO CITY
2	06.12.14	REVISED PER PLANNING REVIEW STAFF COMMENTS AND RESUBMITTED TO CITY
1	05.05.14	SUBMITTED TO CITY

STATE OF MAINE
STEPHEN R. BUSHEY
LICENSED PROFESSIONAL ENGINEER
LIC. #7429

PROJECT
**185 FORE STREET
PORTLAND, MAINE**

SHEET TITLE
MISCELLANEOUS DETAILS

CLIENT
BATEMAN PARTNERS LLC

FST 100 YEARS
FAY, SPOFFORD & THORNDIKE
ENGINEERS • PLANNERS • SCIENTISTS
778 MAIN ST, SUITE 8, SOUTH PORTLAND, ME 04106

DRAWN: CDD DATE: MAY 2014
DESIGNED: SRB SCALE: N.T.S.
CHECKED: SRB JOB NO. SP-M150
FILE NAME: SP-M150-DET
SHEET **C-6.1**