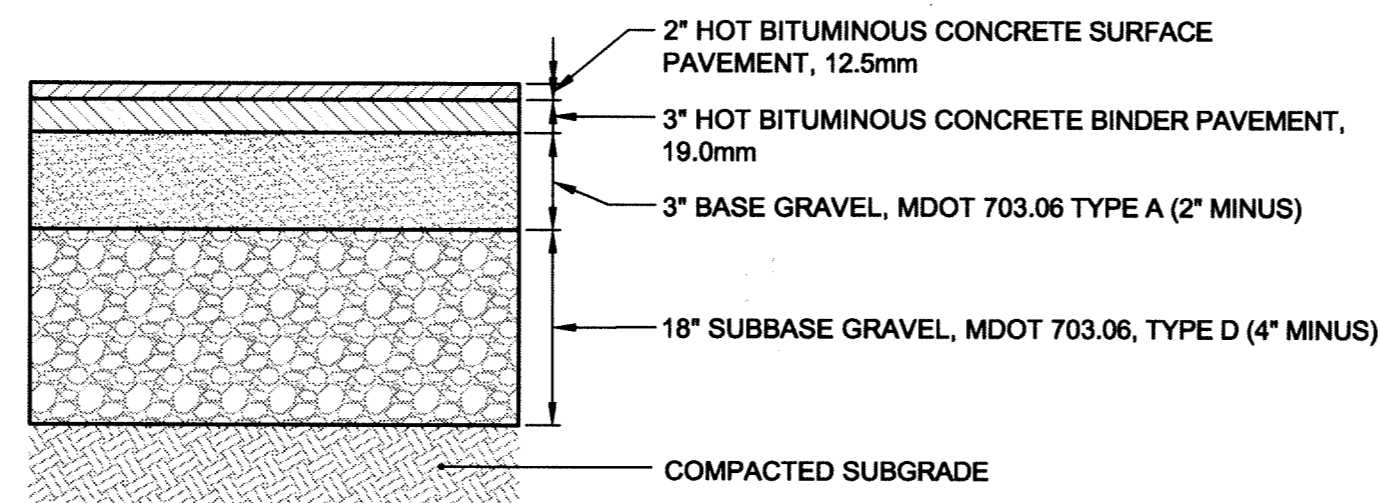
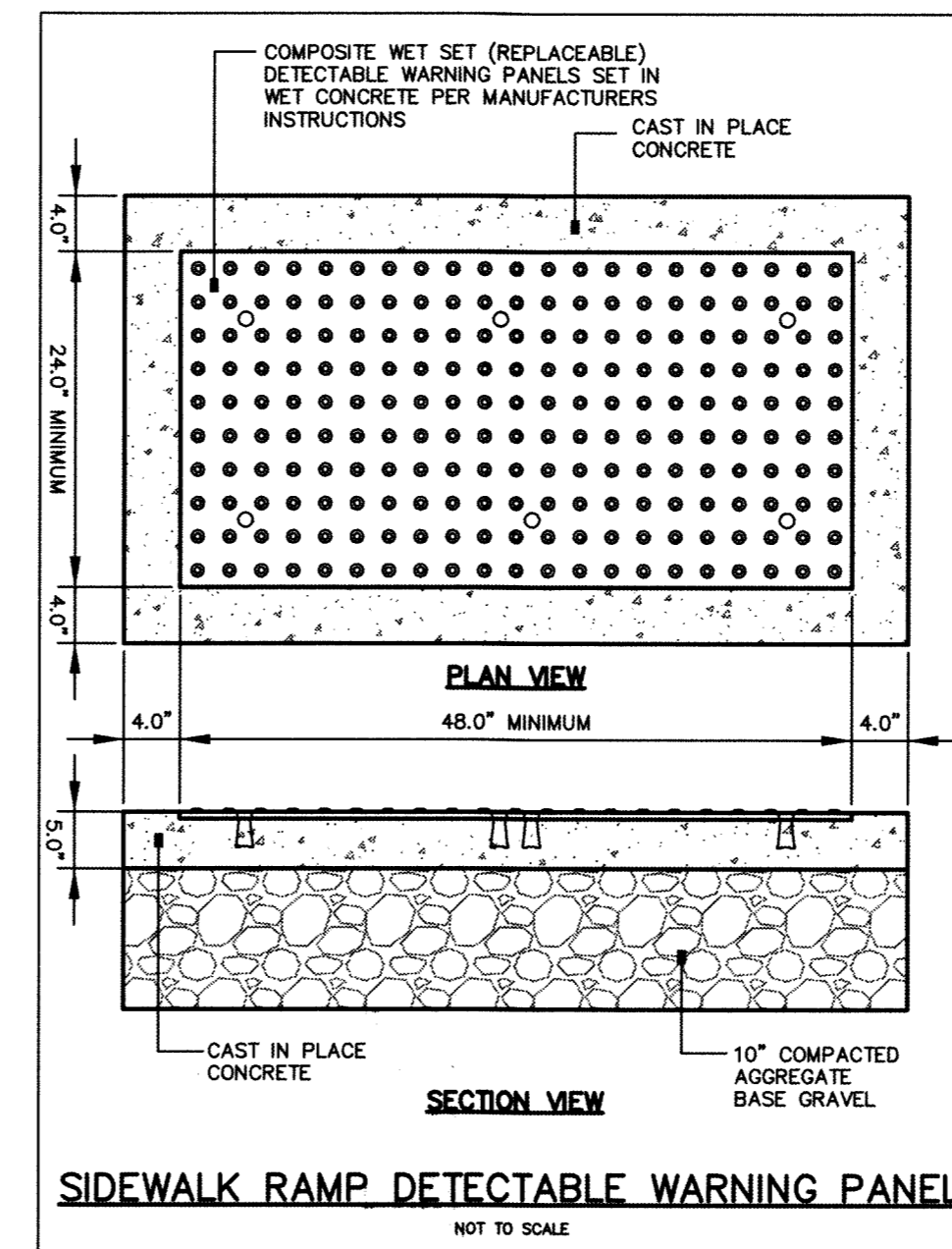


(A) BRICK SIDEWALK DETAIL
N.T.S.

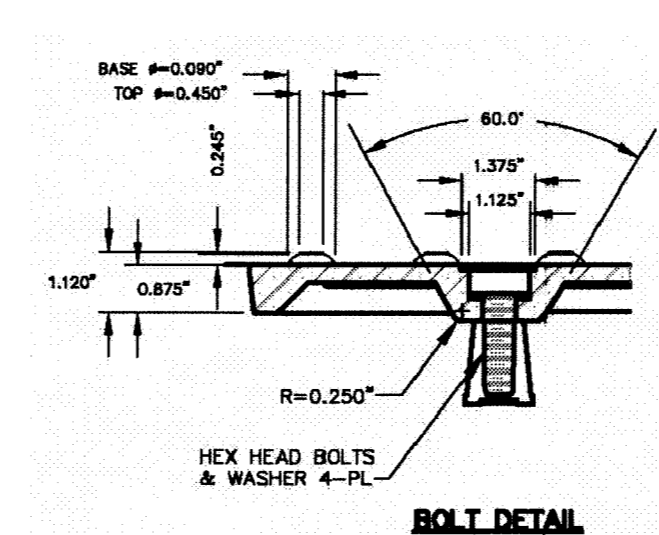


NOTES:
1. APPLY TACK COAT BETWEEN BINDER AND SURFACE COURSES.
2. ALL MATERIALS SHALL CONFORM TO MDOT SPECIFICATIONS, LATEST REVISION. COMPACTION OF ALL MATERIALS TO BE IN ACCORDANCE WITH THE SPECIFICATIONS AND THE GEOTECHNICAL REPORT.

(D) BITUMINOUS CONCRETE PAVEMENT SECTION
N.T.S.

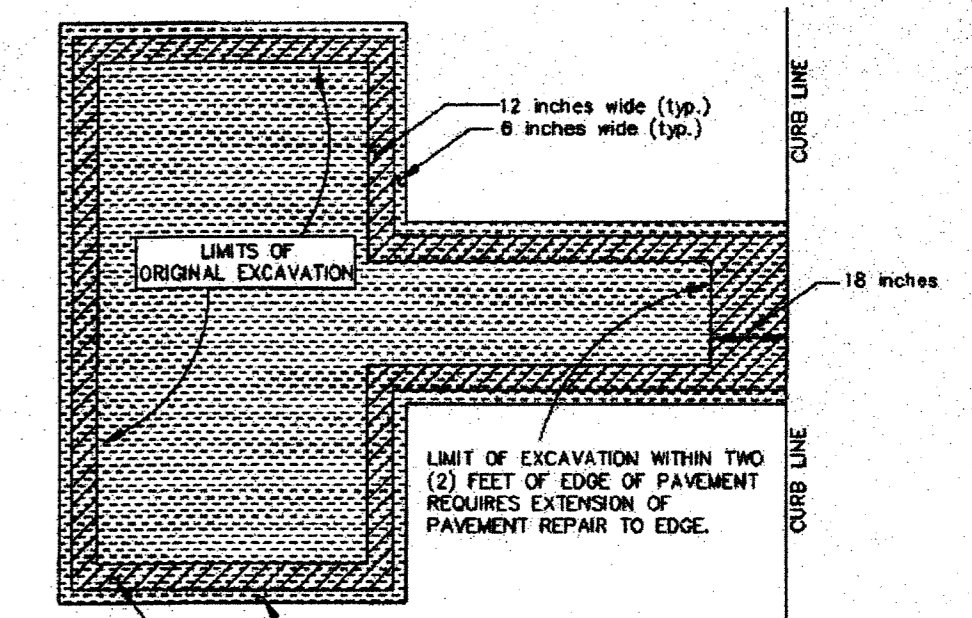


SIDEWALK RAMP DETECTABLE WARNING PANEL
NOT TO SCALE



NOTES:
1. COMPOSITE WET SET (REPLACEABLE) DETECTABLE WARNING PANELS SHALL BE AS MANUFACTURED BY ADA SOLUTIONS, INC. (WWW.ADATILE.COM), OR APPROVED EQUAL.
2. CAST IN PLACE CONCRETE SHALL MEET SPECIFICATIONS FOR MAINE D.O.T. CLASS A STRUCTURAL CONCRETE. MINIMUM COMPRESSIVE STRENGTH 4000 PSI. THE CONCRETE SHALL BE SEALED PRIOR TO SETTING PANELS. THE EXPOSED CONCRETE BORDER SHALL RECEIVE A GROOVED EDGE BETWEEN THE PANELS AND CONCRETE, ALONG WITH A UNIFORM BROOM FINISH PERPENDICULAR TO THE FLOW OF PEDESTRIAN TRAFFIC.
3. TRUNCATED DOMES SHALL BE ALIGNED IN ROWS, PARALLEL AND PERPENDICULAR TO THE PREDOMINANT DIRECTION OF TRAVEL.
4. FOR ALL DETECTABLE WARNING PANELS (EXCEPT AS SPECIFIED IN FIGURE 1-7A AND TECHNICAL MANUAL SECTION 1.6.4), FEDERAL YELLOW COLORED (#33038) PANELS SHALL BE USED. FOLLOW MANUFACTURER'S INSTRUCTIONS FOR INSTALLATION.
5. SIZE: THE DETECTABLE WARNING PANEL(S) SHALL EXTEND 24 INCHES MINIMUM IN THE DIRECTION OF TRAVEL AND THE FULL WIDTH OF THE CURB RAMP, LANDING, OR BLENDED TRANSITION TO THE STREET.
6. ORIENTATION: THE DETECTABLE WARNING PANEL SHALL BE LOCATED SO THAT THE EDGE NEAREST THE CURB LINE IS 8 INCHES MINIMUM AND 8 INCHES MAXIMUM FROM THE CURB LINE. THE PANEL SHALL BE ORIENTED TO THE DIRECTION OF TRAVEL AS IDENTIFIED BY THE POINT OF EGRESS.

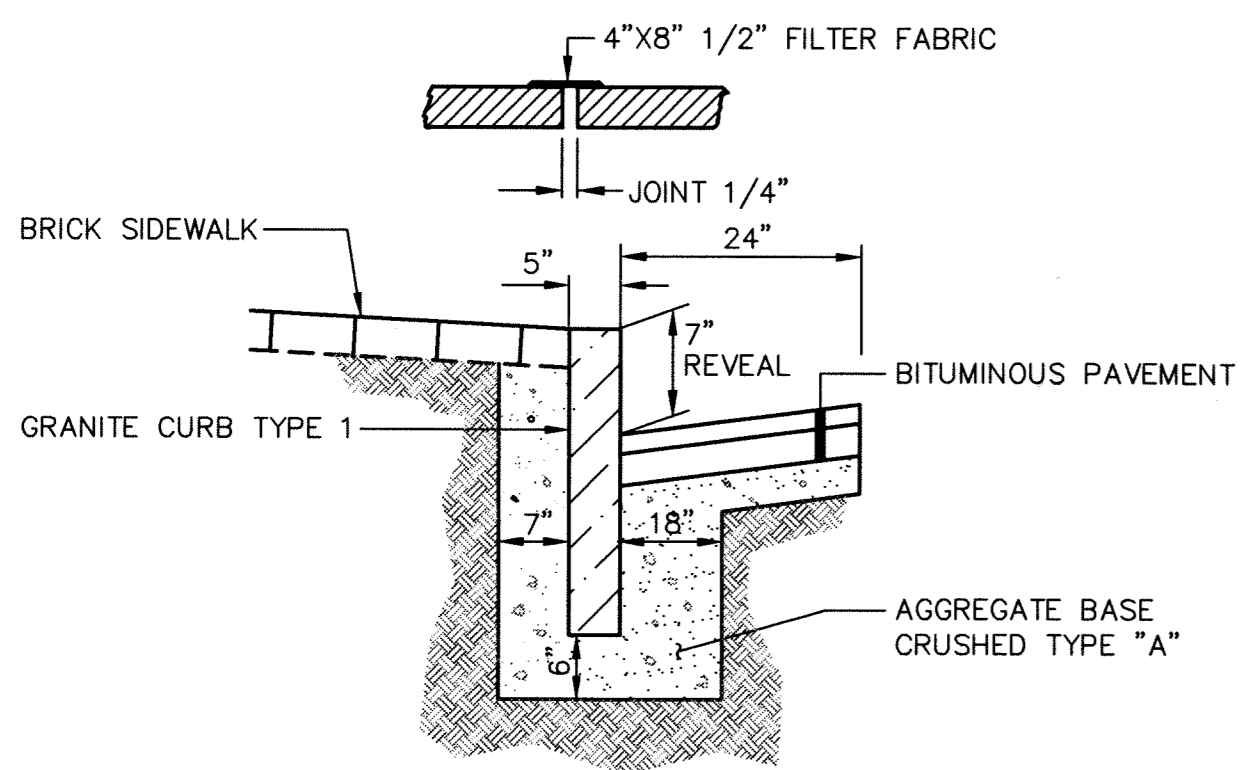
(G) SIDEWALK RAMP DETECTABLE WARNING PANEL
N.T.S.



PERMANENT PAVEMENT
AFTER FREEZE/THAW CYCLE, GRIND TEMPORARY REPAIR AREA PLUS SIX (6) INCHES BEYOND IN ALL DIRECTIONS. MINIMUM OF ONE AND ONE-HALF (1 1/2) INCH DEPTH OVERLAY IN ACCORDANCE WITH CITY REGULATIONS. (TYP.)
TEMPORARY PAVEMENT
PLACED ON WELL COMPACTED BASE OF EXISTING AND NEW MATERIAL. EXTENDS TWELVE (12) INCHES BEYOND EXCAVATION. (TYP.)

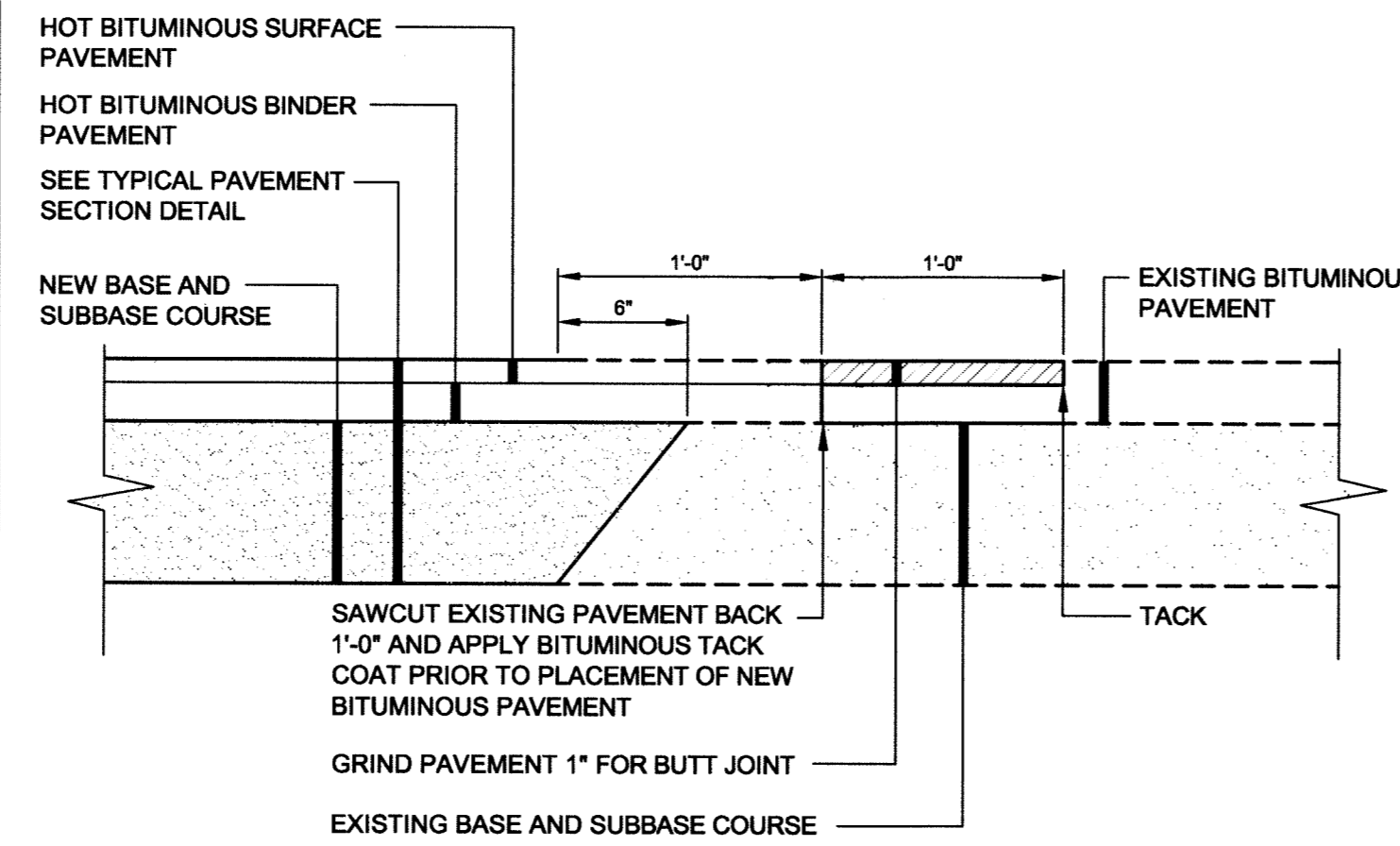
NOTE: AS TAKEN FROM THE CITY OF PORTLAND "RULES AND REGULATIONS FOR EXCAVATION ACTIVITIES IN THE PUBLIC RIGHT OF WAY"

(I) PLAN VIEW OF MINOR EXCAVATION PAVEMENT REPAIR
N.T.S.

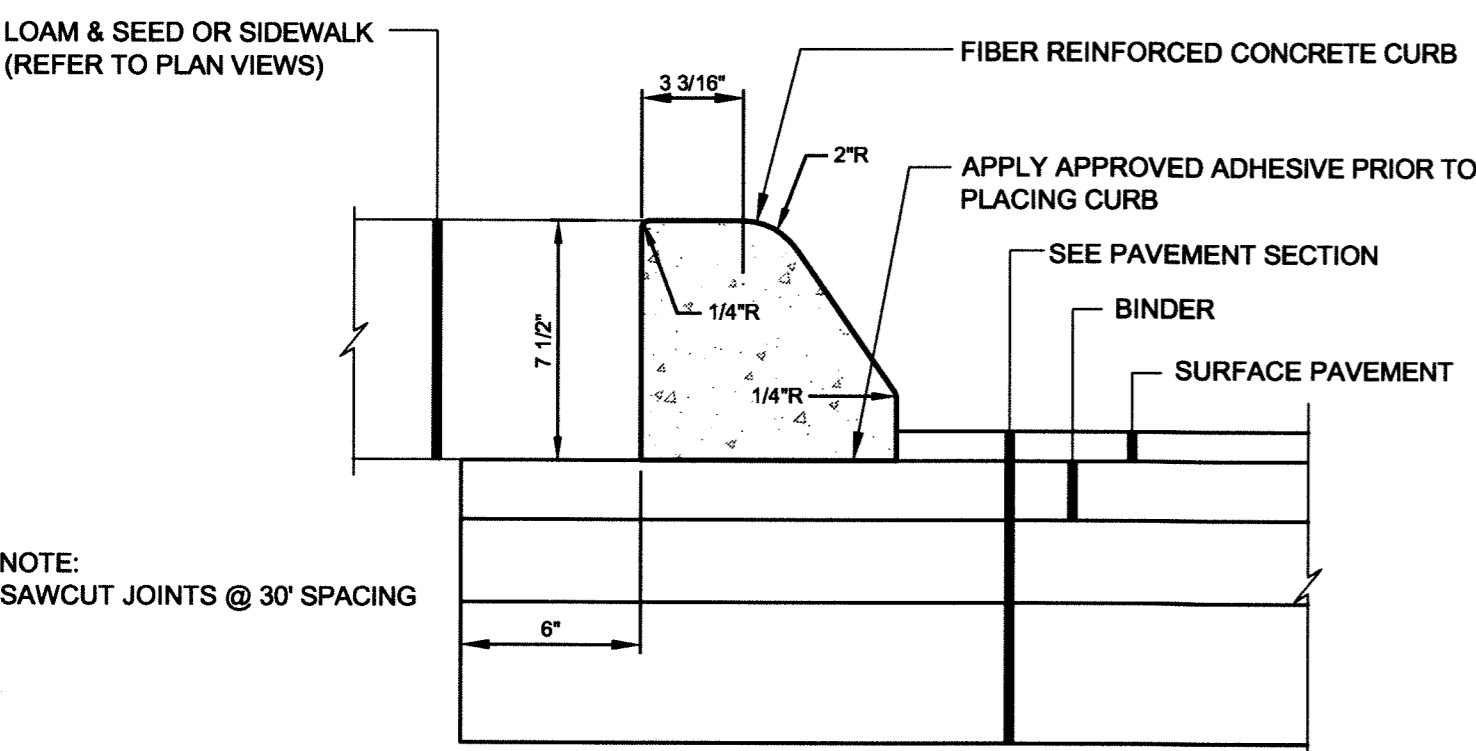


NOTES:
1. MAXIMUM LENGTH OF STRAIGHT CURB STONES = 8'
2. MINIMUM LENGTH OF STRAIGHT CURB STONES = 3'
3. CIRCULAR CURB REQUIRED FOR RADIUS LESS THAN 50'

(B) VERTICAL GRANITE CURB
N.T.S.

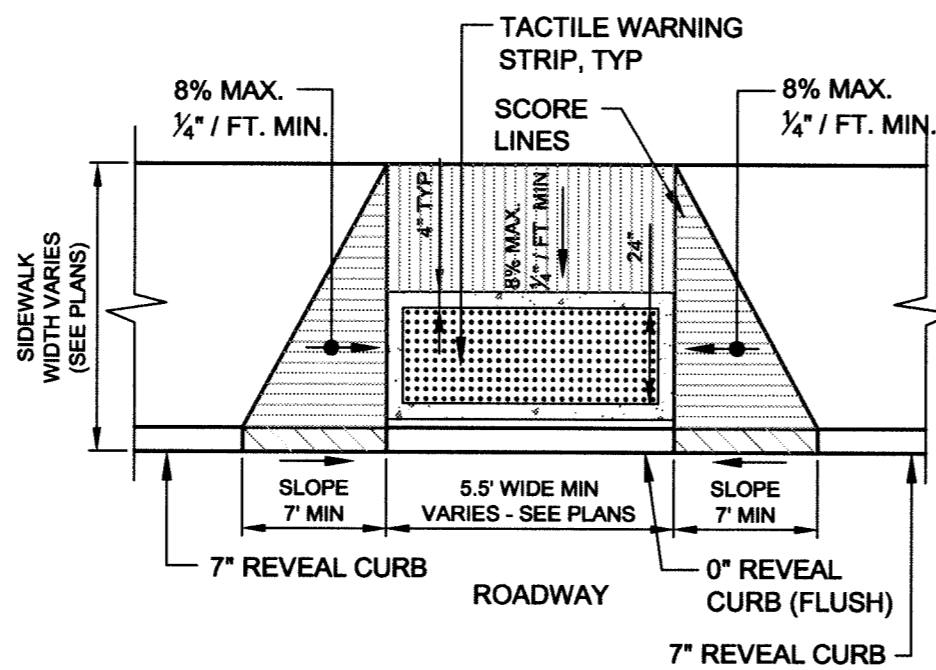


(E) PAVEMENT SAWCUT DETAIL
N.T.S.



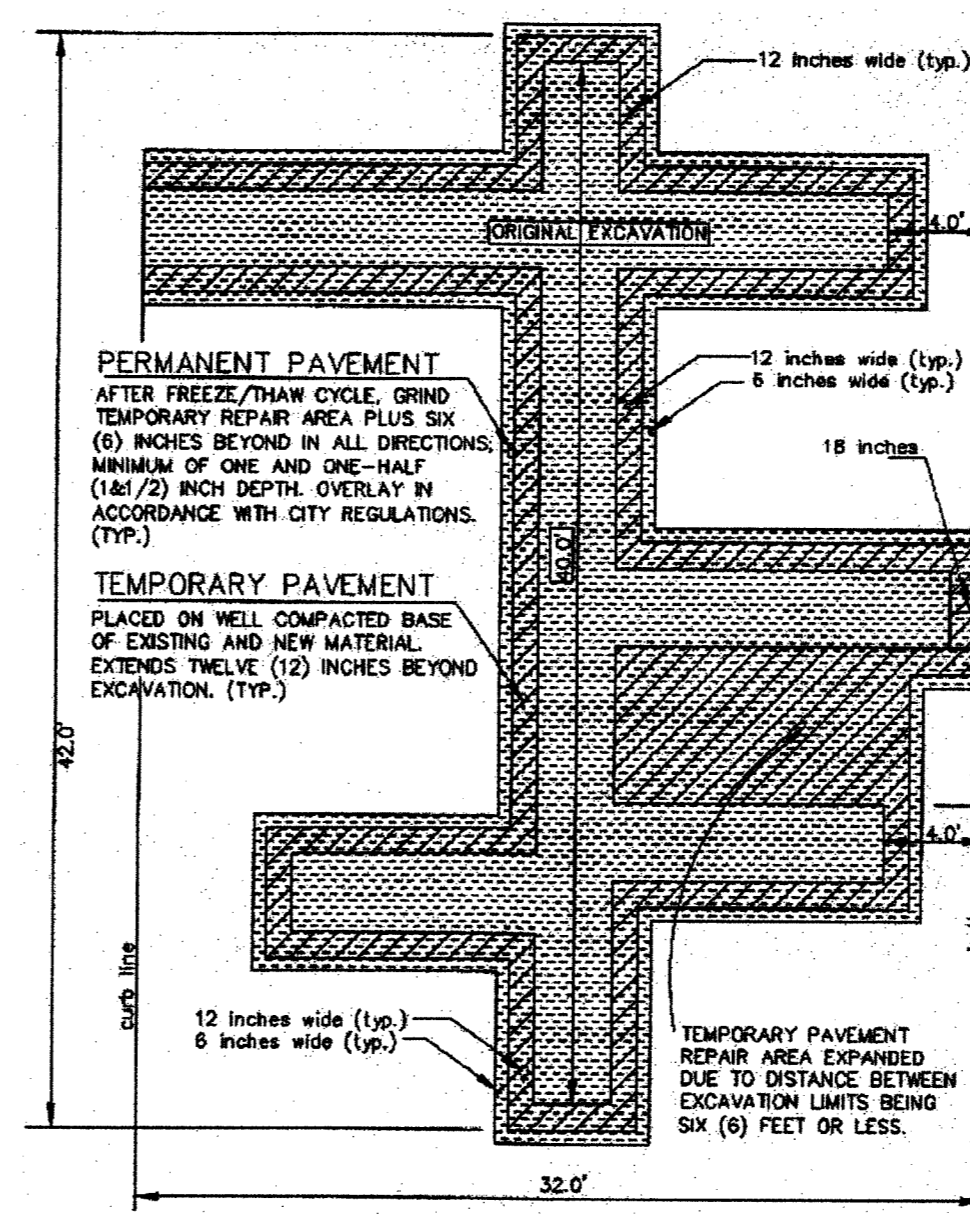
NOTE: SAWCUT JOINTS @ 30' SPACING

(C) STANDARD DUTY SLIPFORM CONCRETE CURB
N.T.S.



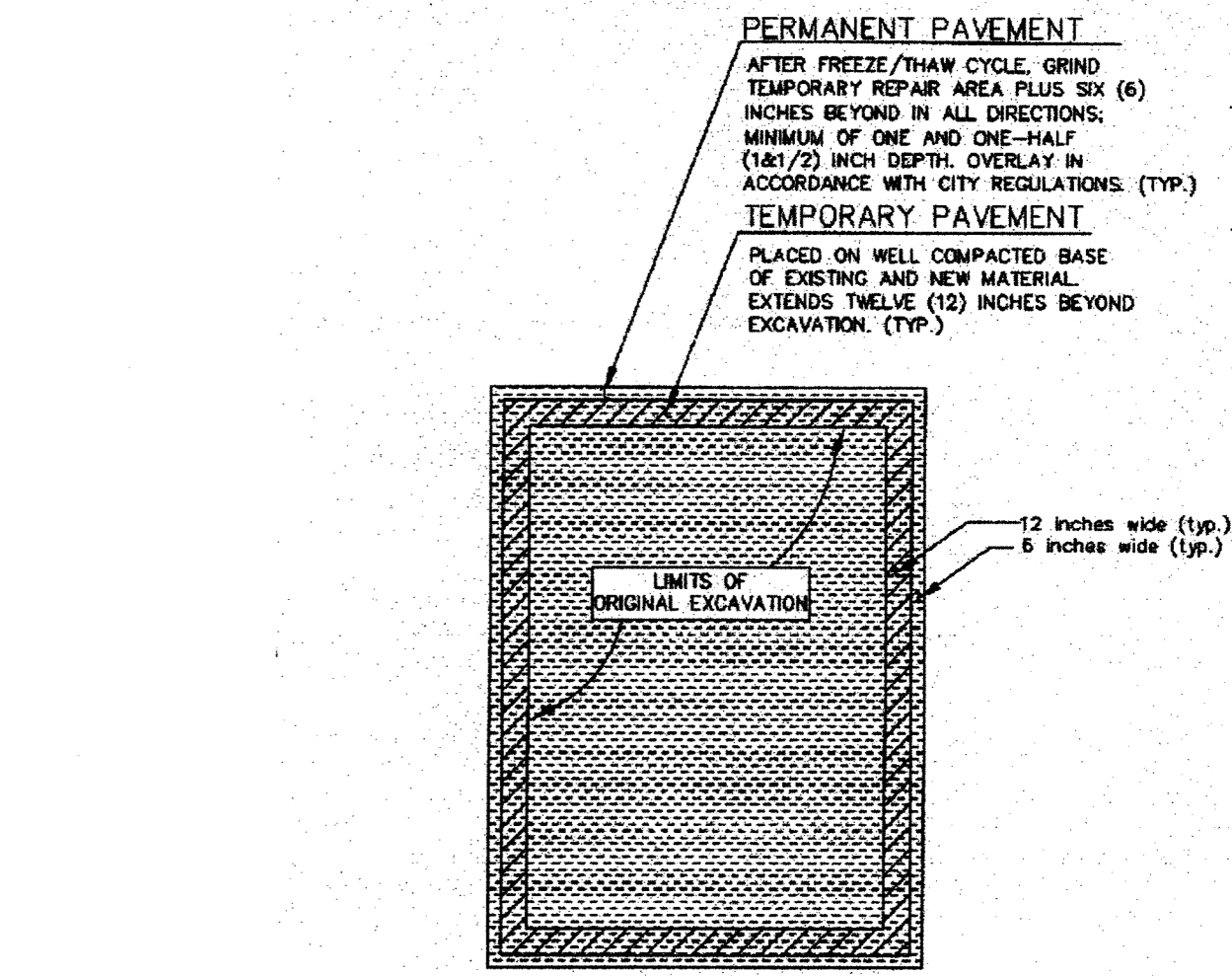
NOTE:
1. RAMP SHALL BE CONSTRUCTED IN ACCORDANCE WITH AMERICANS WITH DISABILITIES ACT (ADA).
2. ALL RAMP WITHIN THE TOWN OF SCARBOROUGH RIGHT-OF-WAY (U.S. ROUTE ONE AND LINCOLN AVENUE) SHALL HAVE DETECTABLE WARNINGS THE FULL DEPTH AND WIDTH OF THE RAMP PER SECTION 4.29 OF THE ADA. DETECTABLE WARNINGS SHALL CONSIST OF RAISED TRUNCATED DOMES A DIAMETER OF 0.90 INCHES, A HEIGHT OF NOMINAL 0.20 INCHES AND A SPACING OF 2.35 INCHES CENTER TO CENTER. THESE SHALL CONTRAST VISUALLY WITH ADJOINING SURFACES.
3. A TACTILE WARNING STRIP IS REQUIRED WHERE RAMP ABUTS AREA USED BY MOTORIZED VEHICLES.

(F) BARRIER FREE RAMP DETAILS
N.T.S.



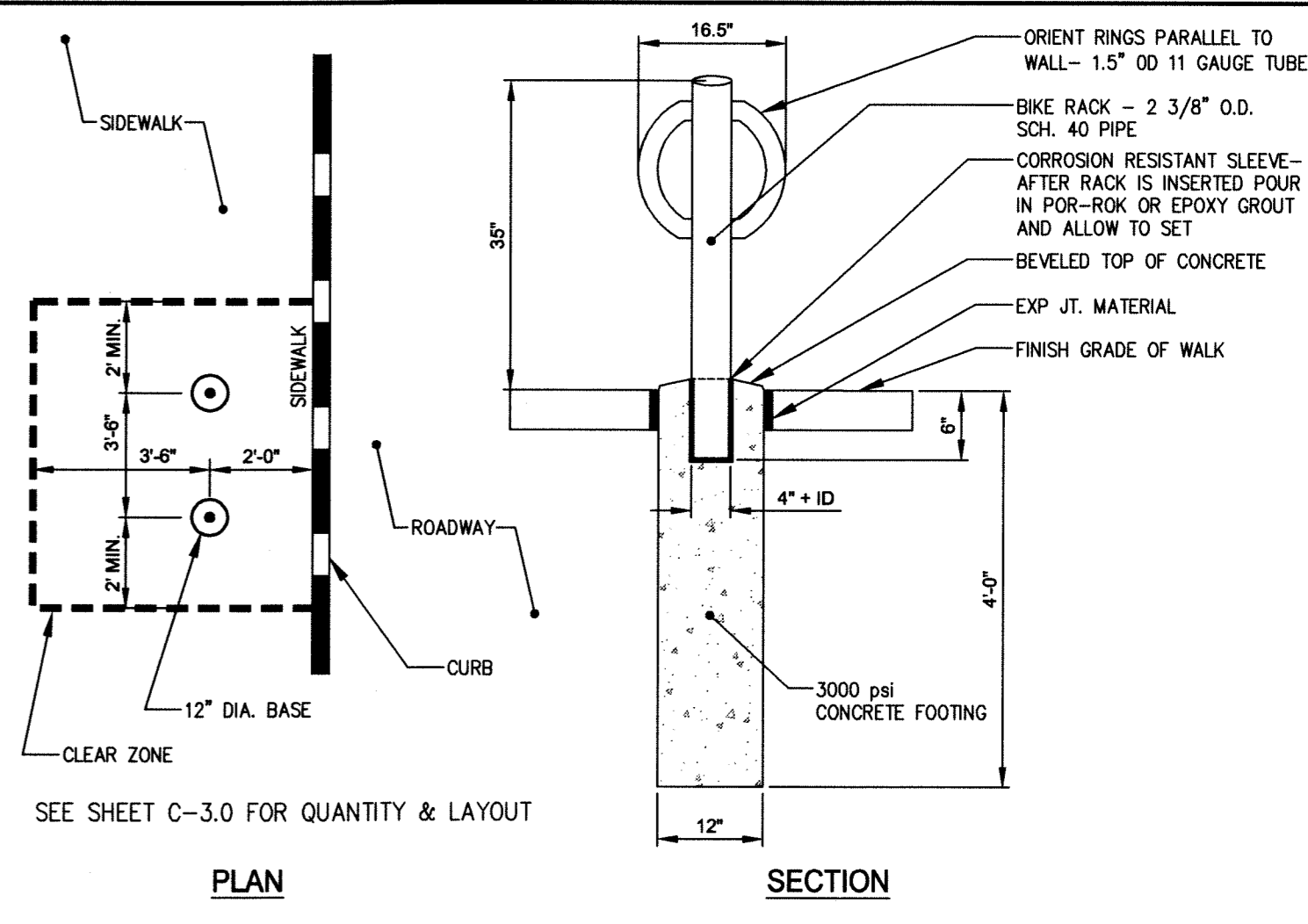
NOTE: AS TAKEN FROM THE CITY OF PORTLAND "RULES AND REGULATIONS FOR EXCAVATION ACTIVITIES IN THE PUBLIC RIGHT OF WAY"

(H) PLAN VIEW OF MAJOR EXCAVATION PAVEMENT REPAIR
N.T.S.



NOTE: AS TAKEN FROM THE CITY OF PORTLAND "RULES AND REGULATIONS FOR EXCAVATION ACTIVITIES IN THE PUBLIC RIGHT OF WAY"

(J) PLAN VIEW OF MINOR EXCAVATION PAVEMENT REPAIR
N.T.S.

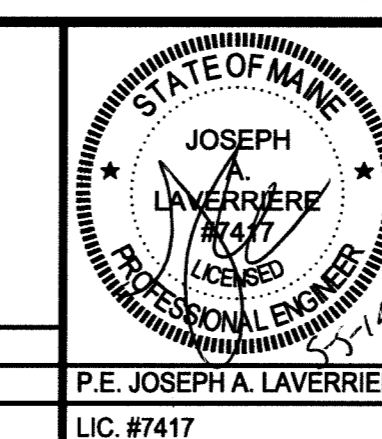


(K) BIKE HITCH MOUNTING DETAIL
N.T.S.

MFR: DERO BIKE RACKS
IN-GROUND MOUNT
POWDER COAT FINISH
COLOR: BLACK
WWW.DERO.COM
1-800-298-4915

PRELIMINARY - NOT FOR CONSTRUCTION

REV	DATE	DESCRIPTION	REVISIONS
1	05.05.14	SUBMITTED TO CITY	



PROJECT: 185 FORE STREET PORTLAND, MAINE
SHEET TITLE: PAVEMENT, CURB & SIDEWALK DETAILS
CLIENT: BATEMAN PARTNERS LLC

FST
FAY, SPOFFORD & THORNDIKE
ENGINEERS - PLANNERS - SCIENTISTS
778 MAIN ST, SUITE 8, SOUTH PORTLAND, ME 04106
DRAWN: CDD DATE: MAY 2014
DESIGNED: JAL SCALE: N.T.S.
CHECKED: JAL JOB NO.: SP-M150-DET
FILE NAME: SP-M150-DET
SHEET: C-6.0