

**HEMisphere
DESIGN**

Architecture
58 Fore Street
Portland, ME 04101
207.232.6079
joe@hemisphere-design.com
www.hemisphere-design.com

PROSPECT

DESIGN

58 FORE ST. PORTLAND, ME
www.prospectdesign.me
T. 207-749-7400



**BENNETT
ENGINEERING**
MECHANICAL • ELECTRICAL
(207) 865-9475

NINE STONES TENANT FIT-UP
185 FORE STREET
BATEMAN PARTNERS, LLC
PORTLAND BUILDERS INC

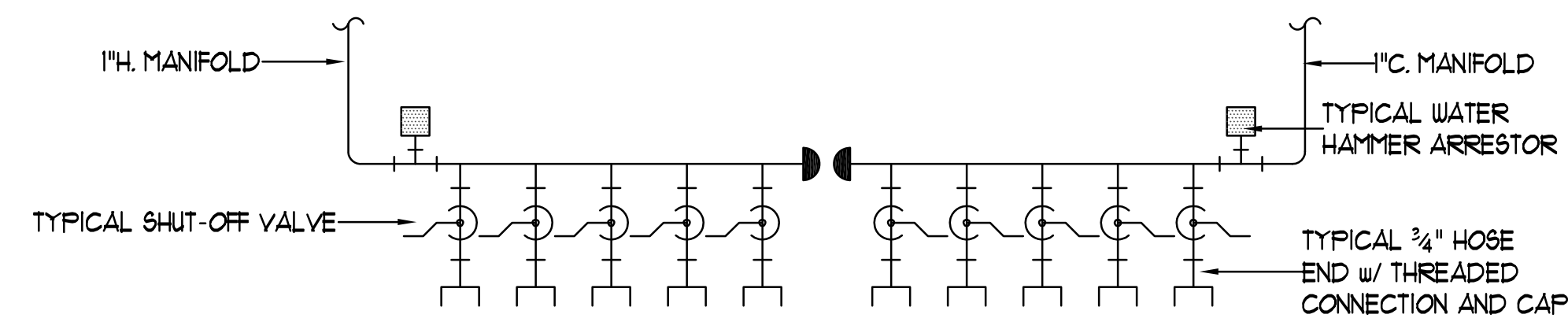
SHEET TITLE

PERMIT

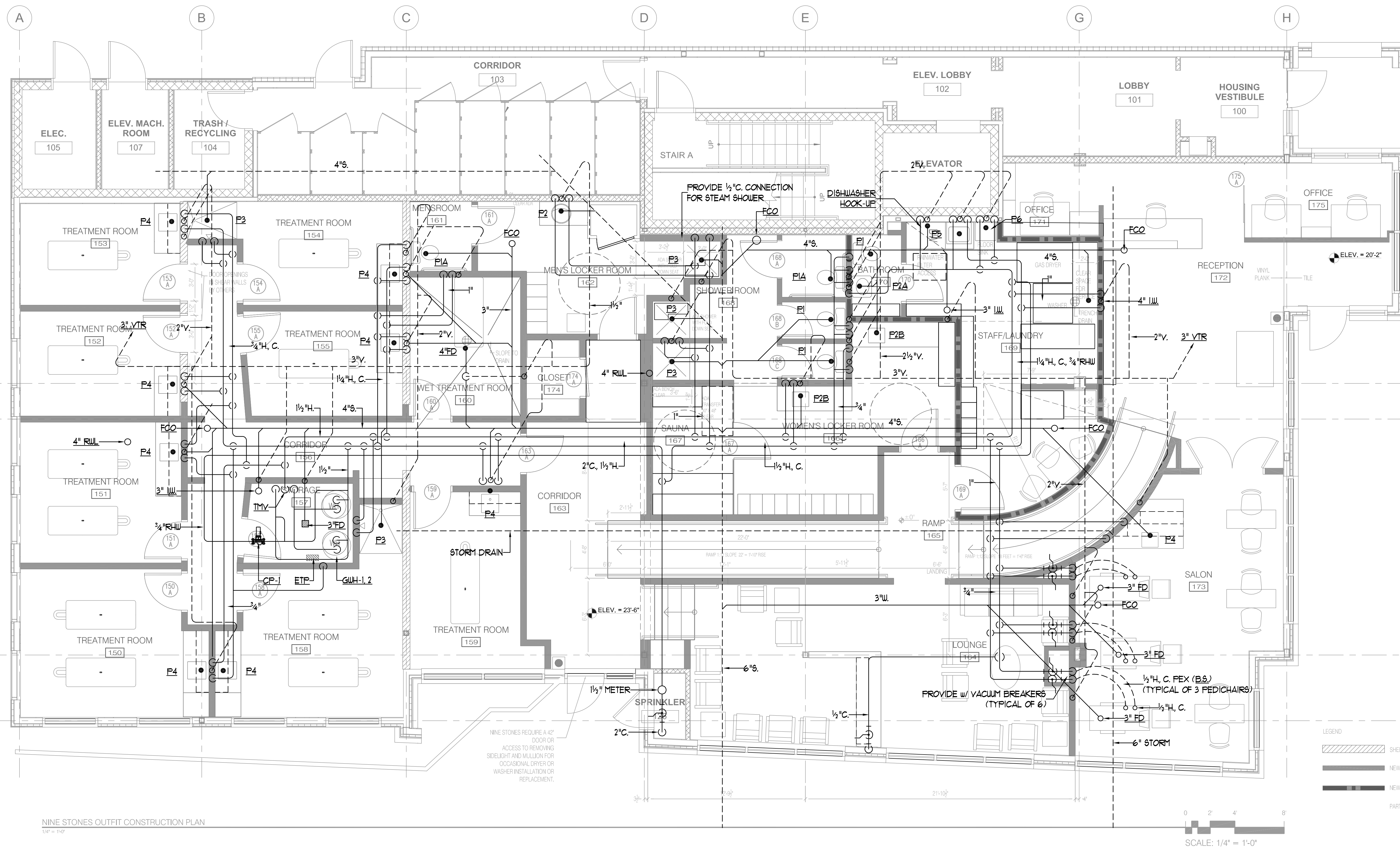
REVISION

DRAWN BY:

DATE: January 14, 2016



Water Piping Detail @ Washing Machine
N.T.S.



NINE STONES OUTFIT CONSTRUCTION PLAN
1/4" = 1'-0"

P1