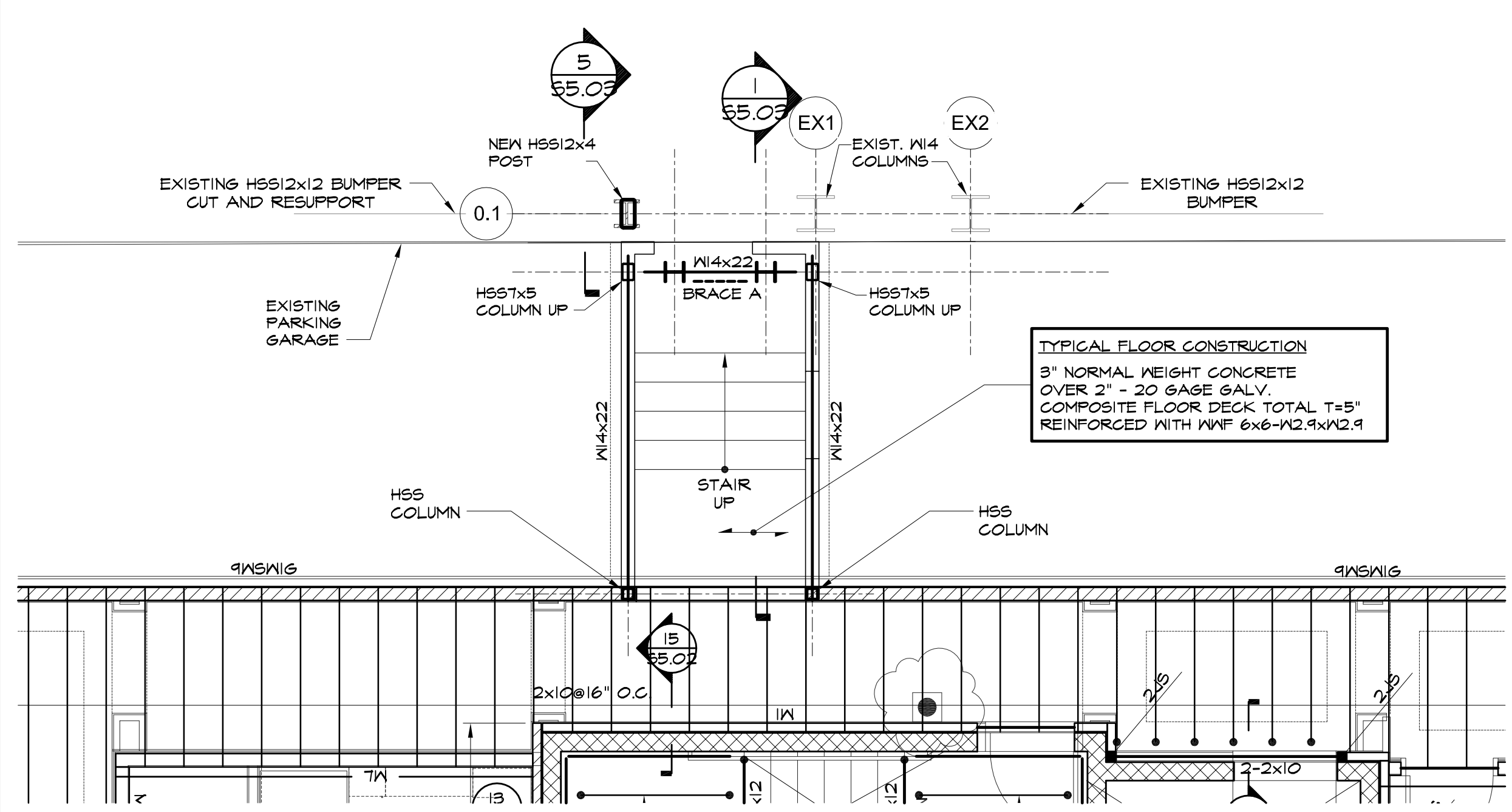
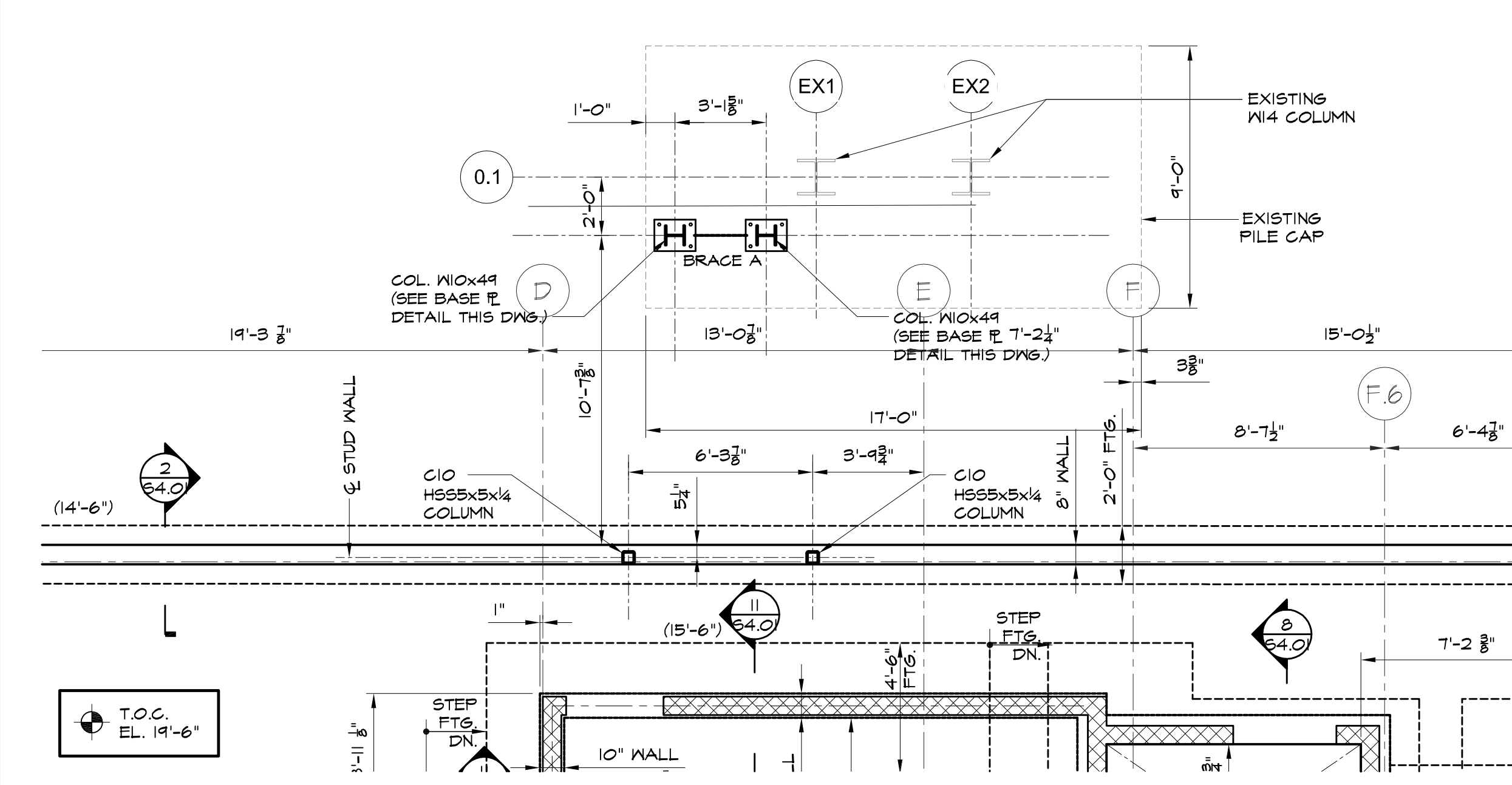


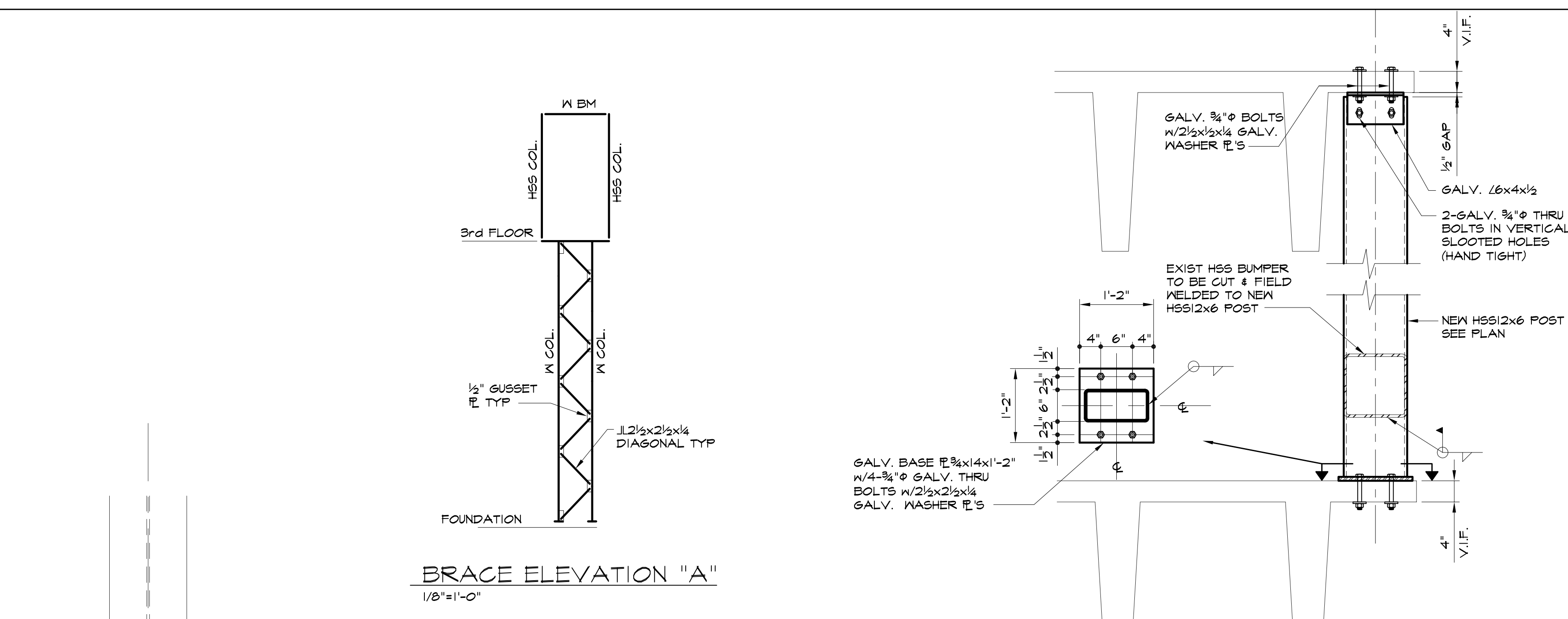
BRIDGE ROOF FRAMING PLAN
1/4"=1'-0"



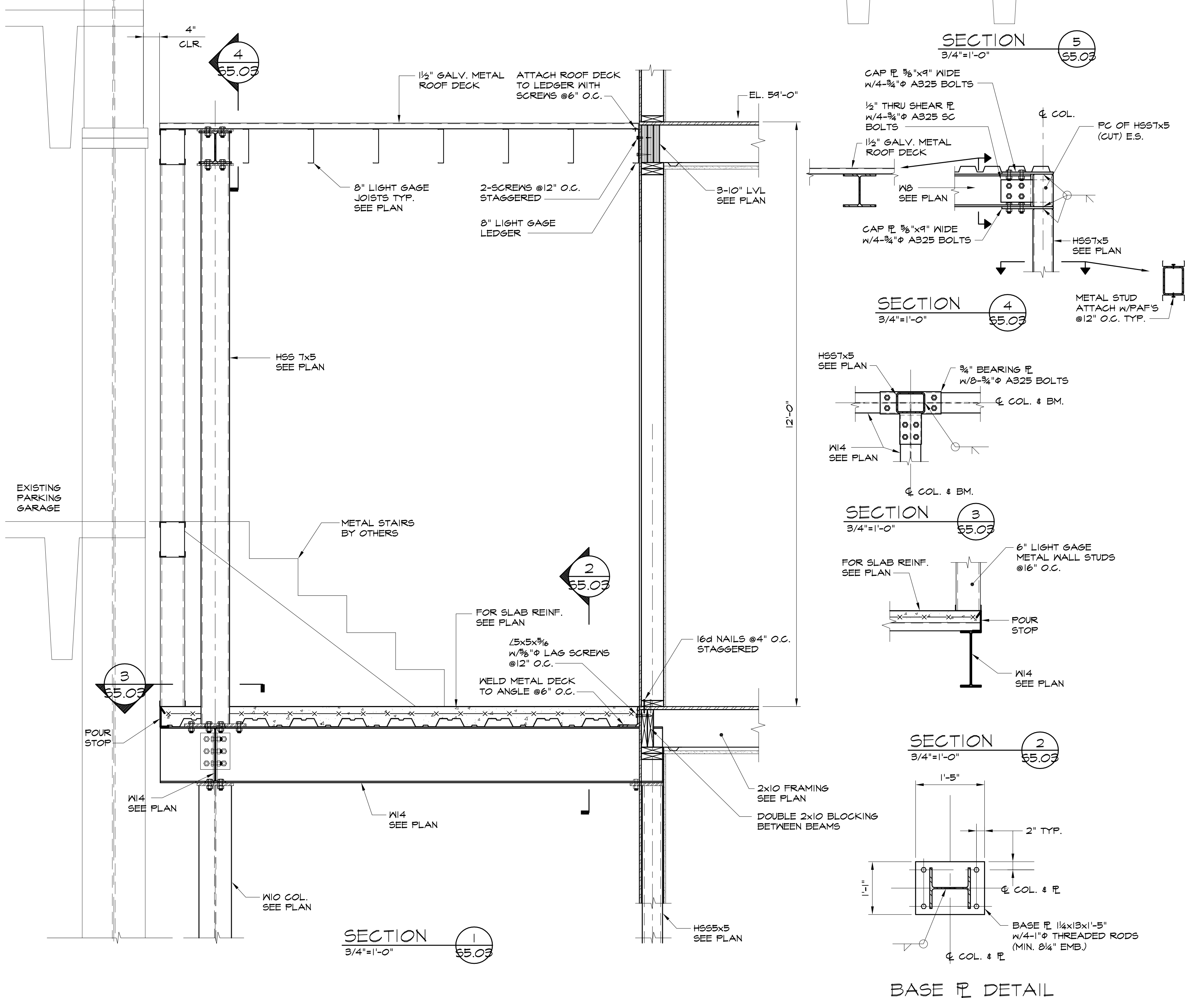
BRIDGE THIRD FLOOR FRAMING PLAN
1/4"=1'-0"



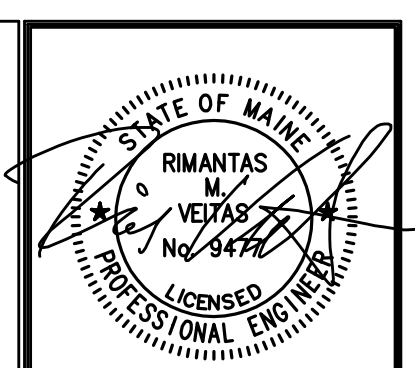
BRIDGE FOUNDATION PLAN
1/4"=1'-0"



BRACE ELEVATION "A"
1/8"=1'-0"



BASE PLATE DETAIL
3/4"=1'-0"



Prepared For:
BATEMAN PARTNERS, LLC.
470 FORE STREET
PORTLAND, ME 04101

Consultant:
VEITAS VEITAS architects
620 Grand Street, Suite 10184
Portland, ME 04101
TEL: (207) 772-6022 FAX: (207) 772-4056

Architect:
ARCHITECTURE architects
48 Union Wharf Portland, Maine 04101
(207) 772-6022 Fax (207) 772-4056

Project:
185 FORE STREET
185 Fore Street, Portland Maine

Revisions:
1 | 05-22-2015 | BID SET
2 | 11-06-2015 | ADDENDUM #3

Date:
16 JUNE, 2014

Scale:
DATE

S5.03