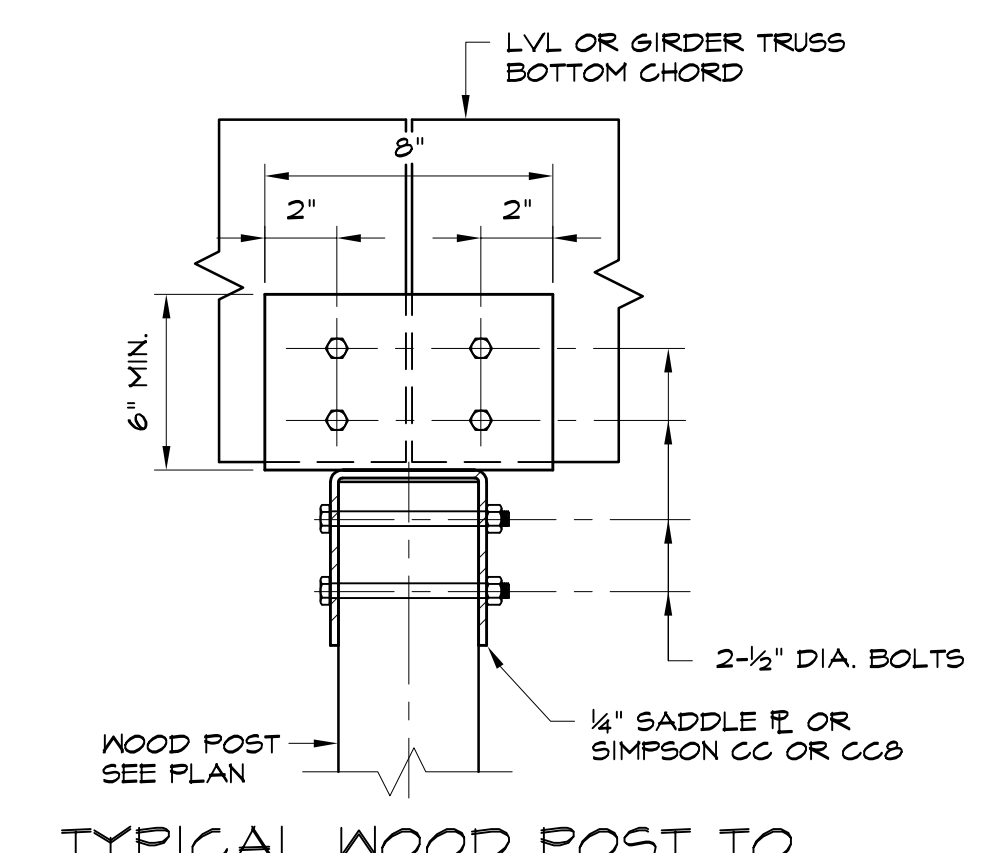
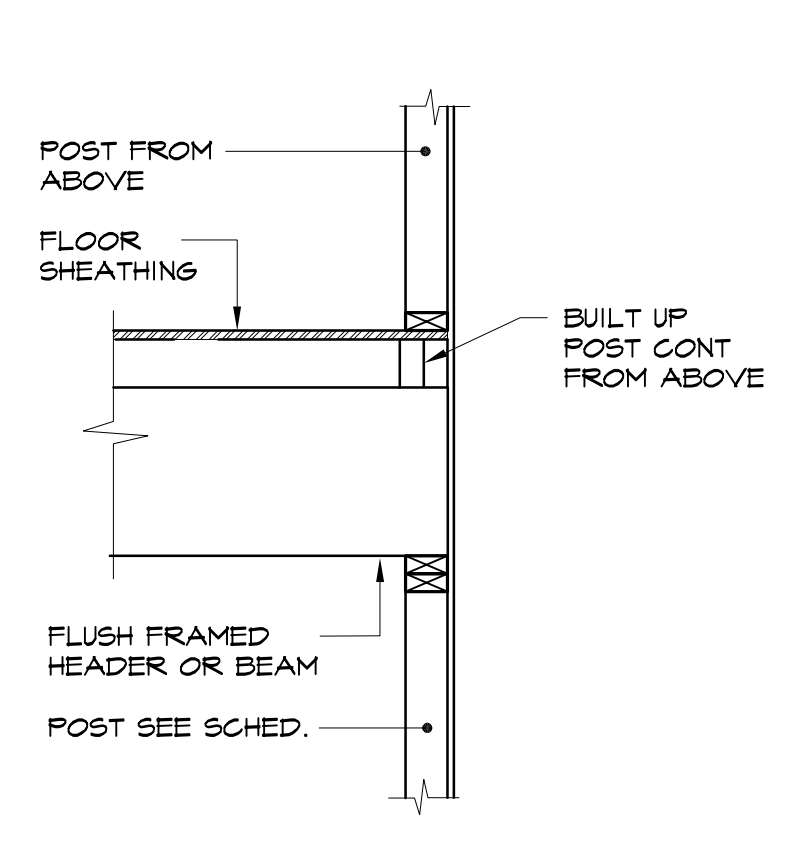


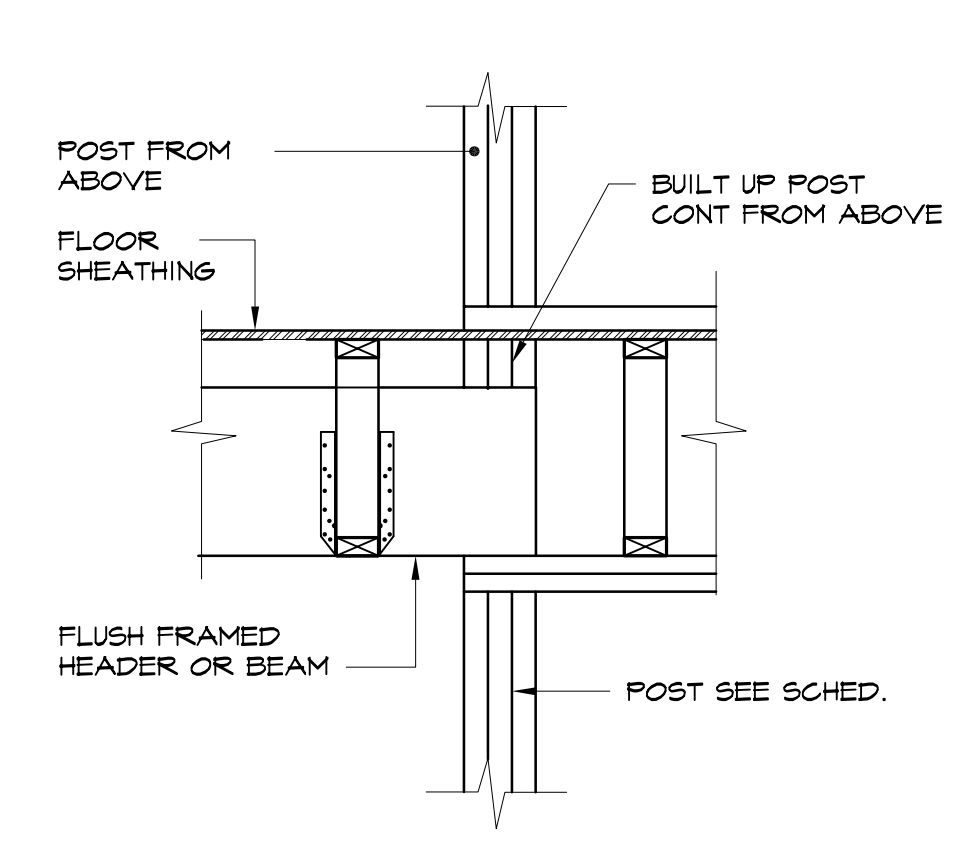
TYPICAL MULTIPLE PLY LVL BEAM DETAIL



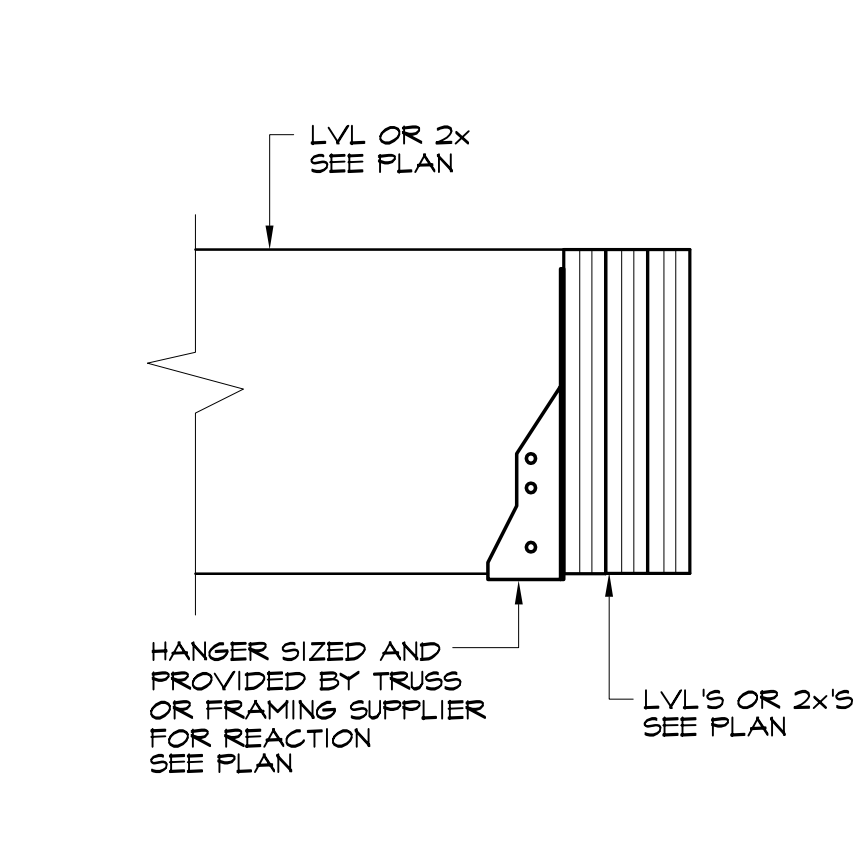
TYPICAL WOOD POST TO
LVL/GIRDER TRUSS DETAIL



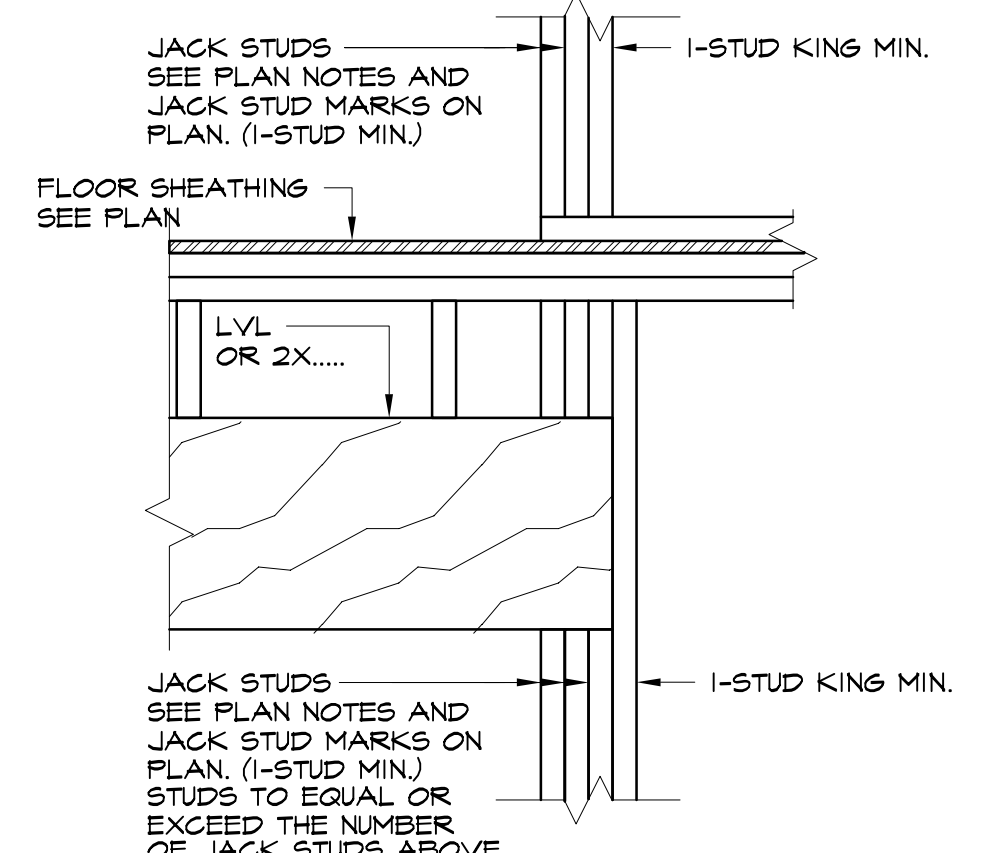
POST IN WALL



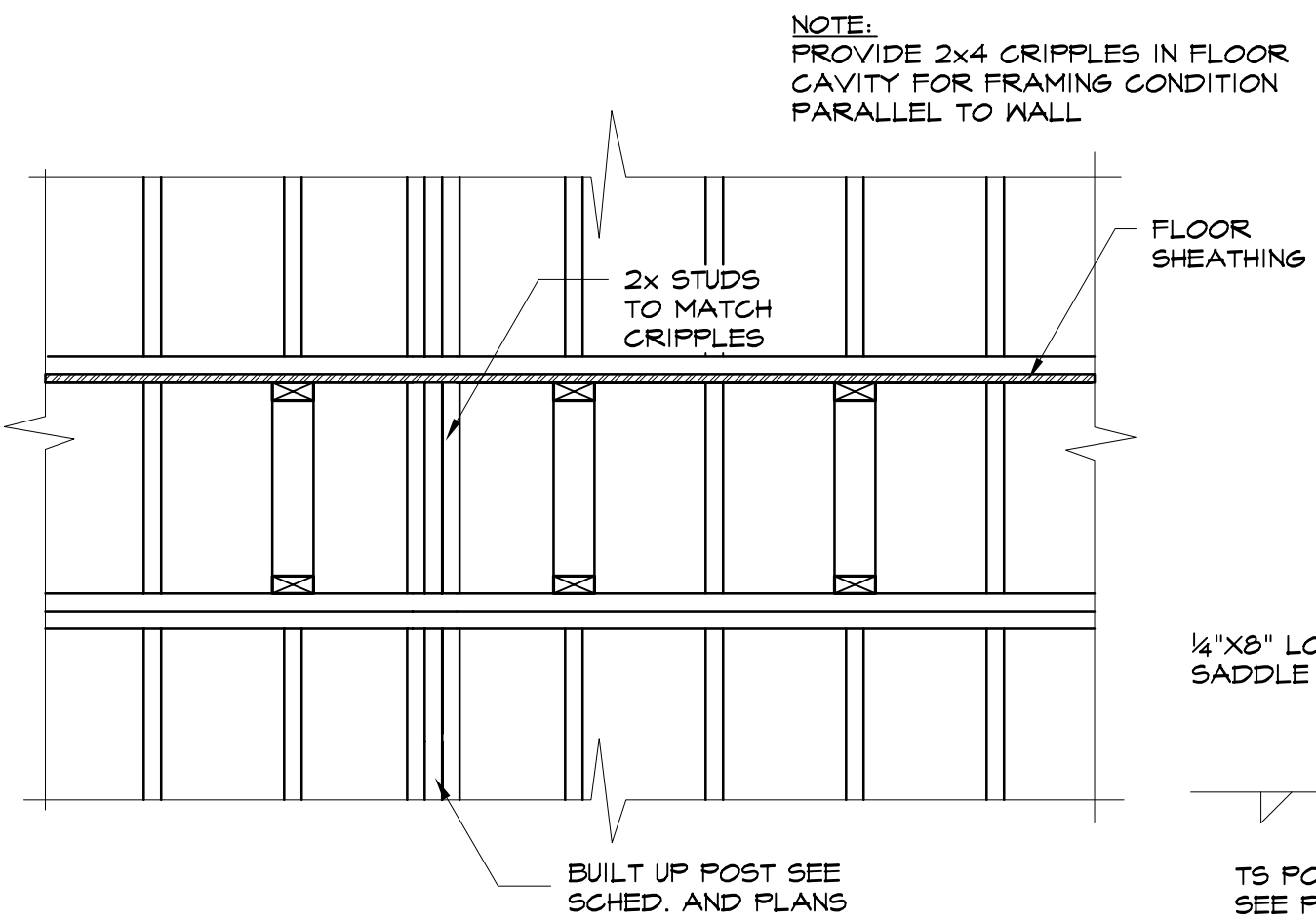
POST AT END OF WALL



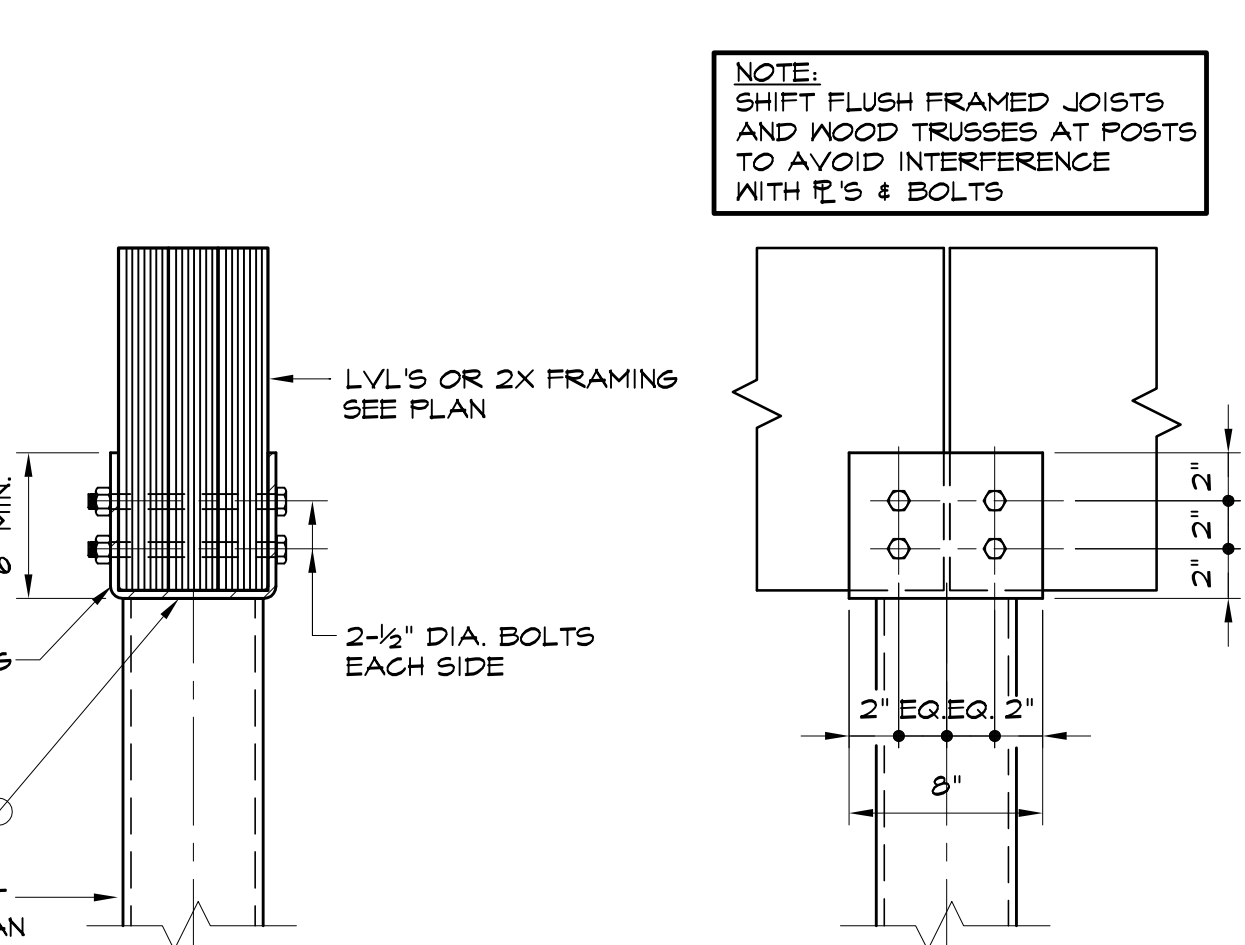
LVL OR 2x HANGER DETAIL



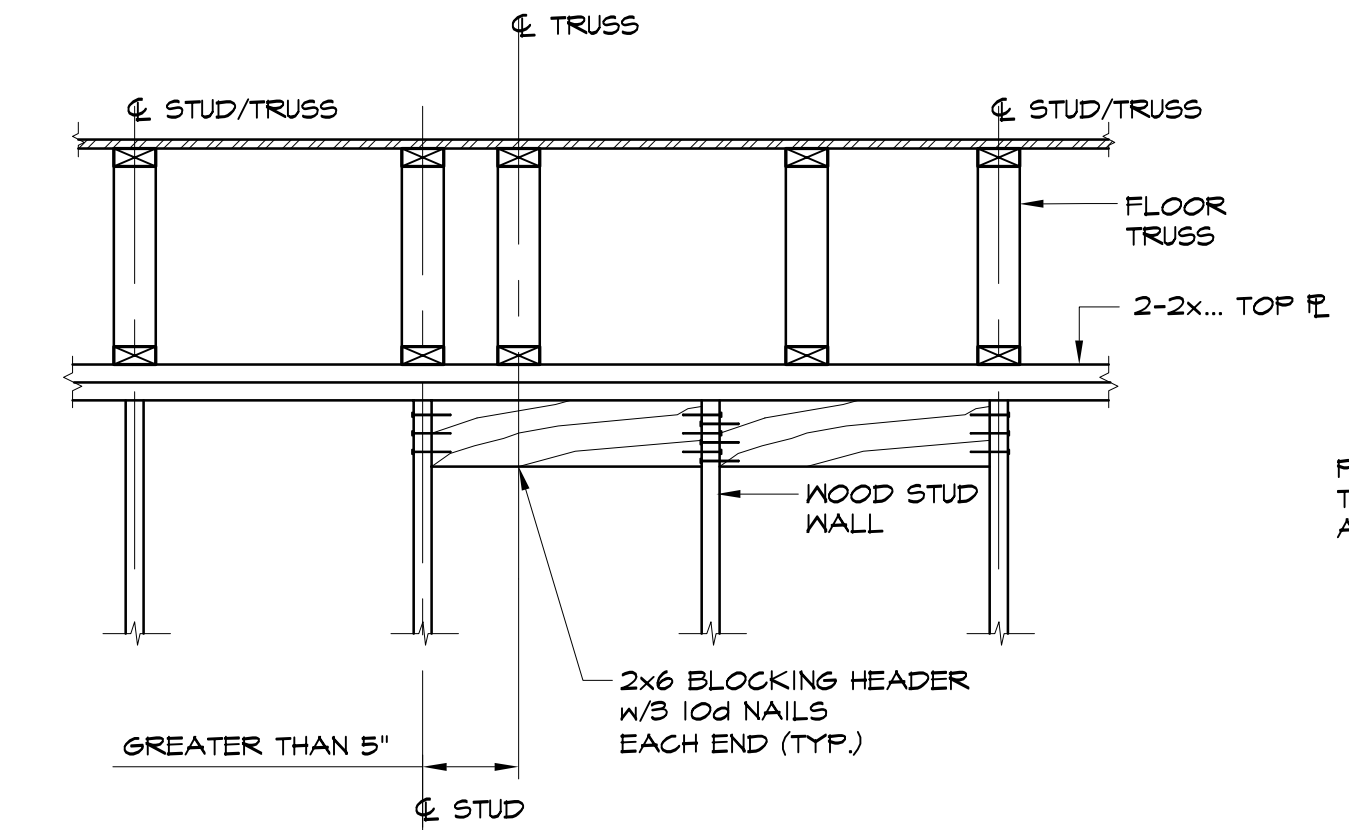
TYPICAL JACK STUD DETAIL



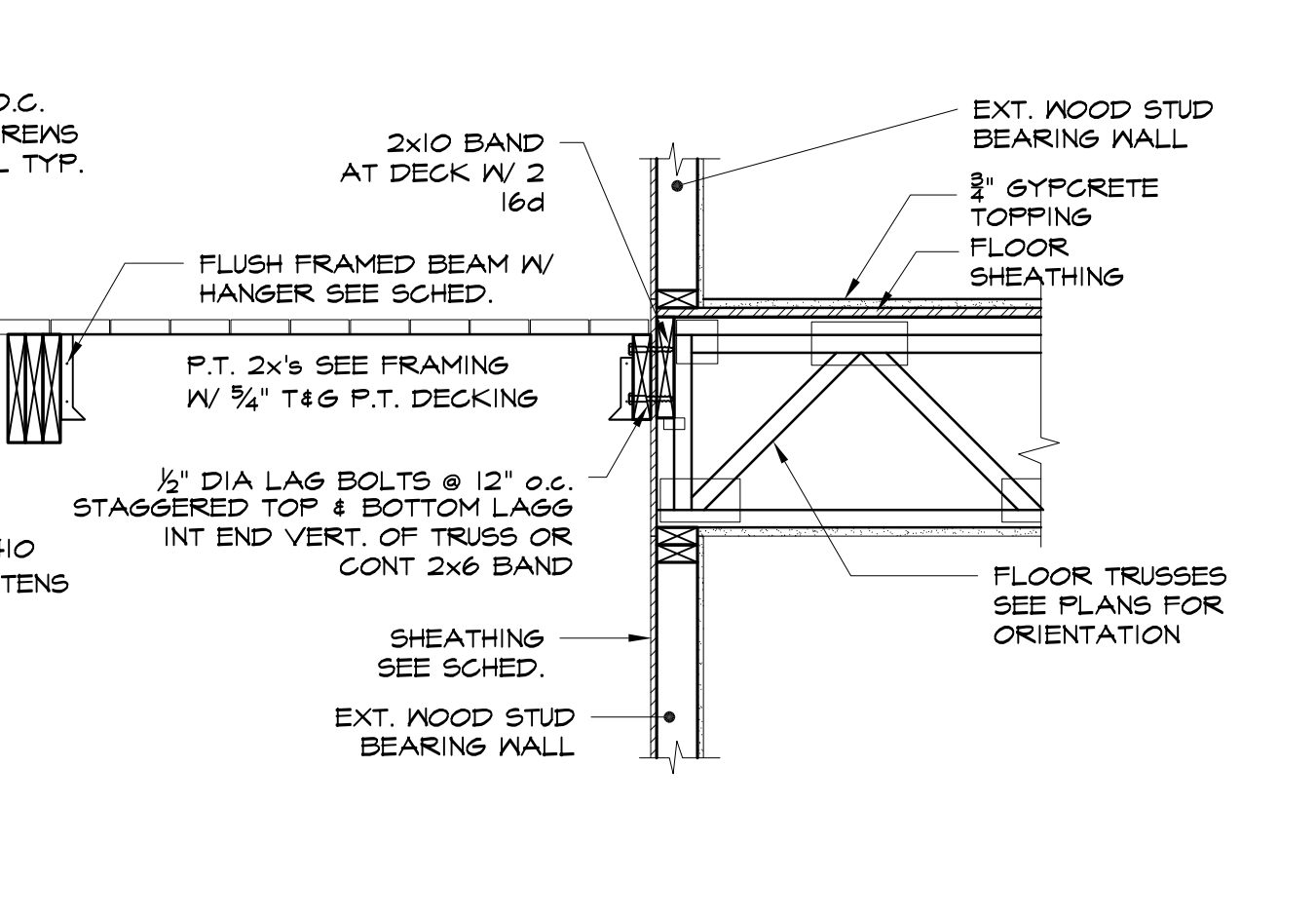
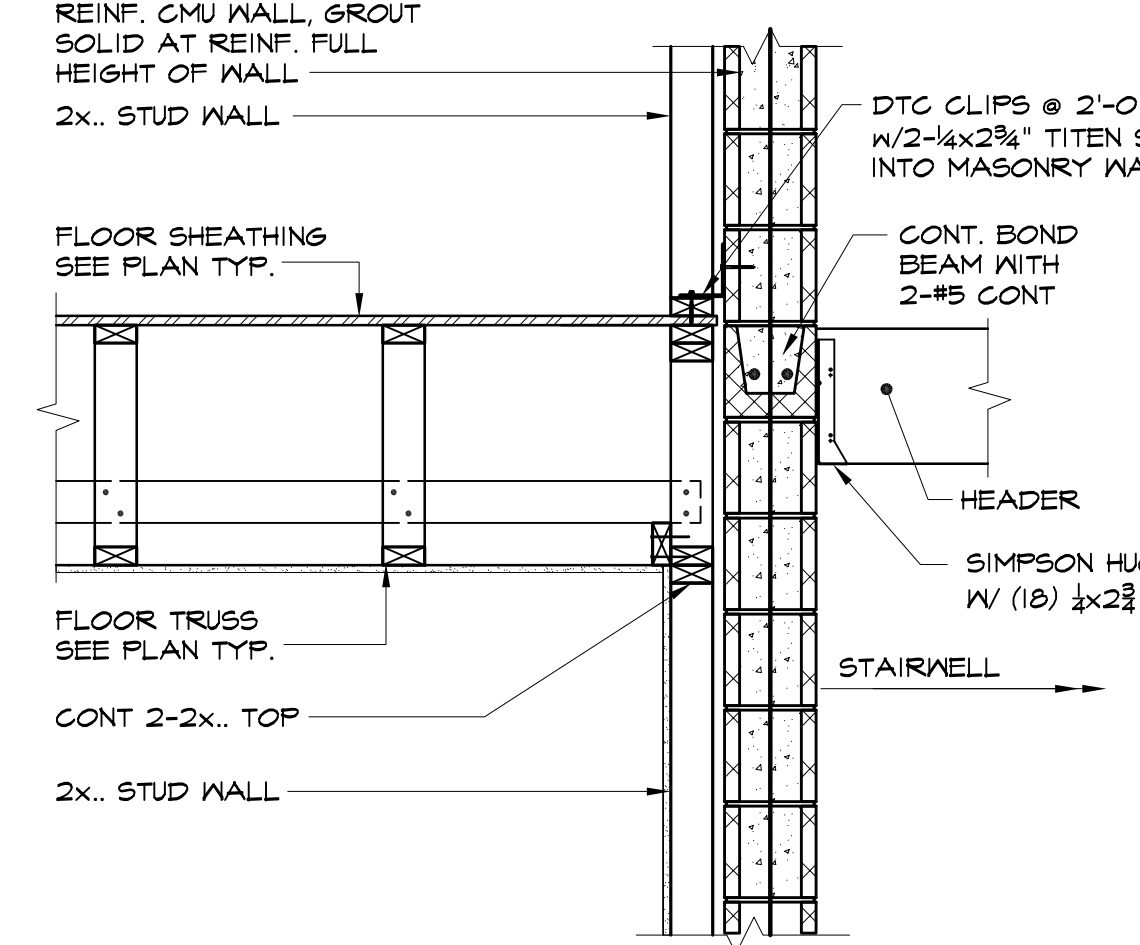
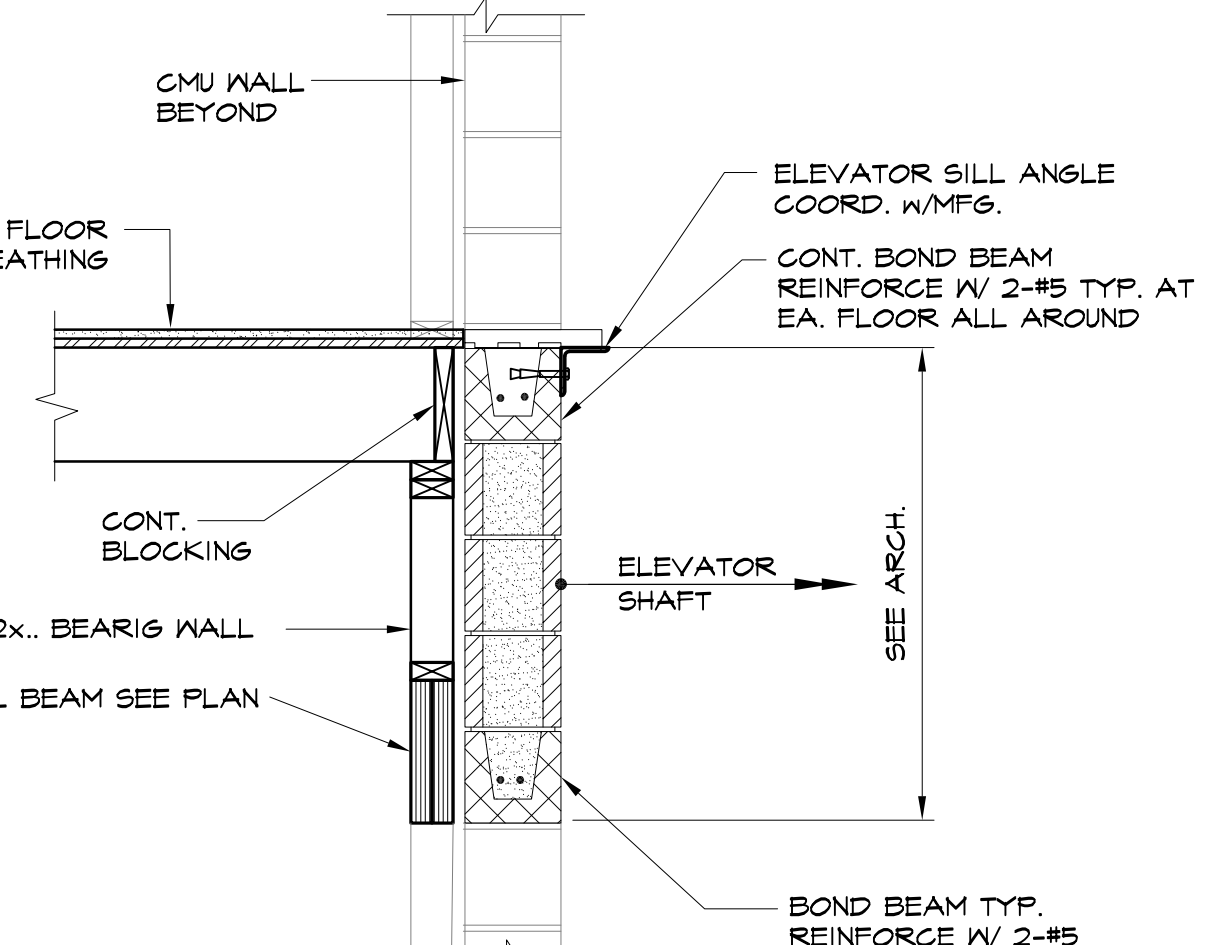
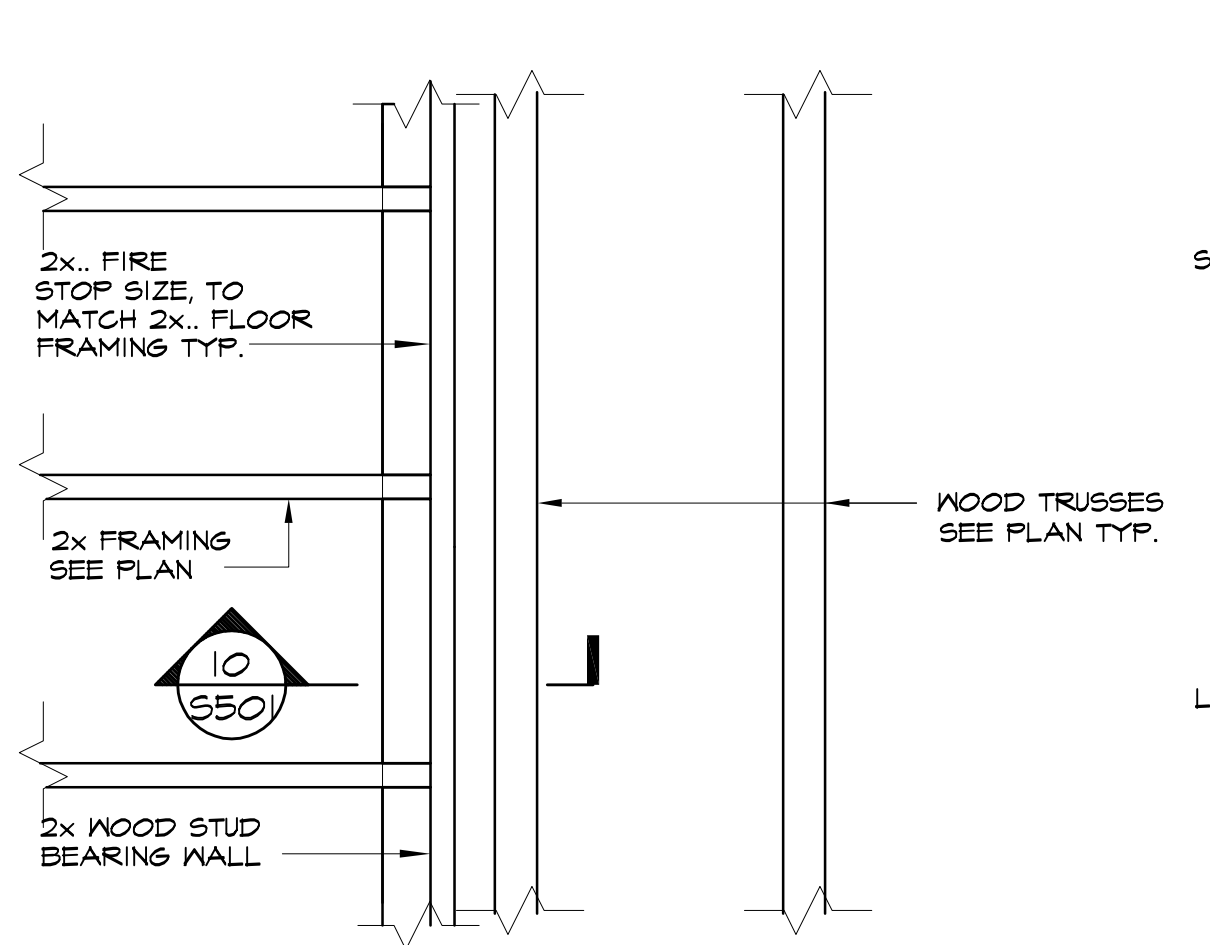
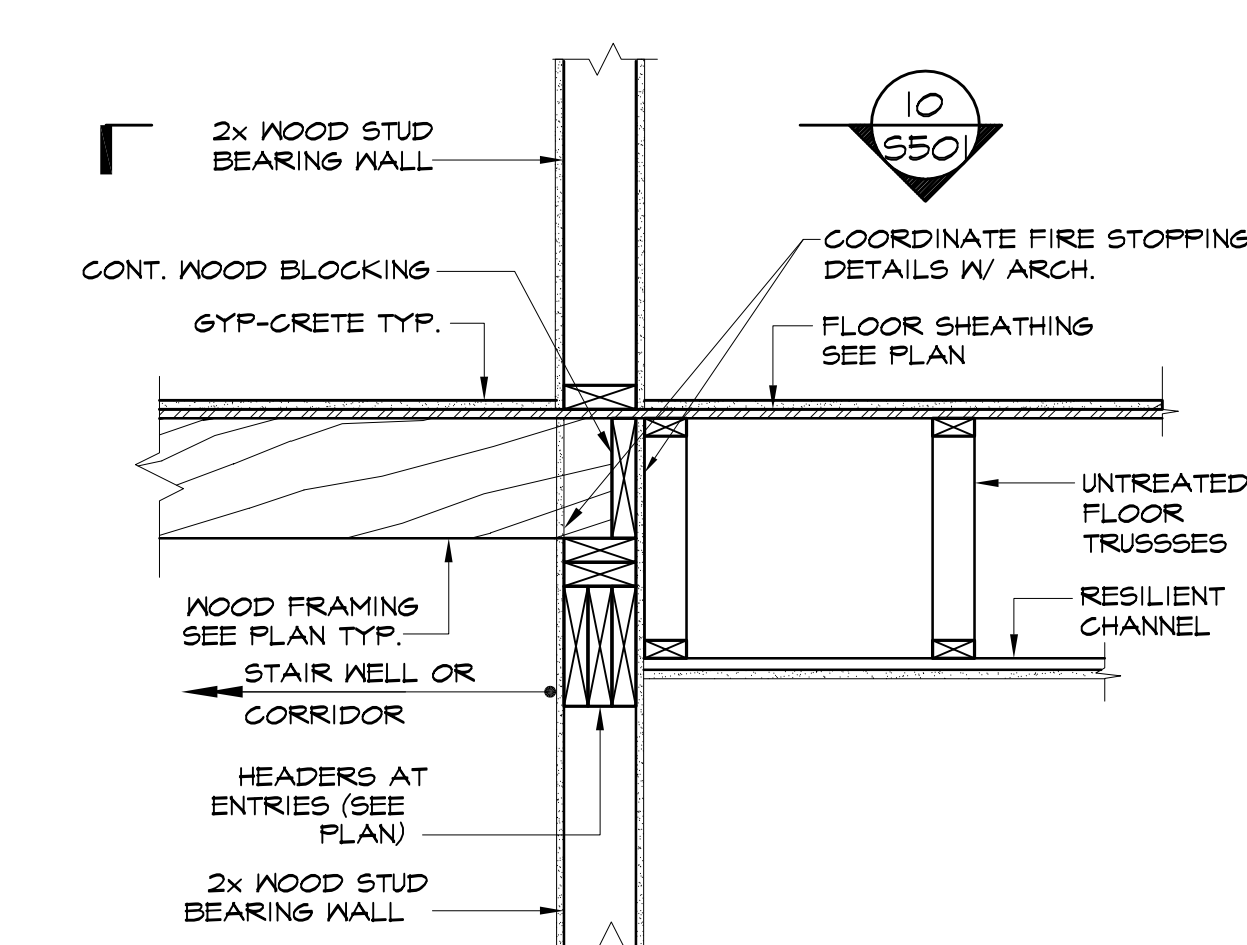
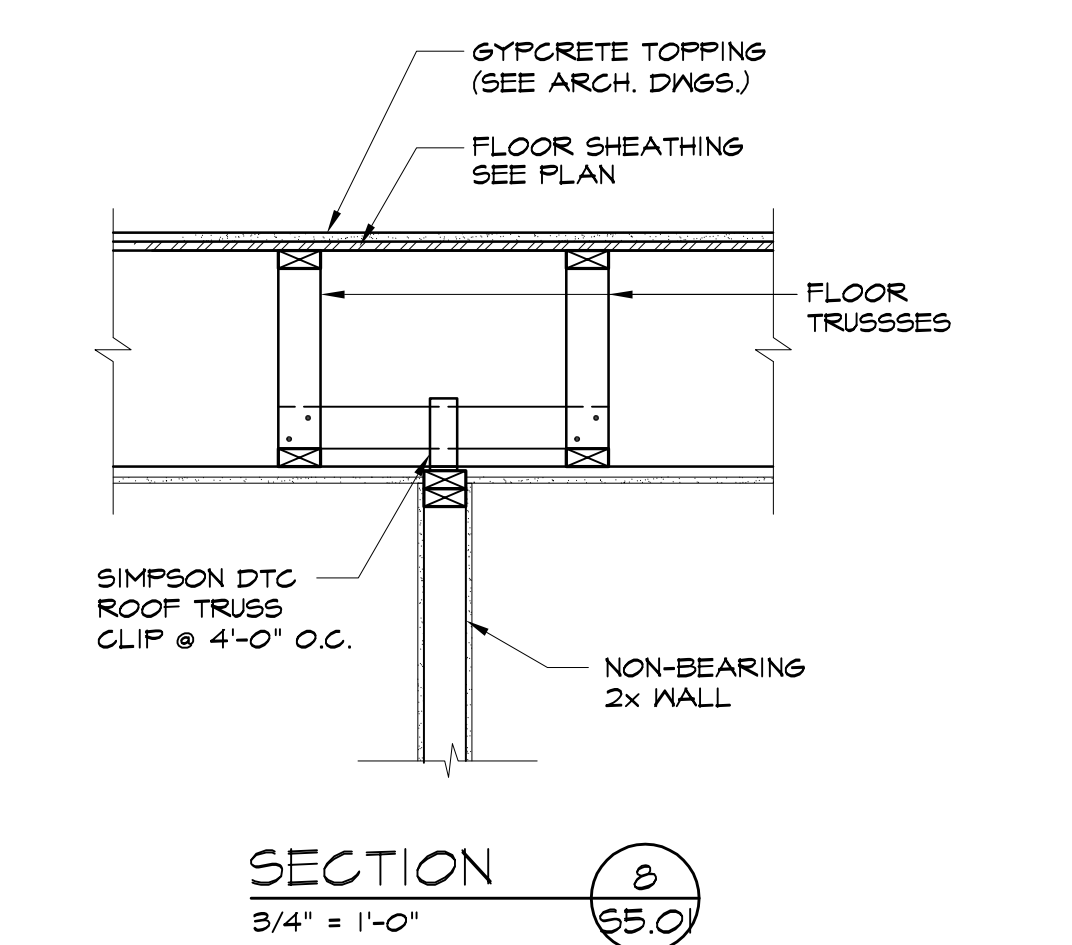
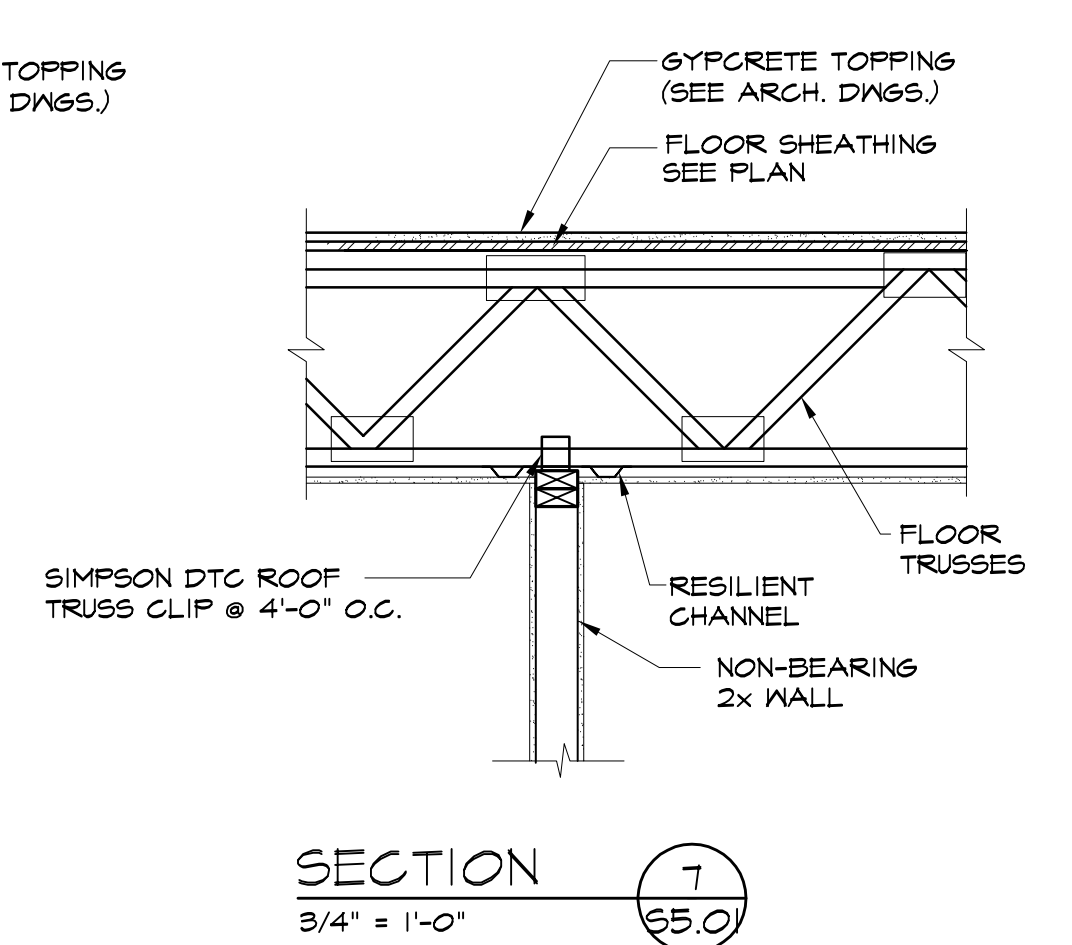
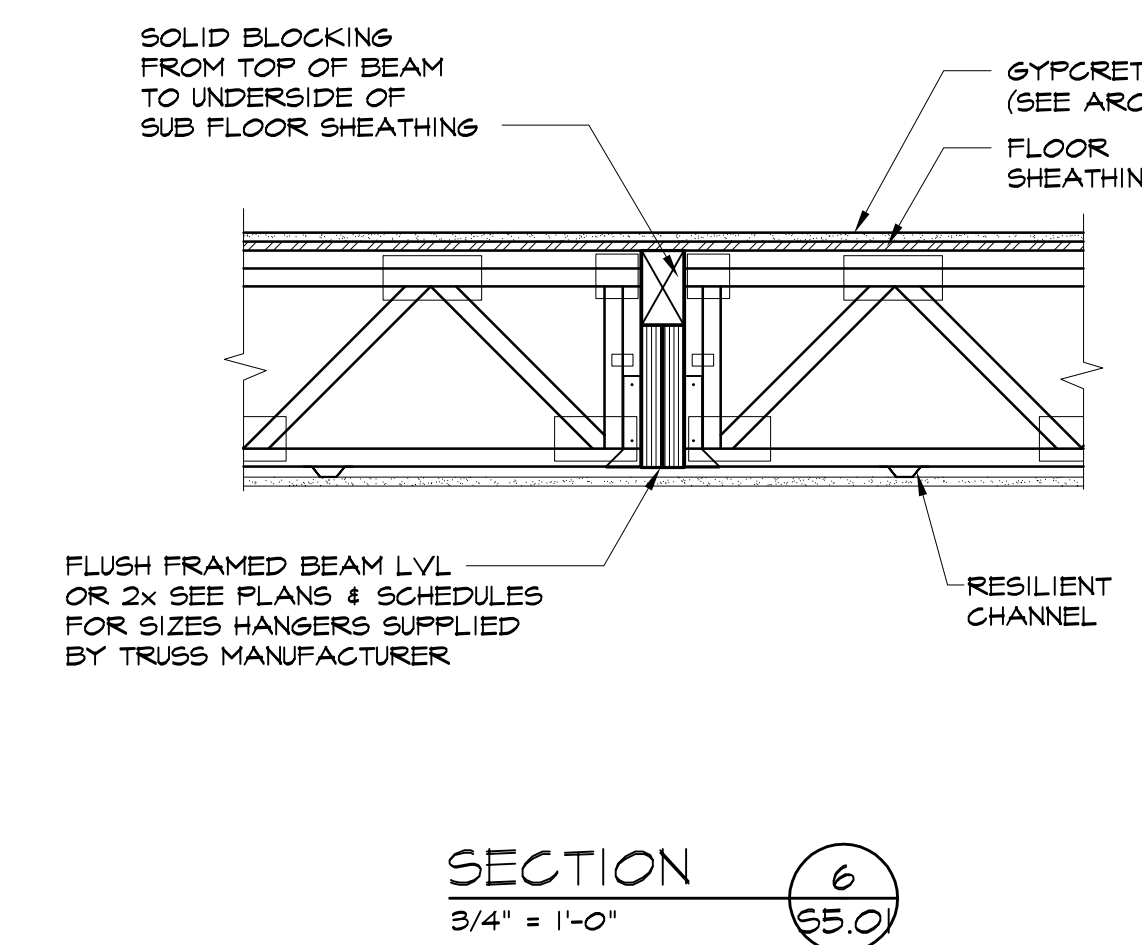
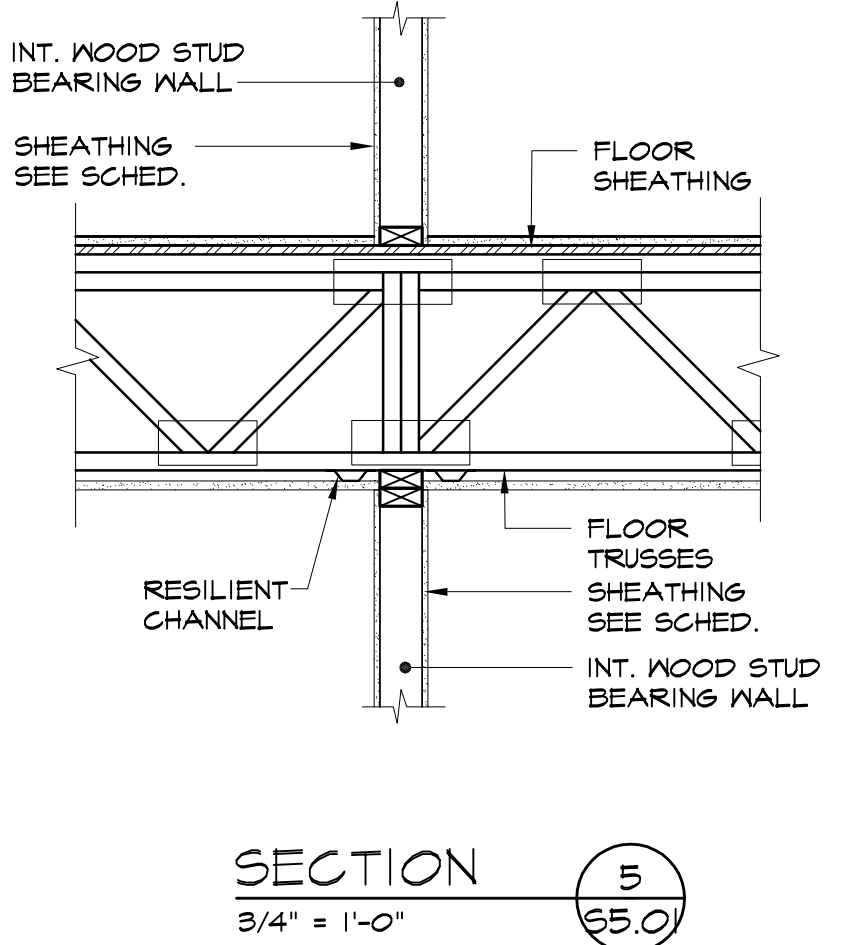
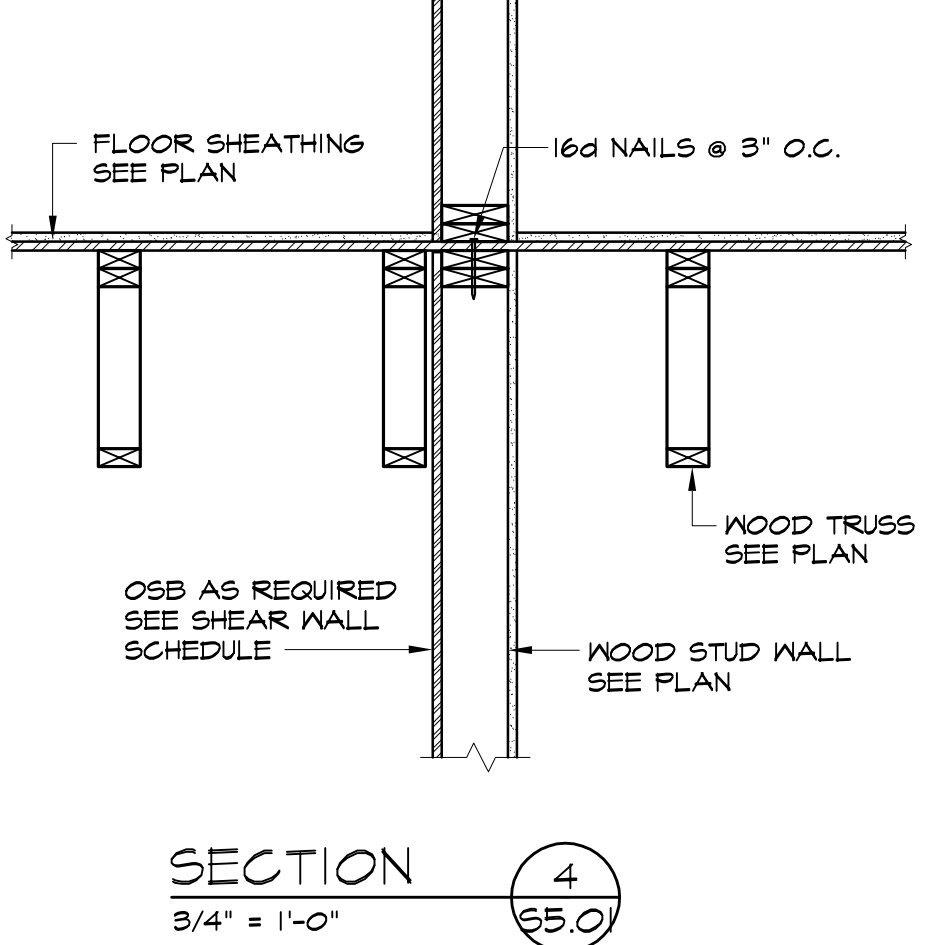
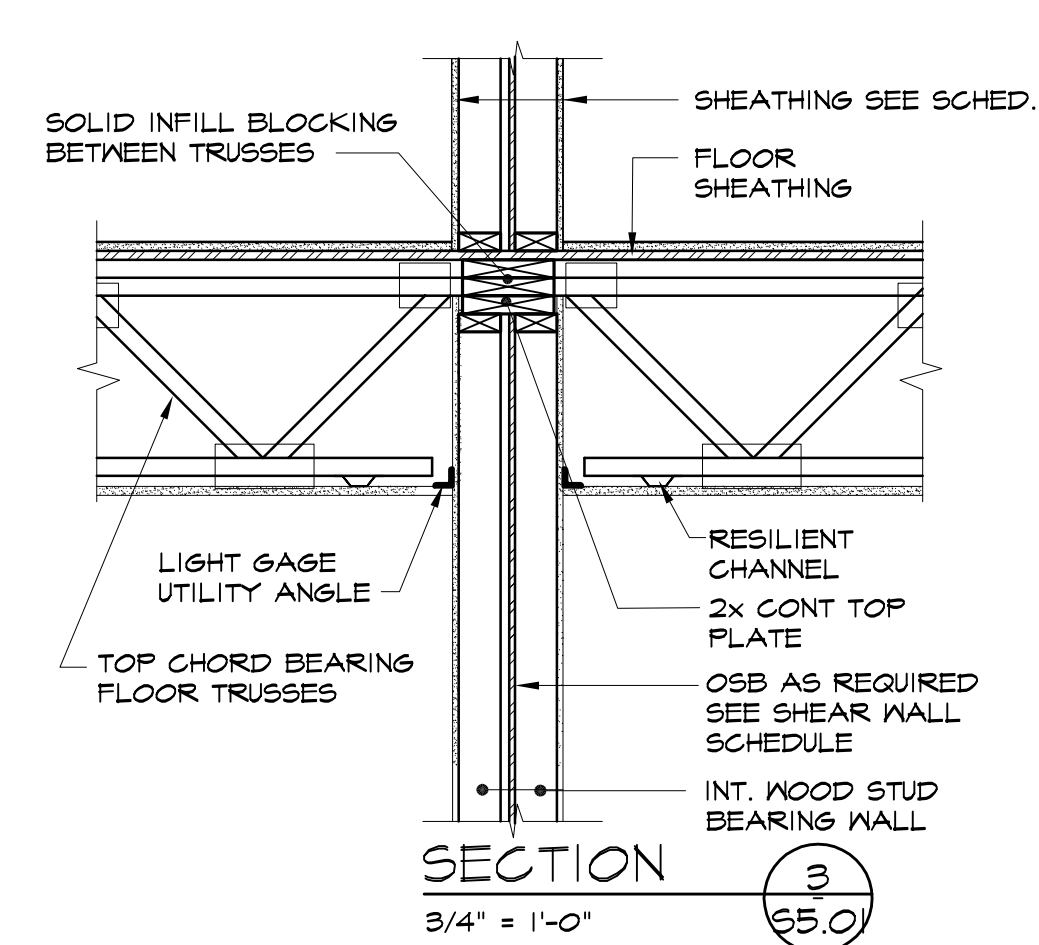
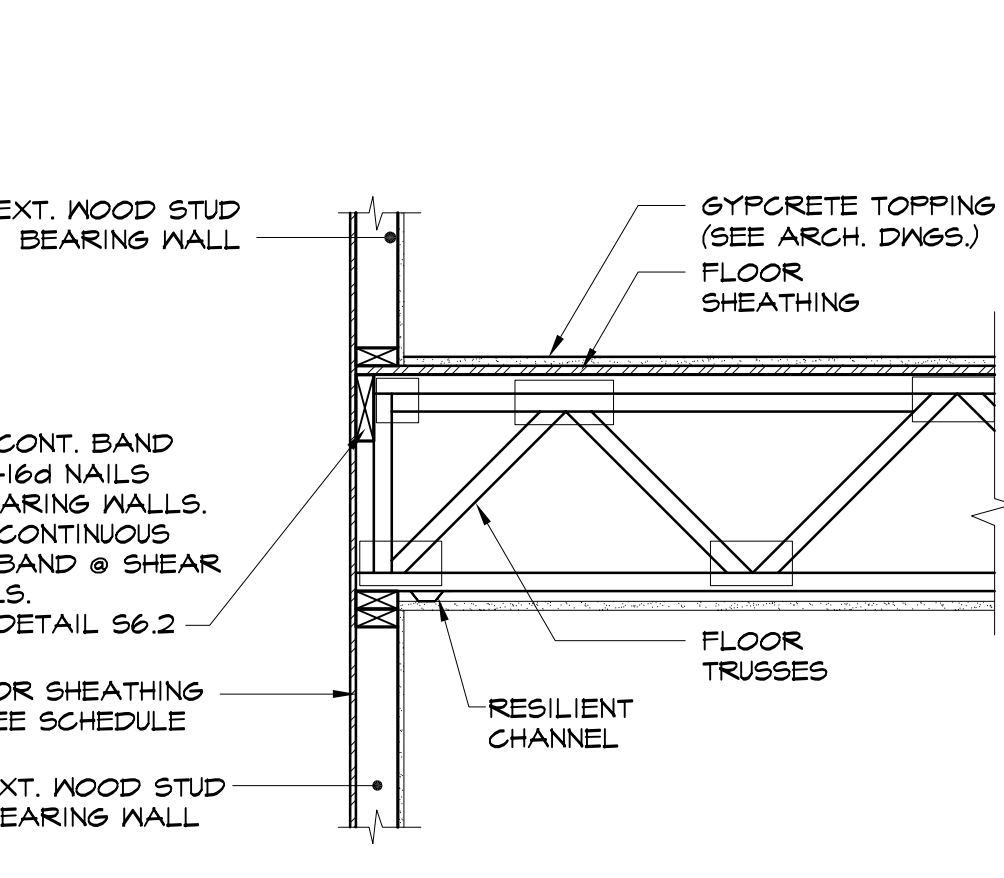
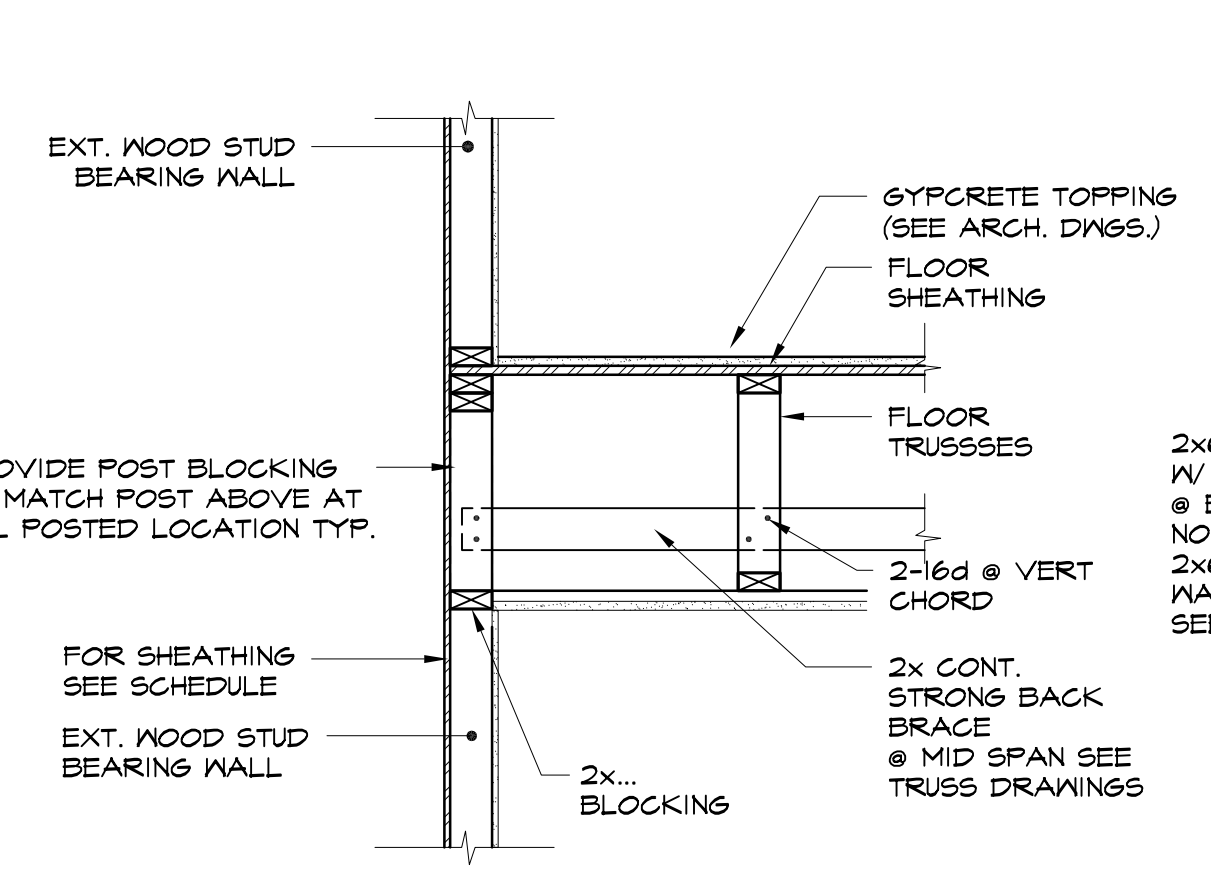
TYPICAL WOOD POST THROUGH
FLOOR TRUSSES AT BEARING WALLS



TYPICAL STEEL POST
TO LVL DETAIL



TYPICAL BLOCKING DETAIL
AT MISALIGNED FLOOR TRUSS
OVER 2x4 @ 24" O.C. STUD BEARING WALL



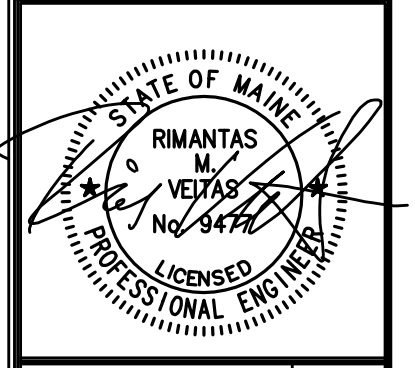
SECTION 9
3/4" = 1'-0" 65.0

SECTION 10
3/4" = 1'-0" 65.0

SECTION 11
3/4" = 1'-0" 65.0

SECTION 12
3/4" = 1'-0" 65.0

SECTION 13
3/4" = 1'-0" 65.0



Prepared For:
BATEMAN PARTNERS, LLC.
470 FORE STREET
PORTLAND, ME 04101

Consultant:
VEITAS VEITAS
engineers

Architect:
ARCHITECTS
48 Union Wharf Portland, Maine 04101
(207) 772-6022 Fax (207) 772-4056

Project:
185 FORE STREET
185 Fore Street, Portland Maine

Revisions:
1 05-22-2015 BID SET

Date: 16 JUNE, 2014
Scale:
Sections & Details

S5.01