

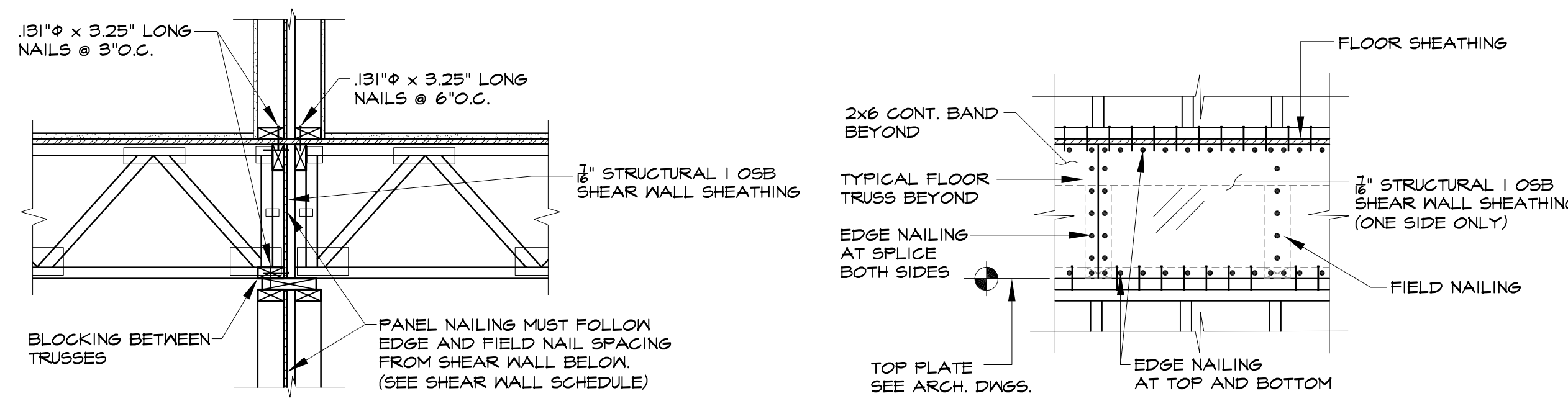
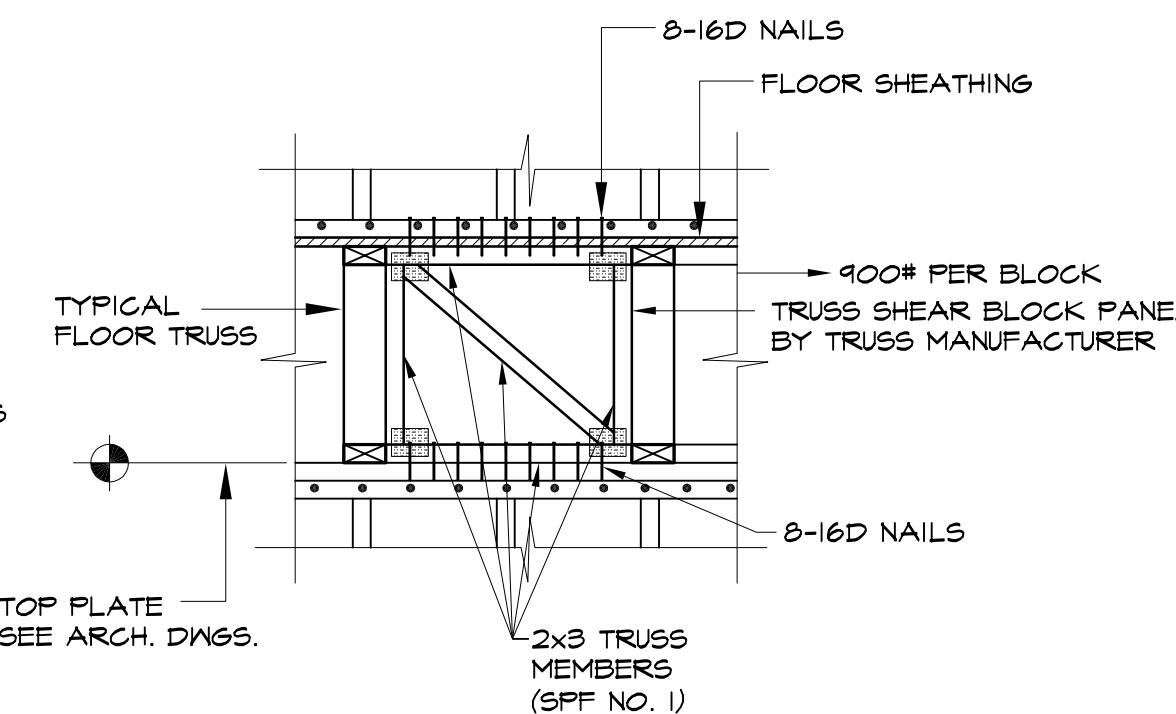
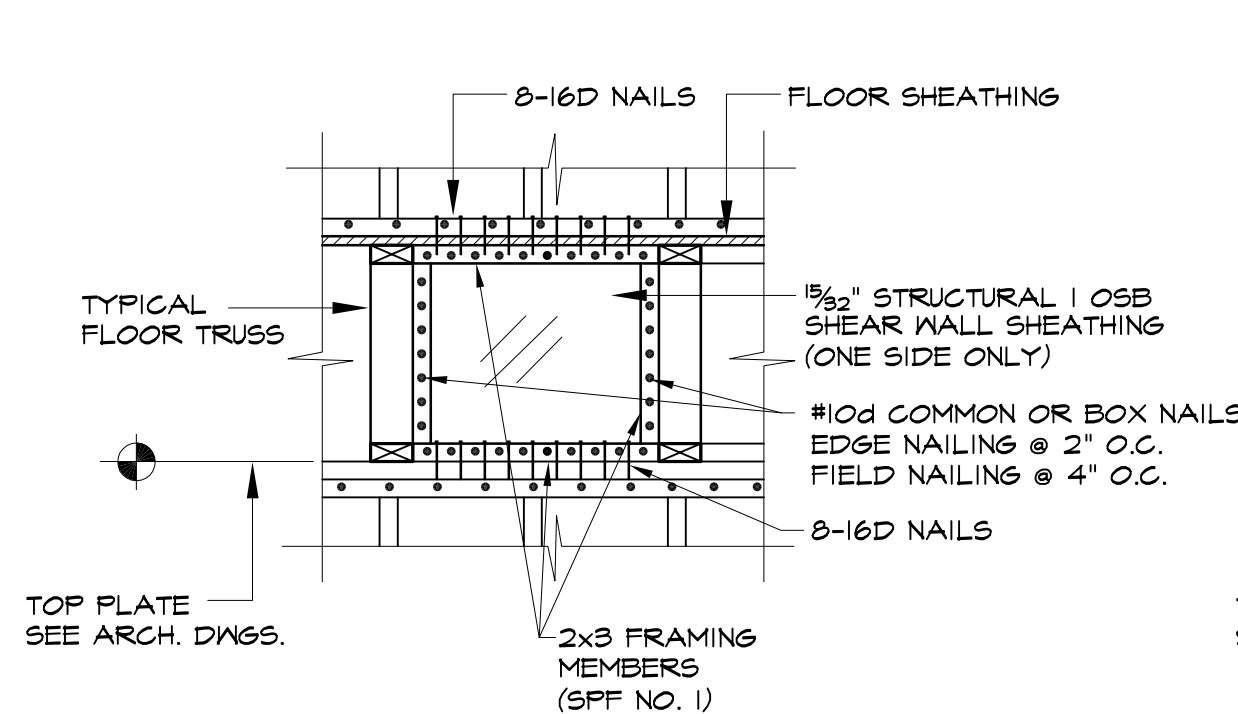
SHEAR WALL SCHEDULE

SWI-7/16" PLYWOOD(OSB) ONE SIDE

LEVEL	OSB-SHEATHING NAILING & BLOCKING	PLATE FASTENING & SHEAR BLOCKING	SHEAR WALL ANCHORAGE TYPE A		SHEAR WALL ANCHORAGE TYPE B		SHEAR WALL ANCHORAGE TYPE C		SHEAR WALL ANCHORAGE TYPE D		SHEAR WALL ANCHORAGE TYPE E		SHEAR WALL ANCHORAGE TYPE F		SHEAR WALL ANCHORAGE TYPE G		SHEAR WALL ANCHORAGE TYPE H		SHEAR WALL ANCHORAGE TYPE K		SHEAR WALL ANCHORAGE TYPE L		
			WALL CHORDS	HOLDDOWNS / FLOOR TIES	WALL CHORDS	HOLDDOWNS / FLOOR TIES	WALL CHORDS	HOLDDOWNS / FLOOR TIES	WALL CHORDS	HOLDDOWNS / FLOOR TIES	WALL CHORDS	HOLDDOWNS / FLOOR TIES	WALL CHORDS	HOLDDOWNS / FLOOR TIES	WALL CHORDS	HOLDDOWNS / FLOOR TIES	WALL CHORDS	HOLDDOWNS / FLOOR TIES	WALL CHORDS	HOLDDOWNS / FLOOR TIES	WALL CHORDS	HOLDDOWNS / FLOOR TIES	WALL CHORDS
HIGH ROOF	EDGE NAIL TYPE & SPACING FIELD NAIL TYPE & SPACING BLOCKING	@6'-0"	X	X	2-2x...	2-2x...	2-2x...	2-2x...	X	X	X	X	X	X	X	X	X	X	X	2-2x...	2-2x...	2-2x...	2-2x...
ROOF	BLOCKED	@4'-0"	X	X	C622	C622	N/A	N/A	X	X	X	X	X	X	X	X	X	X	C622	C622	C622	C622	
4TH FLOOR	EDGE NAILS @ 6" o.c. EDGE NAILS @ 6" o.c. BLOCKED	@4'-0"	2-2x...	2-2x...	2-2x...	2-2x...	2-2x...	2-2x...	2-2x...	2-2x...	C622	C622	C614	C614	N/A	N/A	C622	C622	X	X	X	X	
3RD FLOOR	EDGE NAILS @ 4" o.c. EDGE NAILS @ 6" o.c. BLOCKED	@2'-0"	2-2x...	2-2x...	2-2x...	2-2x...	2-2x...	2-2x...	2-2x...	2-2x...	2-C618	2-C618	X	X	X	X	C622	C622	2-C616	2-C616	X	X	
2ND FLOOR	EDGE NAILS @ 3" o.c. EDGE NAILS @ 6" o.c. BLOCKED	@2'-0"	2-2x...	2-2x...	3-2x...	3-2x...	2-2x...	2-2x...	2-2x...	2-2x...	HDQ8-SDS3 1/8" ROD	HDQ8-SDS3 1/8" ROD	X	X	X	X	C620	C620	HDQ11-SDS2.5 1" ROD	HDQ11-SDS2.5 1" ROD	X	X	
1ST FLOOR	EDGE NAILS @ 3" o.c. EDGE NAILS @ 6" o.c. BLOCKED	AT INTERIOR WALLS HILTI X-CP-12-FB-529 @ 4" O.C. AT EXTERIOR WALLS SEE NOTE 4	2-2x...	2-2x...	X	X	2-2x...	2-2x...	2-2x...	2-2x...	X	X	2-2x...	2-2x...	X	X	HDU4-SDS2.5 5/8" ROD	HDU4-SDS2.5 5/8" ROD	STEEL COLUMN	HDQ14-SDS2.5 1" ROD	X	X	

- SHEAR WALL SCHEDULE NOTES:**
- IF PLYWOOD PANELS ARE ORIENTED HORIZONTALLY THE EDGES OF ALL PANELS SHALL BE BLOCKED W/ SOLID 2X MEMBERS.
 - VERTICALLY ORIENTED PANELS SHALL HAVE SUFFICIENT LENGTH TO SPAN FROM BOTTOM PLATE TO MID HEIGHT OF THE TOP PLATE.
 - FILLER PANEL AT FLOOR CAVITIES SHALL BE ATTACHED TO THE TOP PLATE OF THE LOWER WALL AND THE BOTTOM PLATE OF THE HIGHER WALL. NAIL PATTERN SHALL BE THE SAME AS THE LOWER WALL.
 - AT EXTERIOR SHEARWALLS PROVIDE 1/2" J-BOLT (1" MIN. EMBEDMENT) W/ 3"x3"x1/4" PLATE WASHERS (GALV.) @ 3'-0" O.C. OR 1/2" SIMPSON TITEN HD (4/2" MIN. EMBEDMENT) W/ 3"x3"x1/4" PLATE WASHERS (GALV.) @ 3'-0" OR 1/2" HILTI HIT-HY 200 ADHESIVE ANCHORS (4" MIN. EMBEDMENT) W/ HAS (GALV.) STEEL ROD W/ 3"x3"x1/4" PLATE WASHERS (GALV.) @ 3'-0".
 - ALL INTERIOR SHEARWALL SHALL BE ATTACHED BY POWDER ACTUATED FASTENERS. SEE SCHEDULE FOR SPACING.
 - ALL HOLDDOWNS TO BE BY SIMPSON STRONG TIE OR EQUAL.

SHEAR WALL SCHEDULE		
SWI-7/16" PLYWOOD (OSB) ONE SIDE		
LEVEL	SHEAR WALL ANCHORAGE TYPE M	
	WALL CHORDS	HOLDDOWNS / FLOOR TIES
	LEFT CHORD	RIGHT CHORD
HIGH ROOF	X	X
ROOF	X	X
4TH FLOOR	X	X
3RD FLOOR	2-2x...	2-2x...
3RD FLOOR	2-C618	2-C618
3RD FLOOR	3-2x...	3-2x...
2ND FLOOR	HDQ8-SDS3 1/8" ROD	HDQ8-SDS3 1/8" ROD
1ST FLOOR	X	X



HOLDDOWN RODS & EMBEDMENT SCHEDULE		
HOLDDOWNS	ROD SIZE	MINIMUM EMBEDMENT REQ'D IN SET/SIMPSON WHEN 6" EXTERIOR WOOD STUD WALL (W/ CONCRETE EDGE DISTANCE = 2 3/4")
HDU2-SDS2.5	5/8" THREADED ROD	3 3/4"
HDU4-SDS2.5	5/8" THREADED ROD	5"
HDU5-SDS2.5	5/8" THREADED ROD	5"
HDU8-SDS2.5	7/8" THREADED ROD	7 3/4"
HDU11-SDS2.5	1" THREADED ROD	10 1/4"
HDQ8-SDS3	7/8" THREADED ROD	4"
HDQ11-SDS2.5	1" THREADED ROD	12"
HDQ14-SDS2.5	1" THREADED ROD	15"

NOTE: PANEL NAILING PATTERN MUST FOLLOW EDGE AND FIELD NAIL SPACING FROM SHEAR WALL BELOW. SEE SHEAR WALL SCHEDULE.

BATEMAN PARTNERS, LLC.
470 FORE STREET
PORTLAND, ME 04101

Prepared For: **VEITAS VEITAS engineers**

Consultant: **ARCHETYPE architects**
48 Union Wharf, Portland, Maine 04101
(207) 772-6022 Fax (207) 772-4056

Project: **185 FORE STREET**
185 Fore Street, Portland Maine

Revisions: 1 | 05-22-2015 | BID SET

Date: 16 JUNE, 2014

Scale: **Shear Wall Schedule & Shear Wall Details**

S3.02