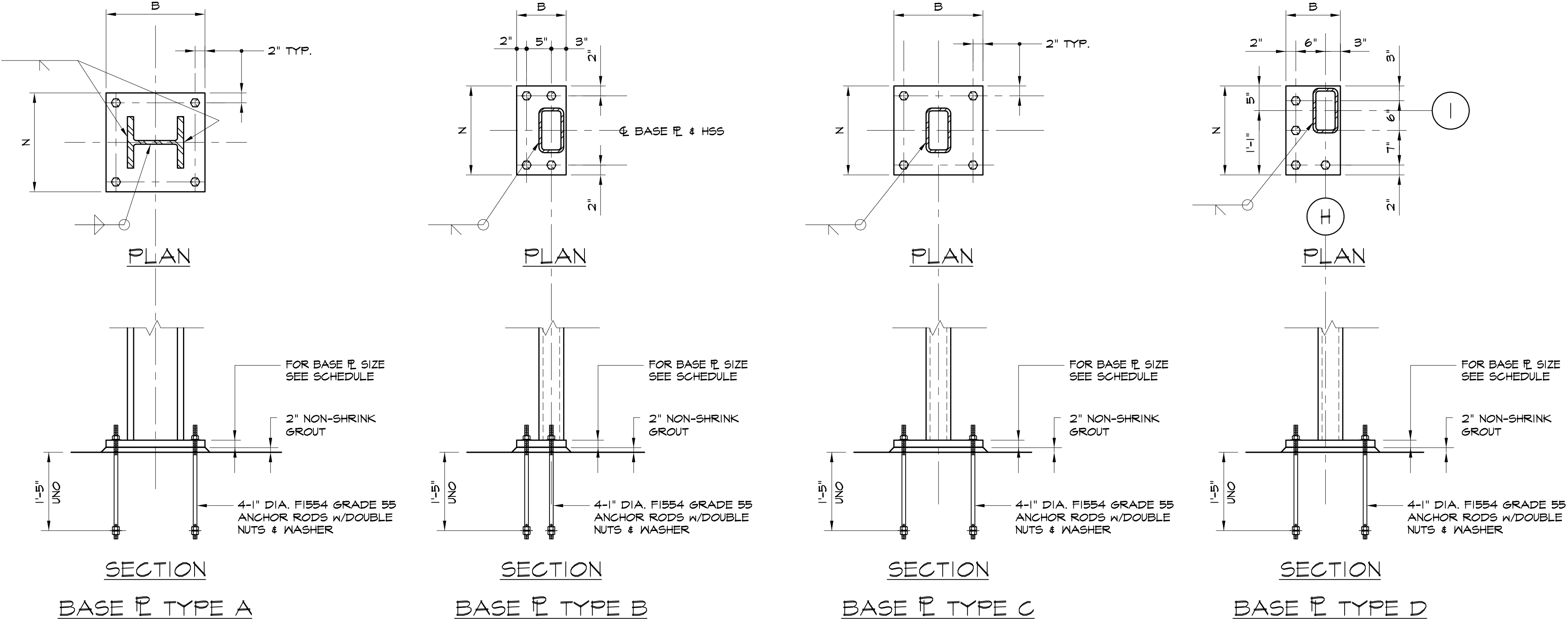


COLUMN SCHEDULE

COL. NO.	C1	C2	C3	C4	C5	C6	C7	C8	C9	C10	C11
LEVEL											
2ND FLOOR											
GROUND FL.											
BASE P. TYPE	A	B	C	D	E	F	G	G	G	H	F
BASE P. SIZE "N" x "T" x "B"	20'x12'x1'-0"	18'x2'x0'-10"	18'x2'x1'-6"	18'x2'x1'1"	18'x2'x0'-11"	12'x3'x0'-4"	12'x1'x1'-0"	12'x1'x1'-0"	12'x1'x1'-0"	14'x3'x0'-8"	12'x3'x0'-4"

COLUMN SCHEDULE NOTES:
 1. ALL TS COLUMNS SHALL BE ASTM A500 GRADE B.
 2. ALL WF COLUMNS SHALL BE ASTM A512 GRADE 50.



SECTION
BASE P. TYPE A

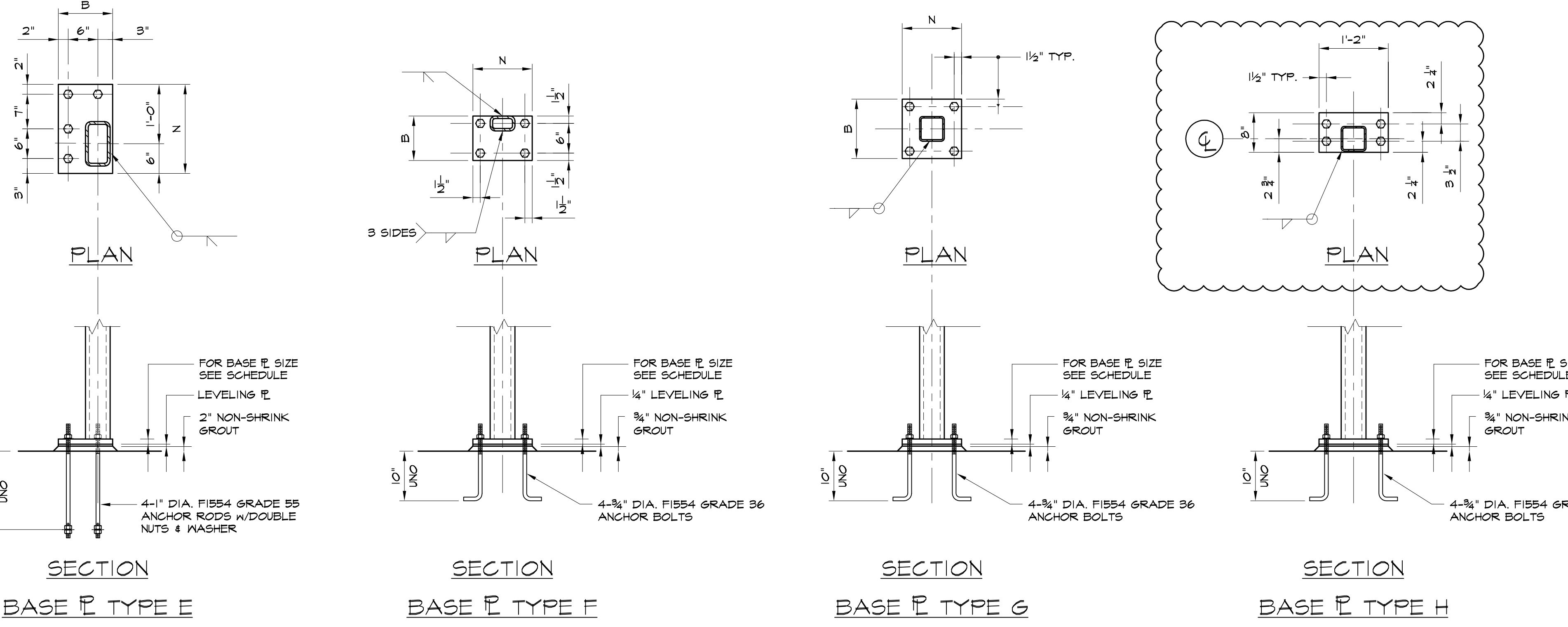
SECTION
BASE P. TYPE B

SECTION
BASE P. TYPE C

SECTION
BASE P. TYPE D

PIER SCHEDULE

MARK	TYPE	SIZE "A"x"B"	REINFORCING	TIES
P1	A	20'x20'	8-#6	#3@12'
P2	B	20'x20'	8-#6	#3@12'
P3	C	28'x28'	8-#6	#3@12'
P4	B	26'x26'	8-#6	#3@12'
P5	D	26'x18'	8-#6	#3@12'
P6	E	26'x18'	8-#6	#3@12'
P7	F	26'x18'	8-#6	#3@12'

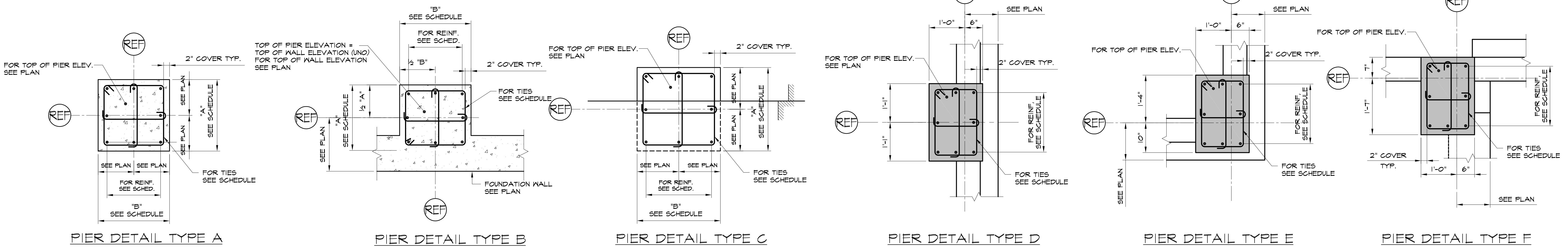


SECTION
BASE P. TYPE E

SECTION
BASE P. TYPE F

SECTION
BASE P. TYPE G

SECTION
BASE P. TYPE H



PIER DETAIL TYPE A

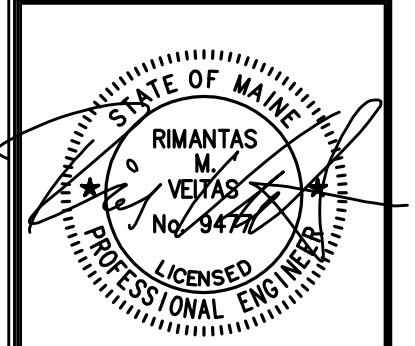
PIER DETAIL TYPE B

PIER DETAIL TYPE C

PIER DETAIL TYPE D

PIER DETAIL TYPE E

PIER DETAIL TYPE F



BATEMAN PARTNERS, LLC.
 470 FORE STREET
 PORTLAND, ME 04101

Prepared For:

VEITAS VEITAS
 engineers

Consultant:

ARCHITECTS
 48 Union Wharf Portland, Maine 04101
 (207) 772-6022 Fax (207) 772-4056

Project:

185 FORE STREET
 185 Fore Street, Portland Maine

Revisions:

1	05-22-2015	BID SET
2	09-22-2015	REVISIONS
3	11-06-2015	ADDENDUM #3

Date: 16 JUNE, 2014

Scale:

Column and Pier
 Schedules and Details

S3.01