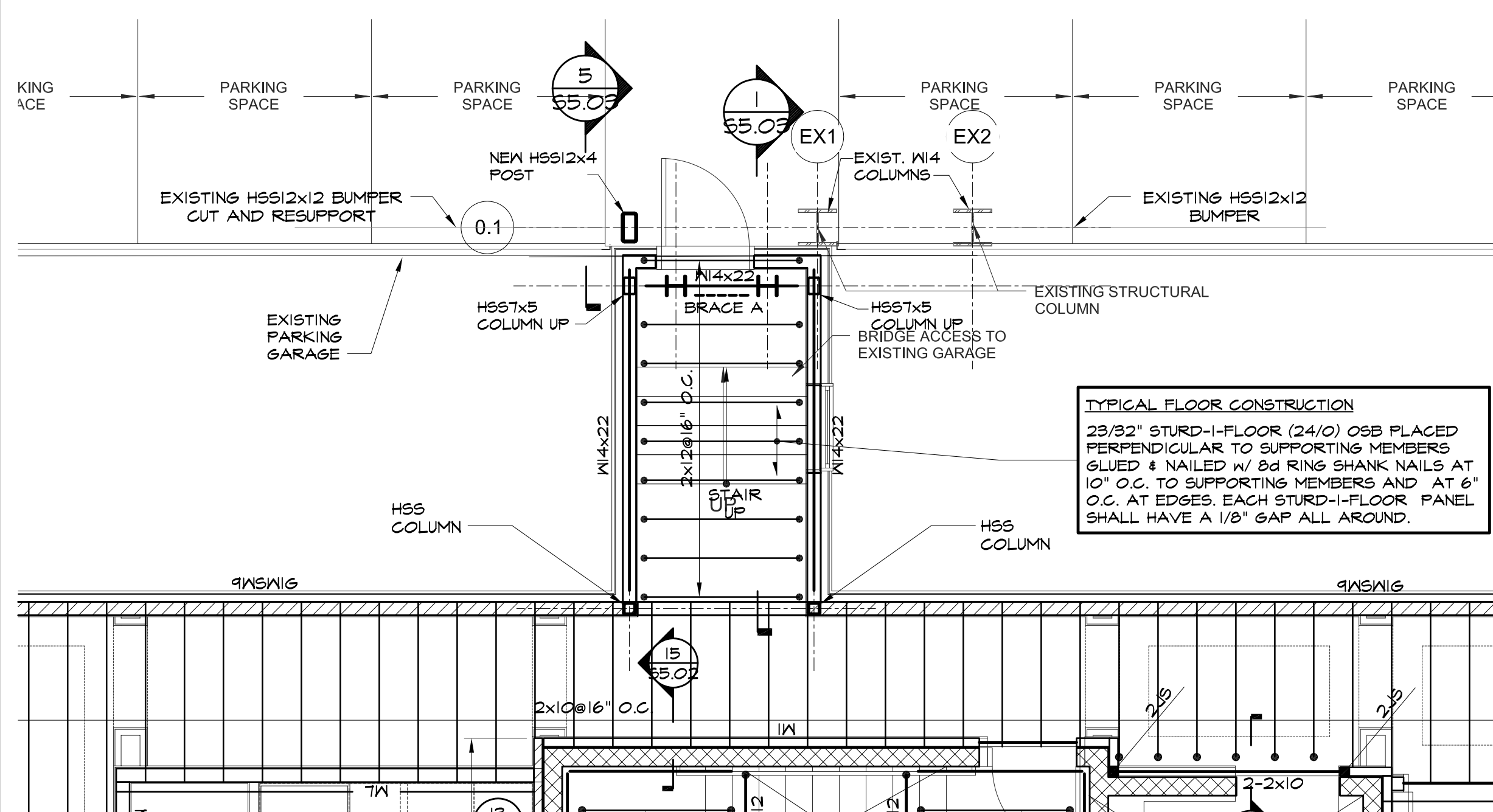
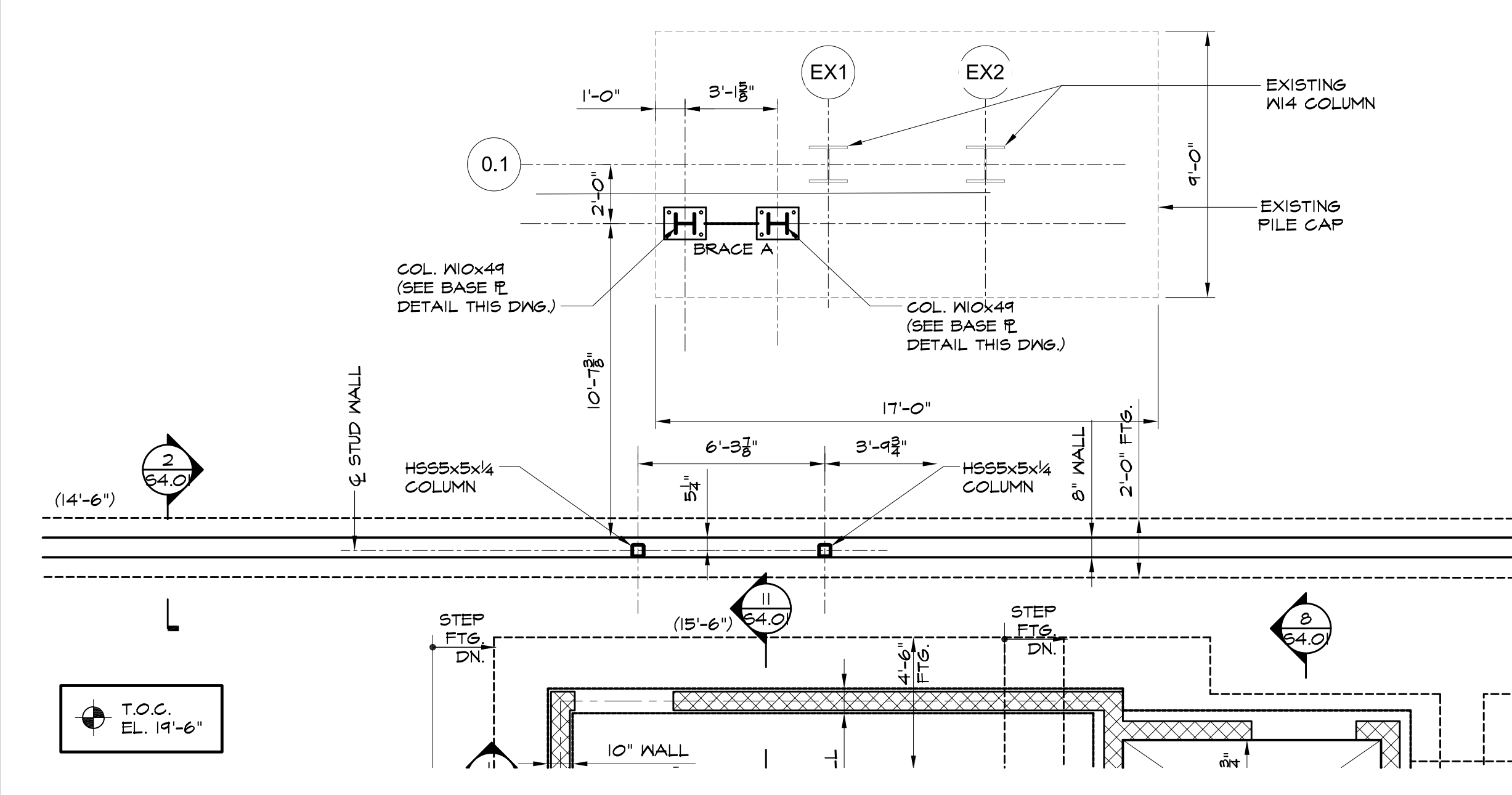


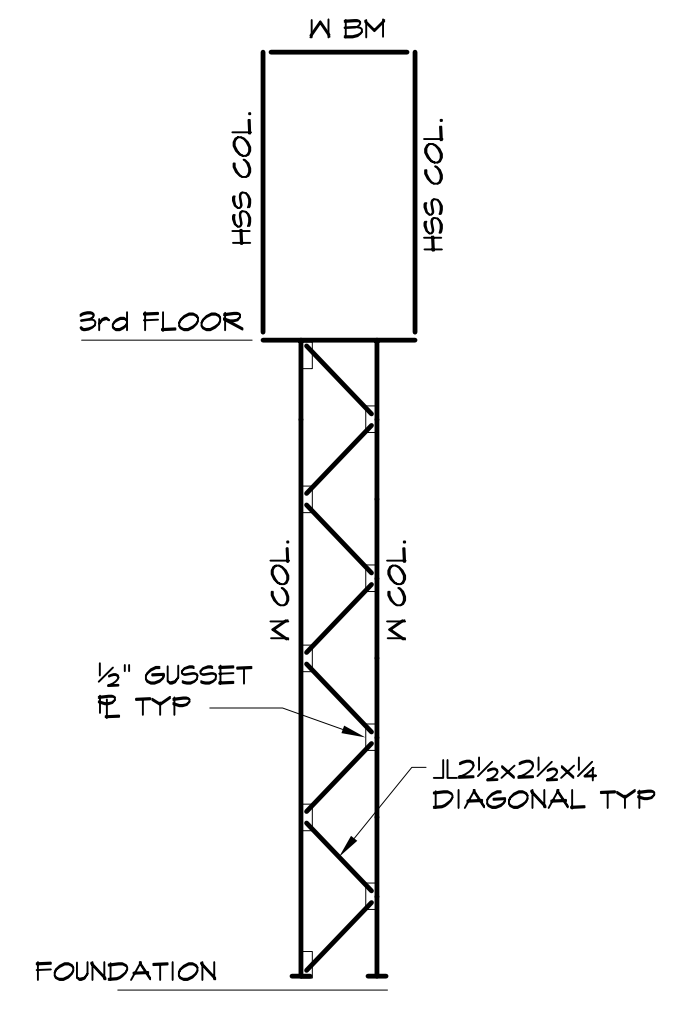
BRIDGE ROOF FRAMING PLAN
1/4"=1'-0"



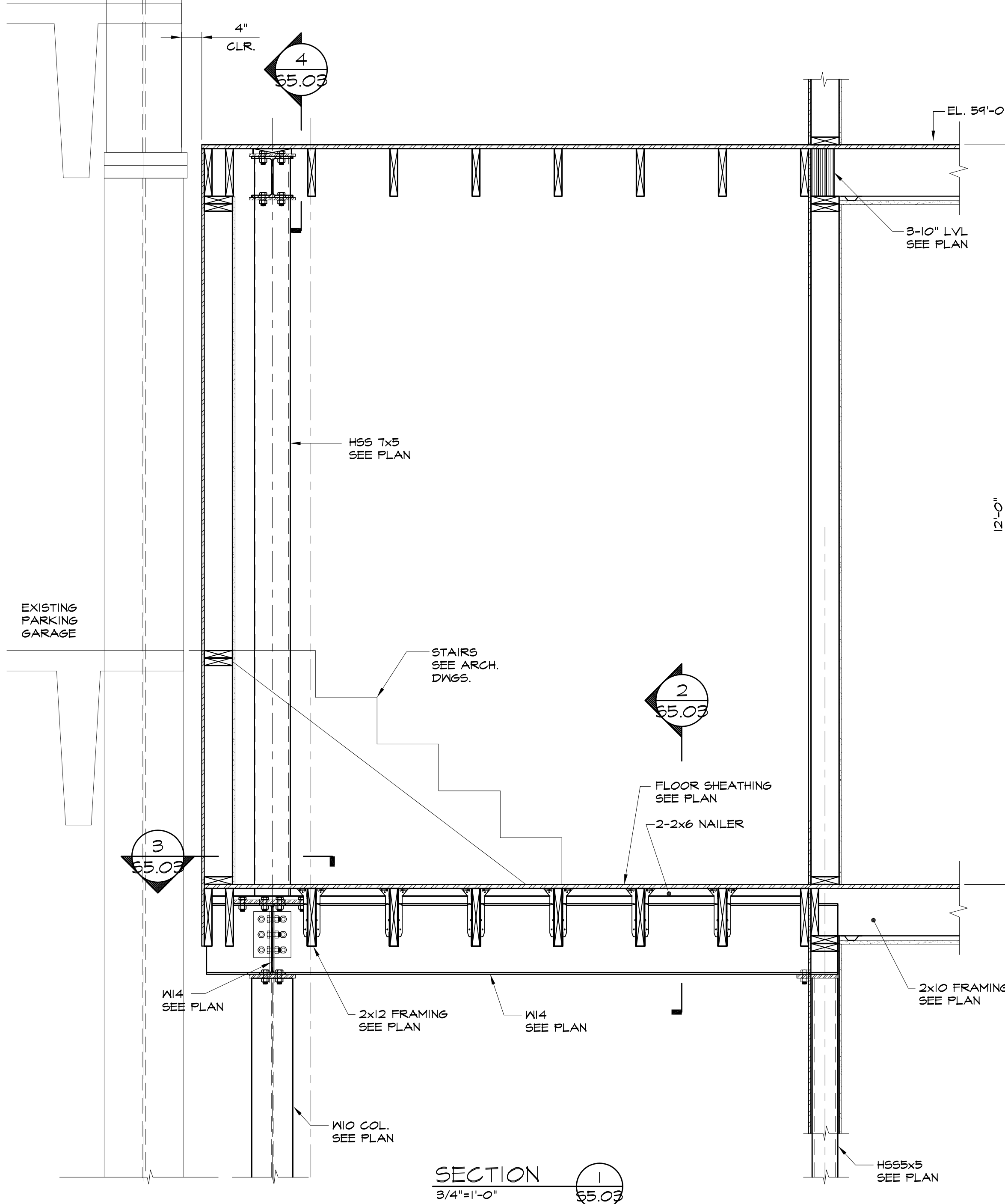
BRIDGE THIRD FLOOR FRAMING PLAN
1/4"=1'-0"



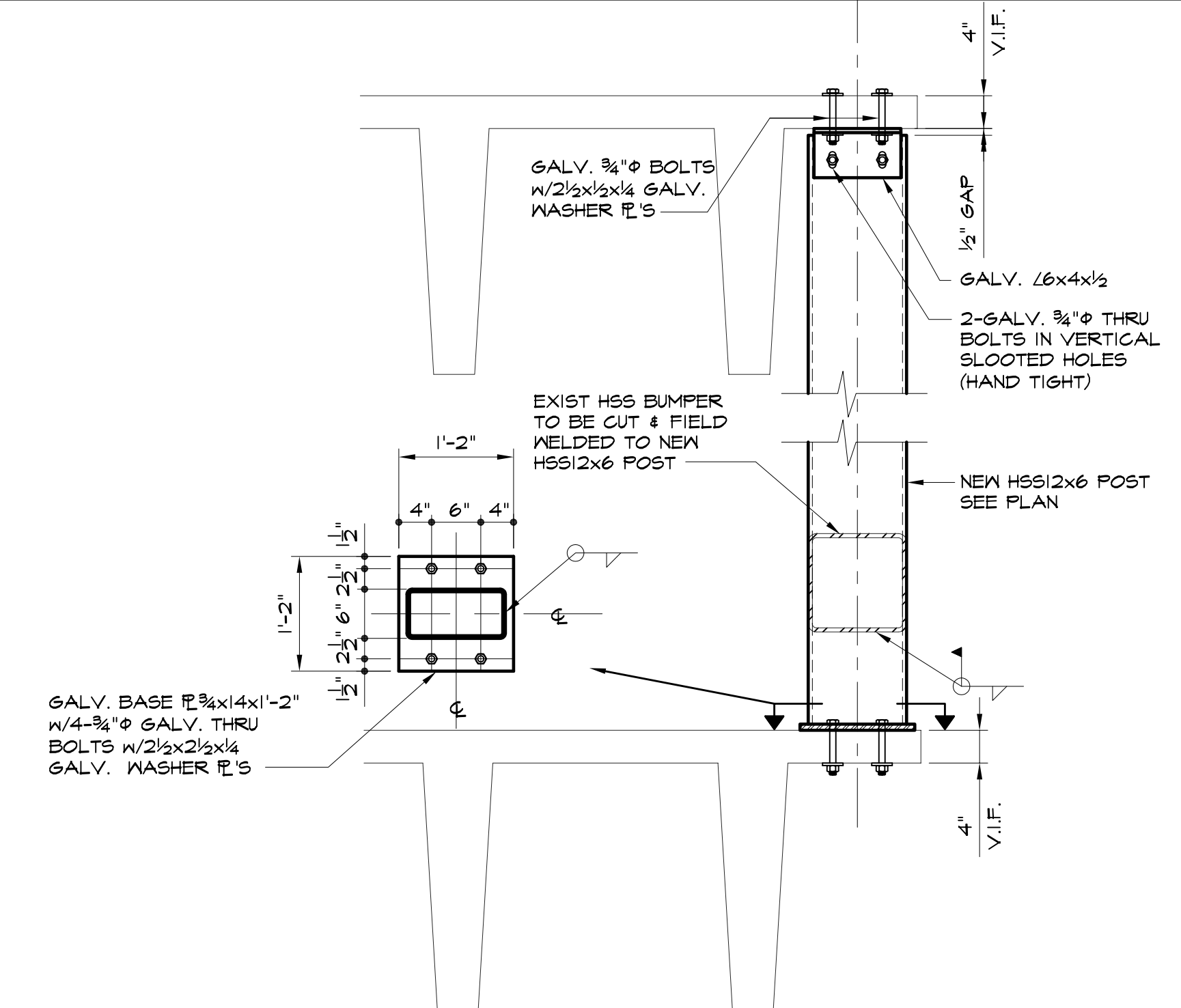
BRIDGE FOUNDATION PLAN
1/4"=1'-0"



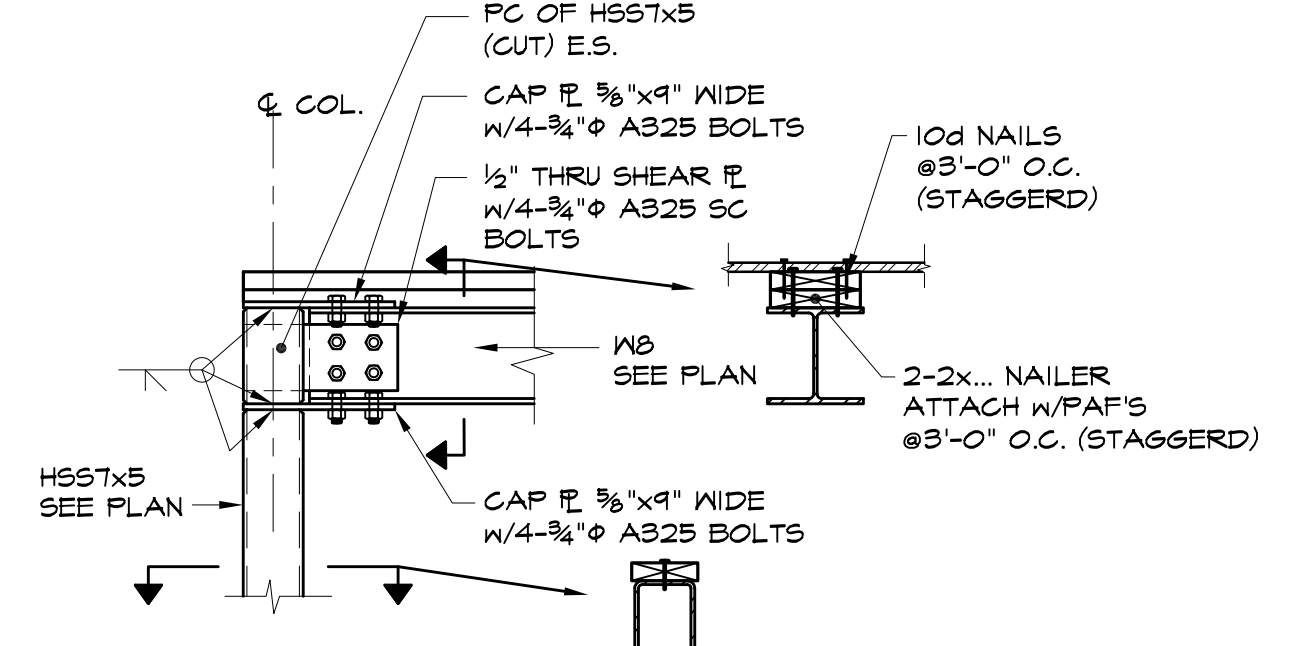
BRACE ELEVATION "A"
1/8"=1'-0"



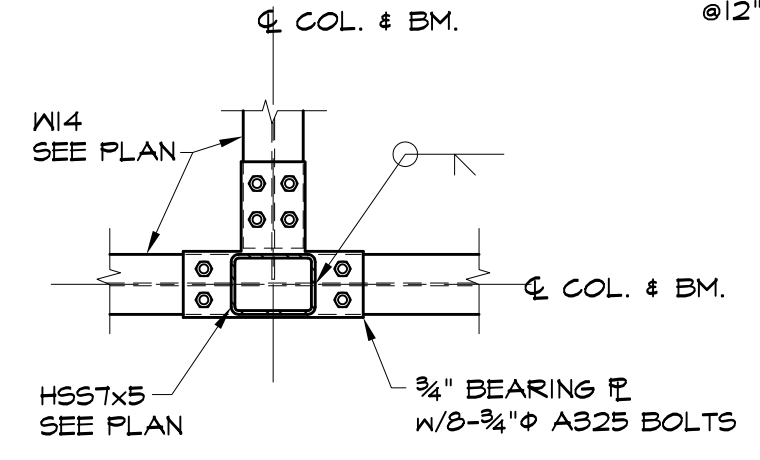
SECTION 1
3/4"=1'-0"



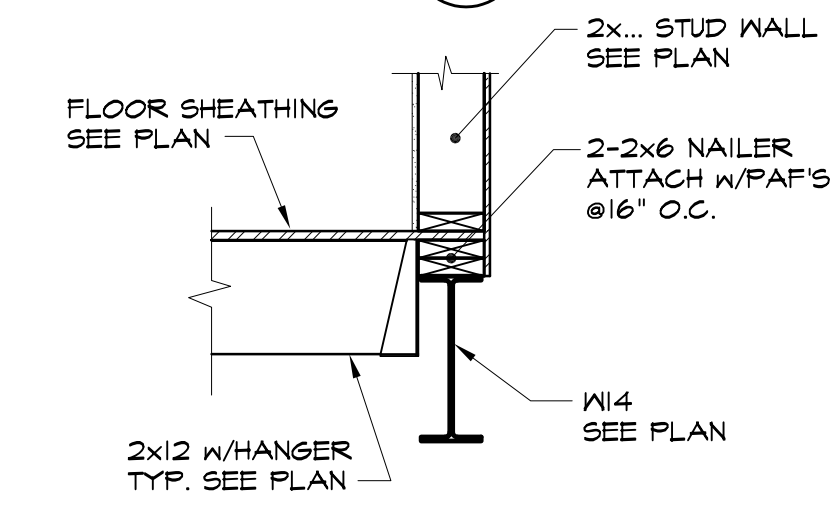
SECTION 5
3/4"=1'-0"



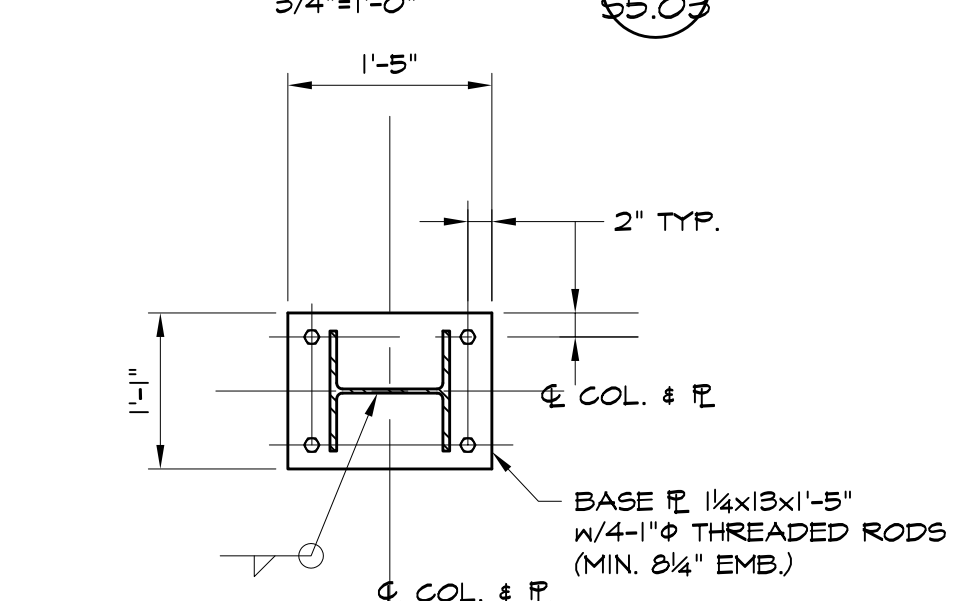
SECTION 4
3/4"=1'-0"



SECTION 3
3/4"=1'-0"



SECTION 2
3/4"=1'-0"



BASE PLATE DETAIL
3/4"=1'-0"

BATEMAN PARTNERS, LLC.
 470 FORE STREET
 PORTLAND, ME 04101

Prepared For: **VEITAS VEITAS** engineers
 689 Granite Street, Suite 10184
 Portland, ME 04106
 TEL: (207) 772-6022 FAX: (207) 772-4056

Consultant: **ARCHETYPE architects**
 48 Union Wharf Portland, Maine 04101
 (207) 772-6022 Fax (207) 772-4056

Project: **185 FORE STREET**
 185 Fore Street, Portland Maine

Revisions: T 05-22-2015 BID SET

Date: 16 JUNE, 2014
 Scale: BRIDGE FRAMING PLANS & DETAILS

S5.03