

Prepared For:
BATEMAN PARTNERS, LLC.
 470 FORE STREET
 PORTLAND, ME 04101

Consultant:
VEITAS VEITAS architects
 architects
 68 Granite Street, Suite 10184
 Portland, ME 04101
 TEL: (207) 772-6022 FAX: (207) 772-4056

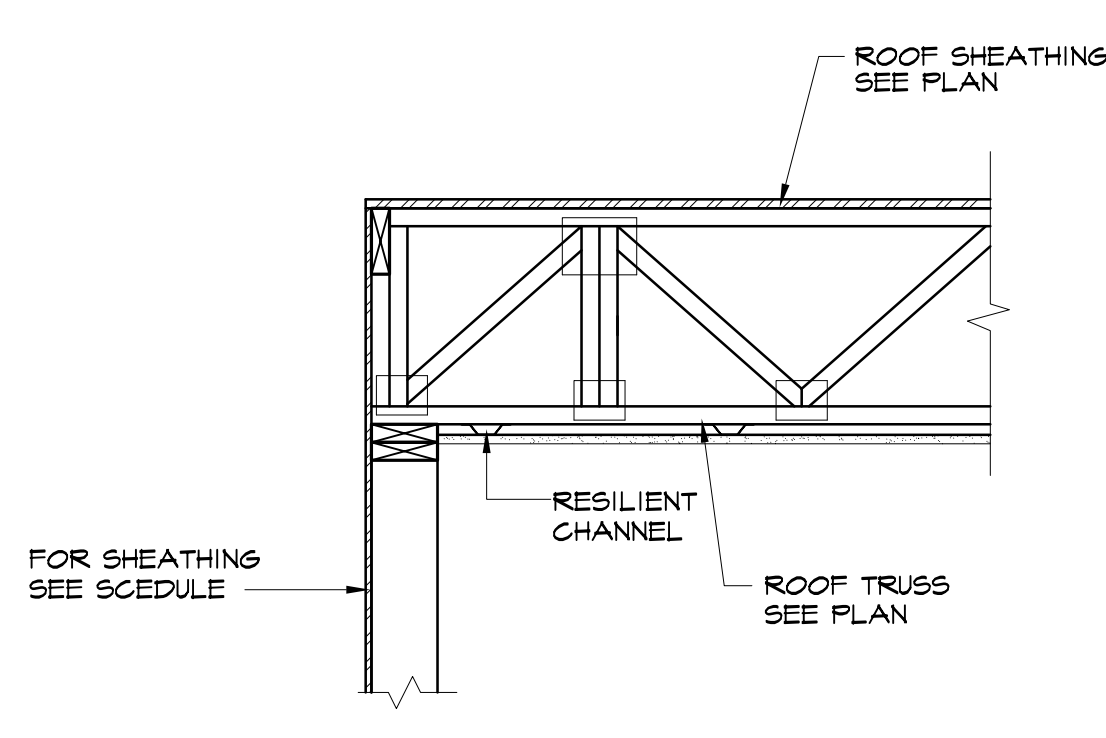
Architect:
ARCHITYPE architects
 48 Union Wharf Portland, Maine 04101
 (207) 772-6022 Fax (207) 772-4056

Project:
 185 FORE STREET
 Portland, Maine

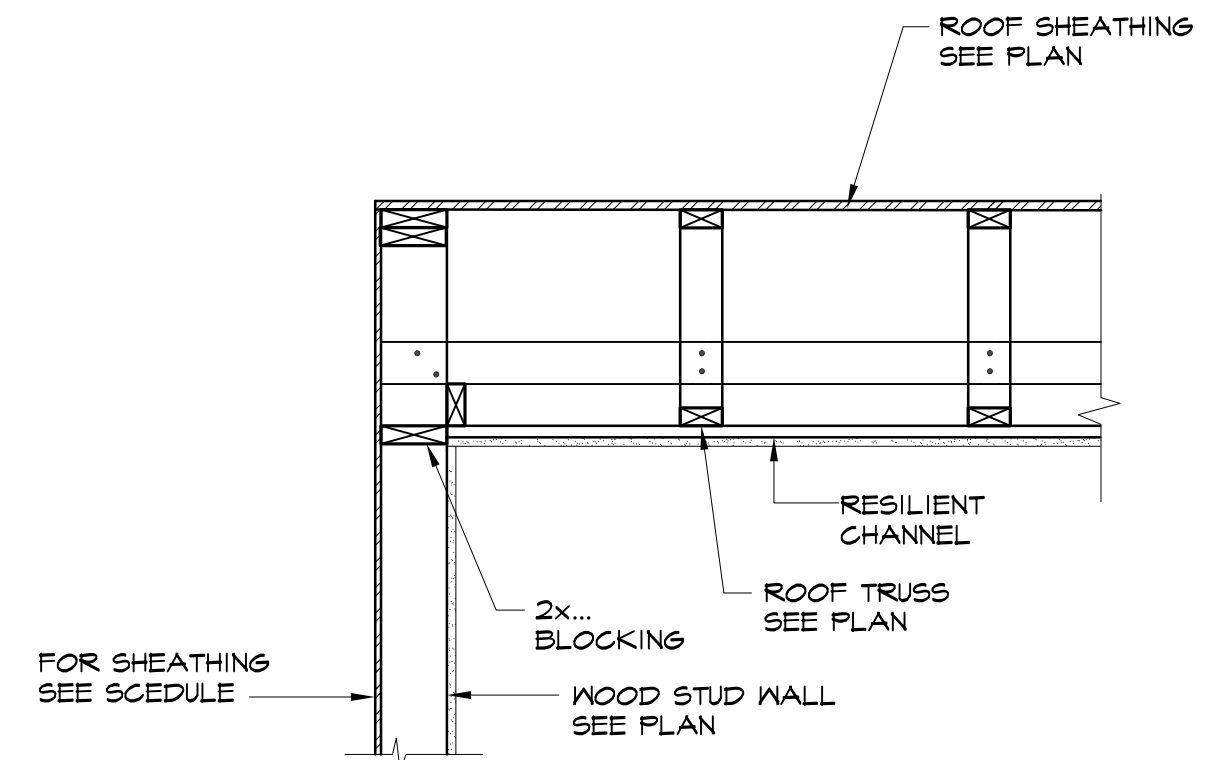
Revisions:
 1 | 05-22-2015 | BID SET

Date:
 16 JUNE, 2014

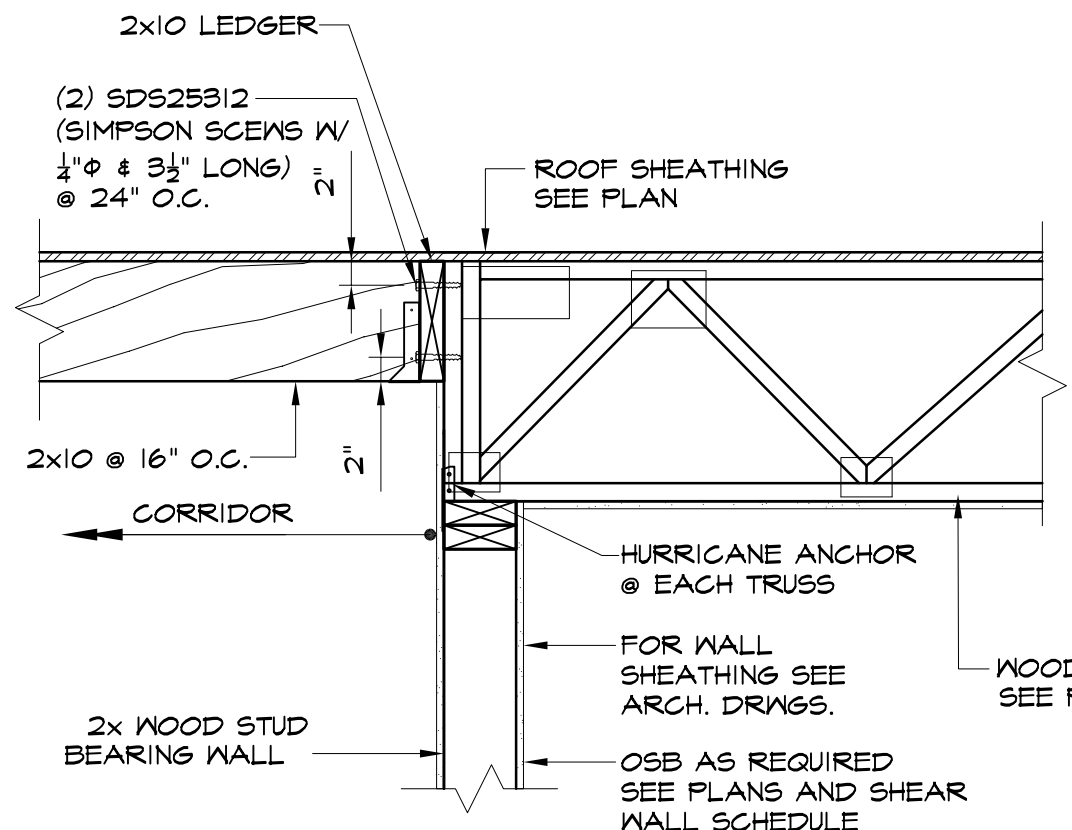
Scale:
 Sections & Details



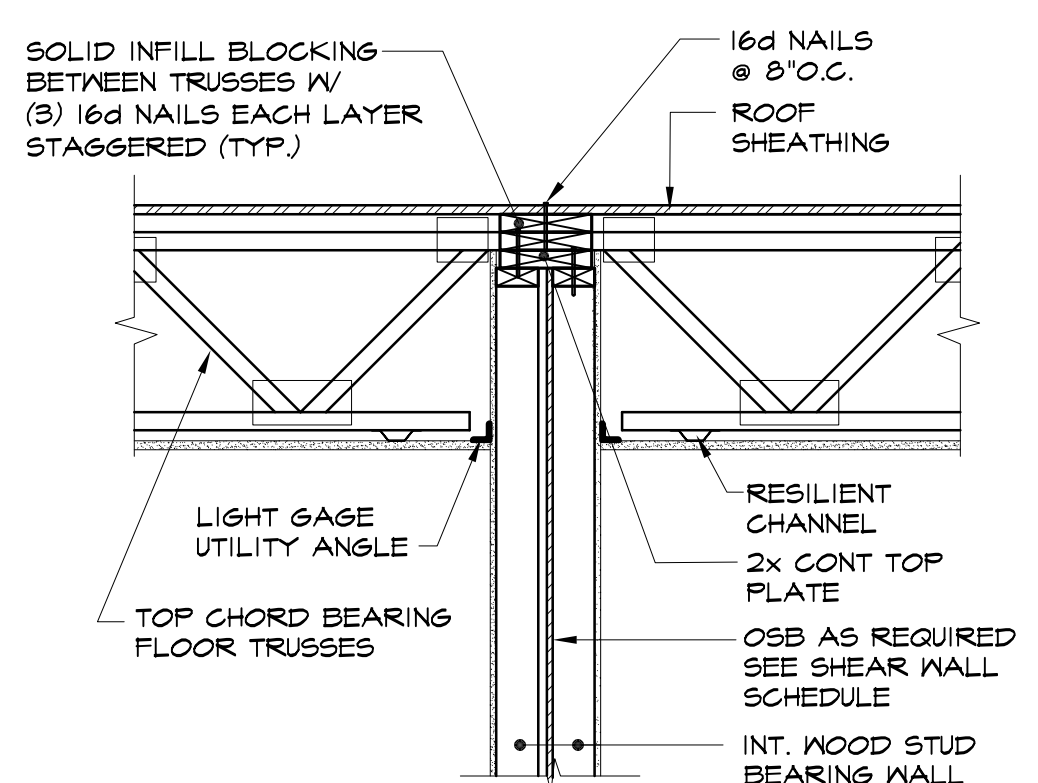
SECTION 1
 3/4" = 1'-0" S5.02



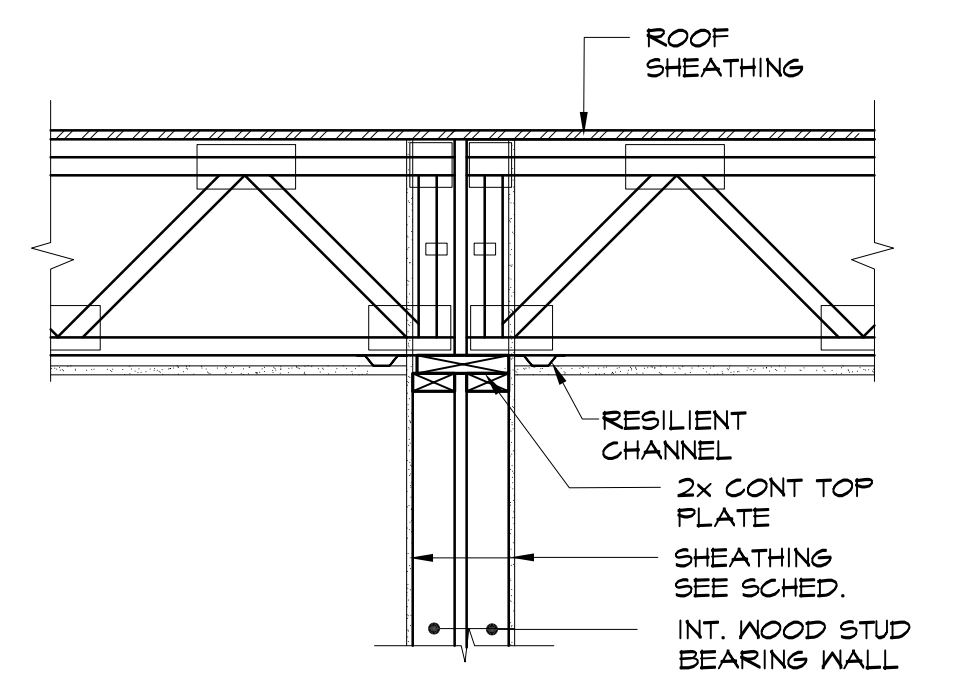
SECTION 2
 3/4" = 1'-0" S5.02



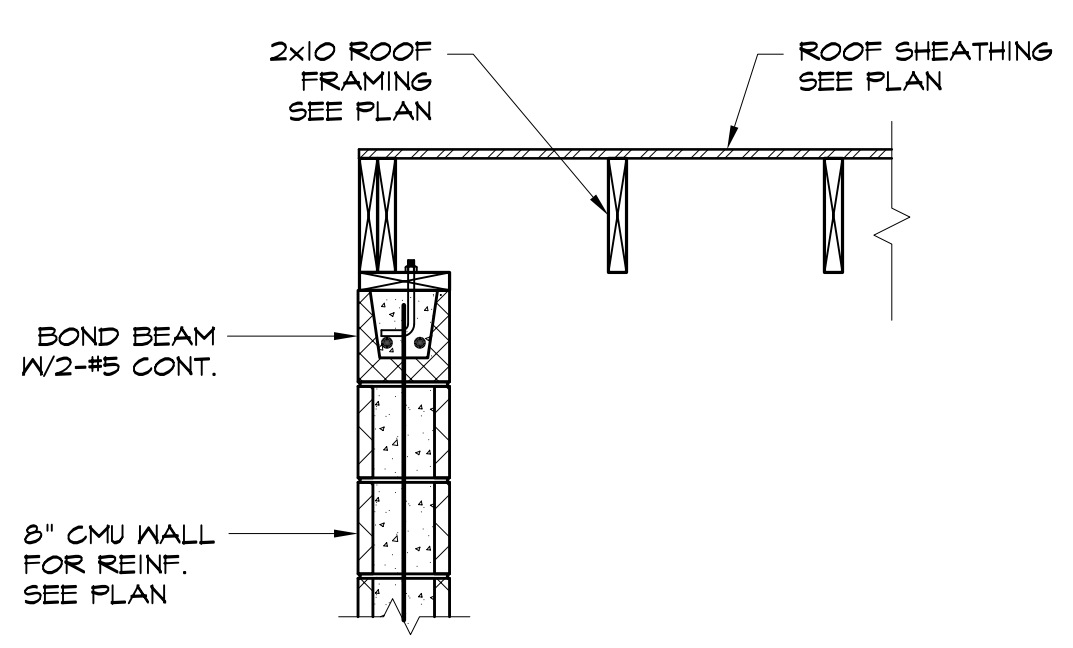
SECTION 3
 3/4" = 1'-0" S5.02



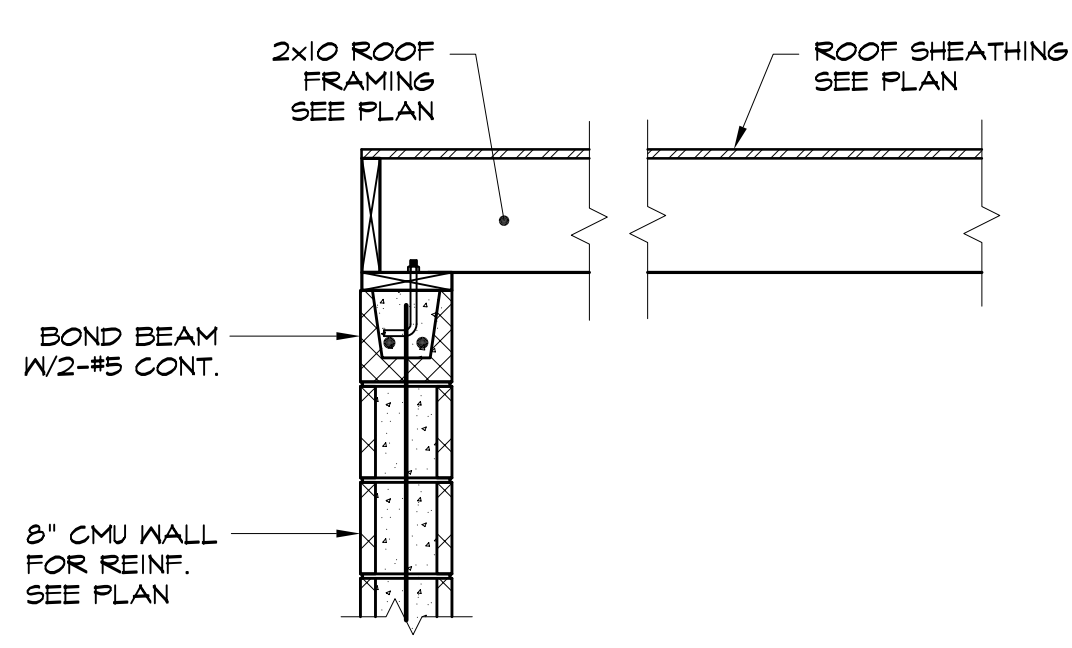
SECTION 4
 3/4" = 1'-0" S5.02



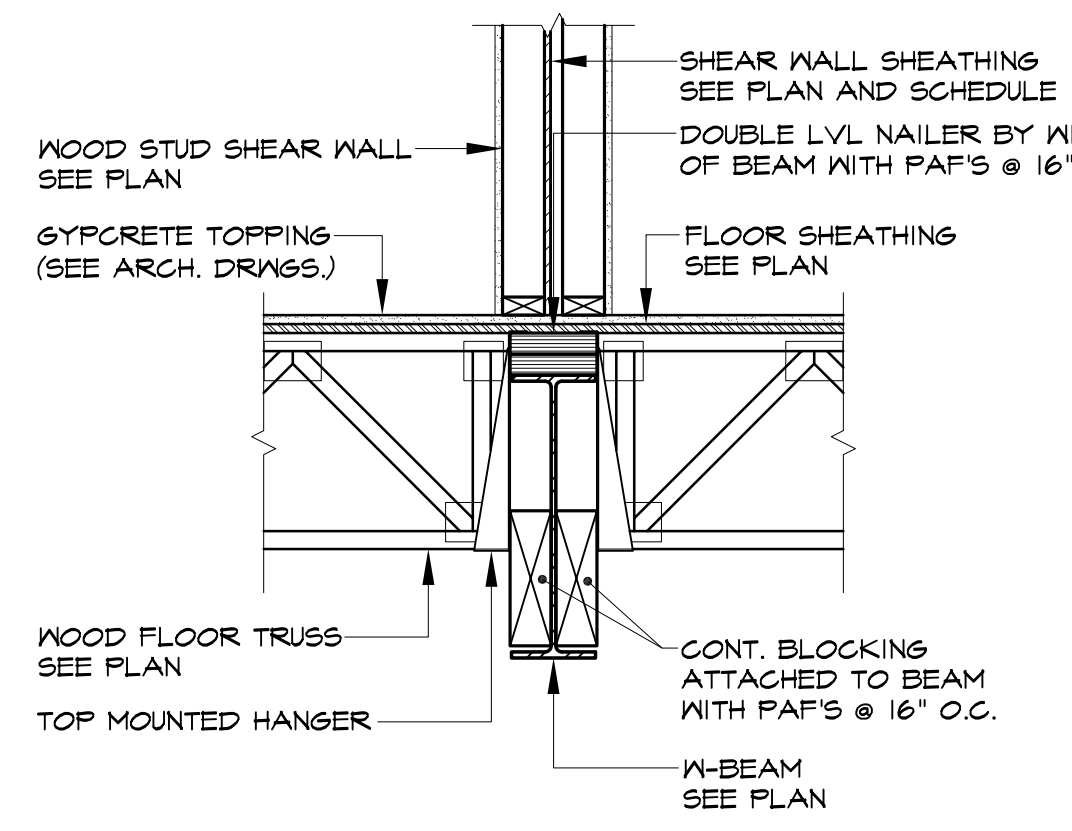
SECTION 5
 3/4" = 1'-0" S5.02



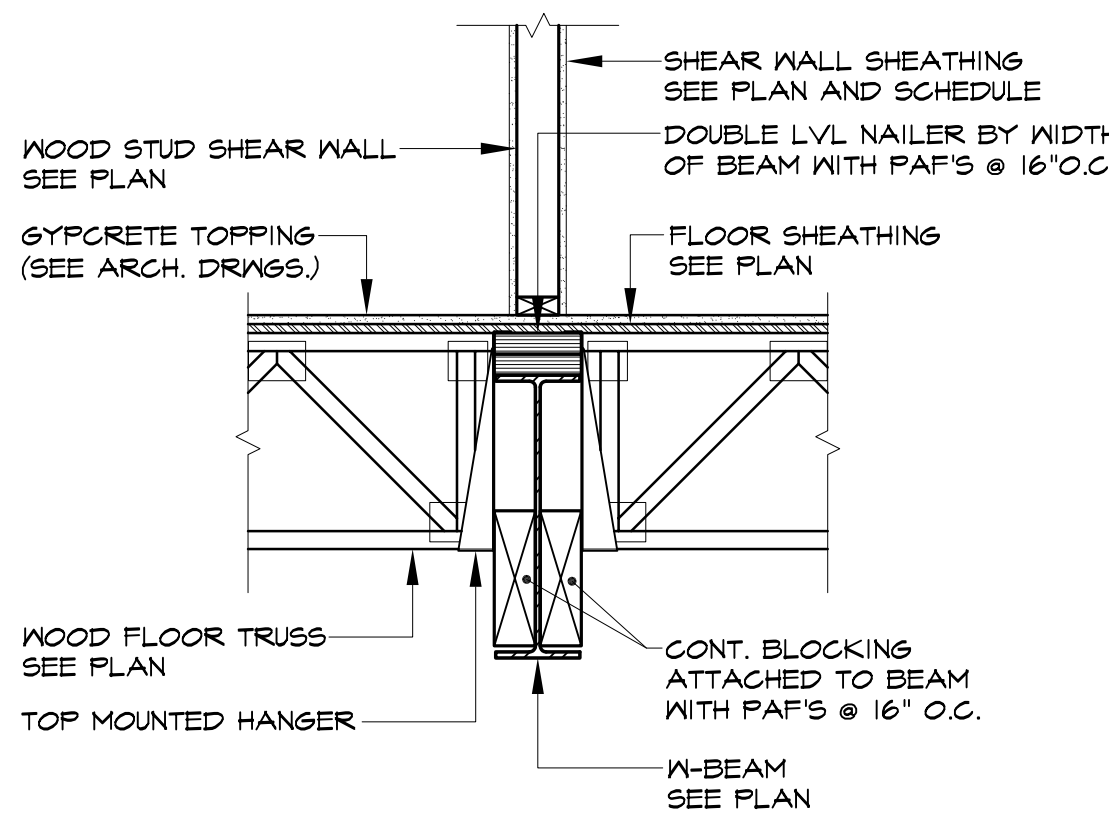
SECTION 6
 3/4" = 1'-0" S5.02



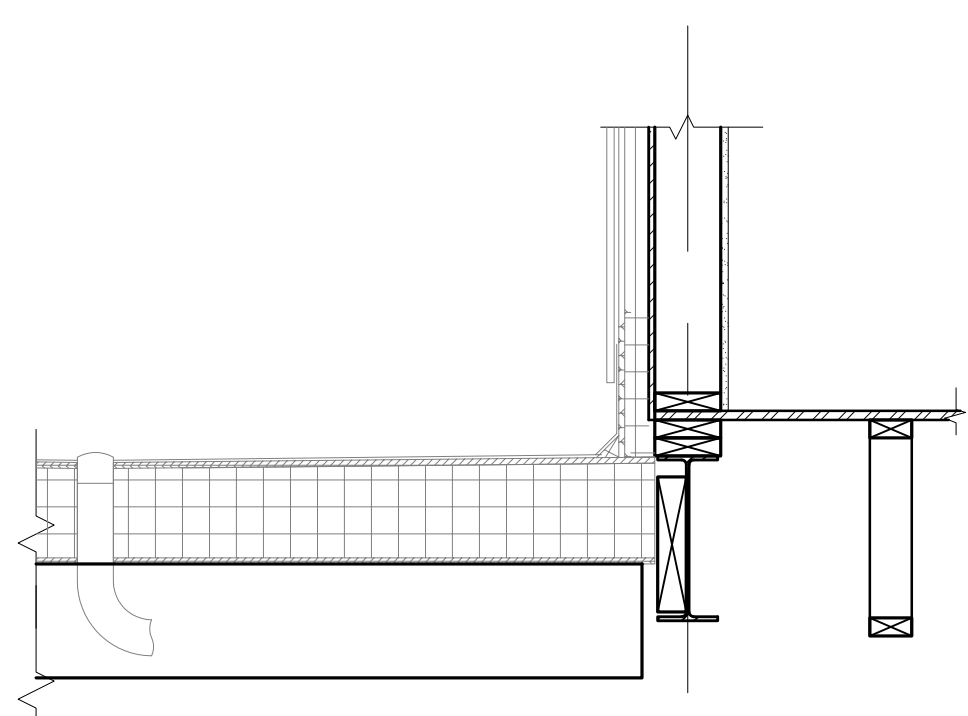
SECTION 7
 3/4" = 1'-0" S5.02



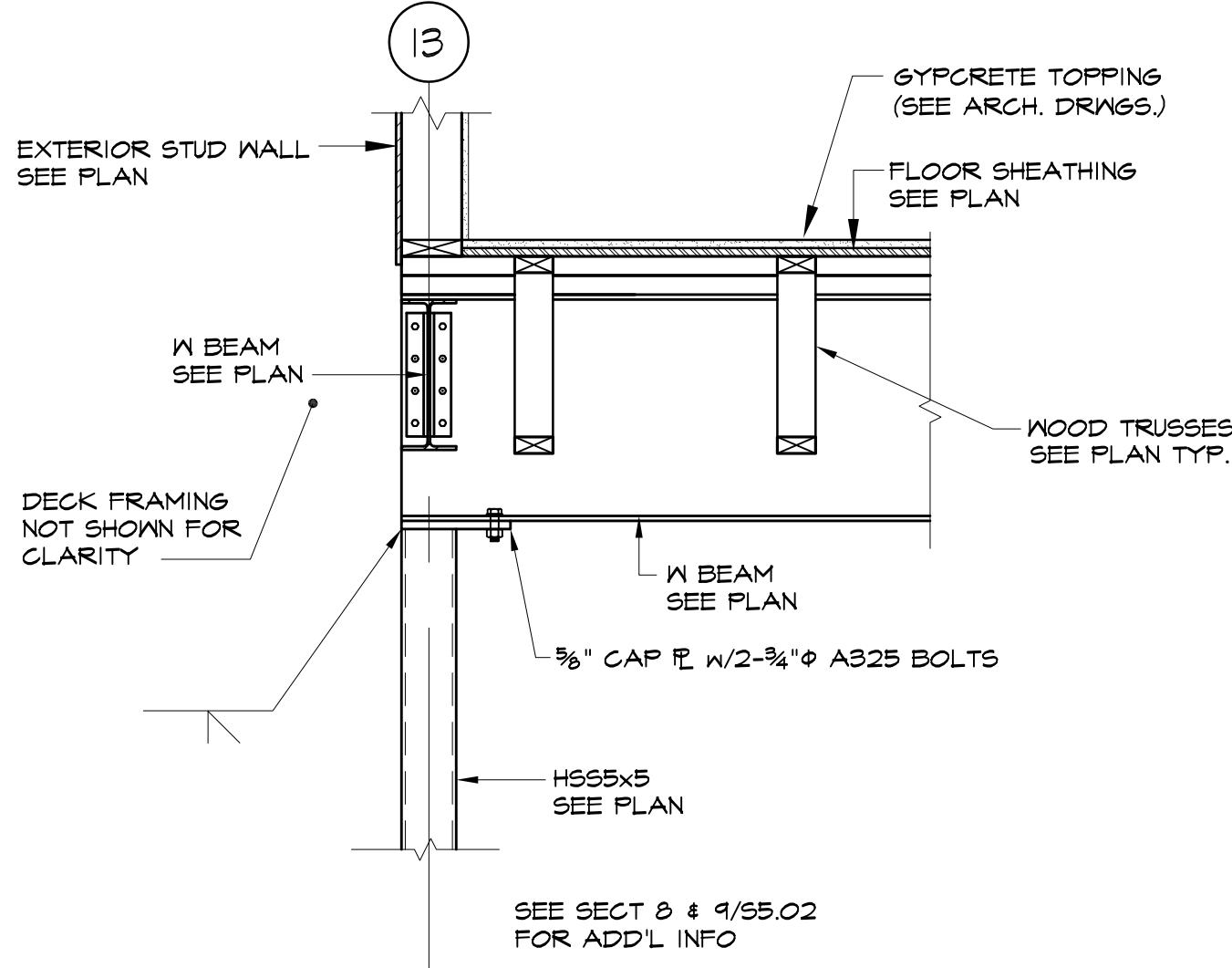
SECTION 8
 3/4" = 1'-0" S5.02
 TYPICAL DETAIL OF SHEAR WALL TO STEEL BEAM DETAIL



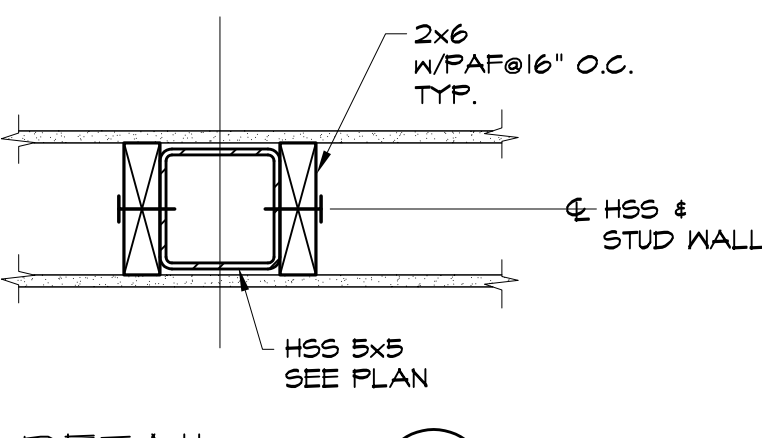
SECTION 9
 3/4" = 1'-0" S5.02
 TYPICAL DETAIL OF SHEAR WALL TO STEEL BEAM DETAIL



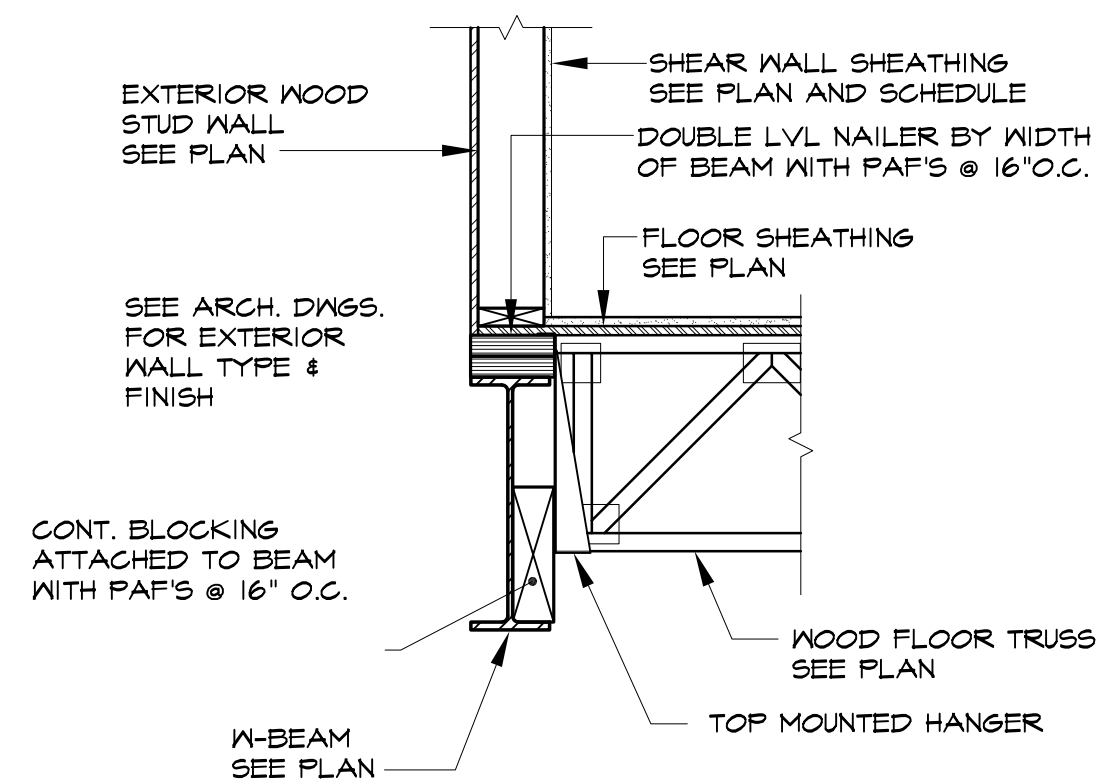
SECTION 10
 3/4" = 1'-0" S5.02



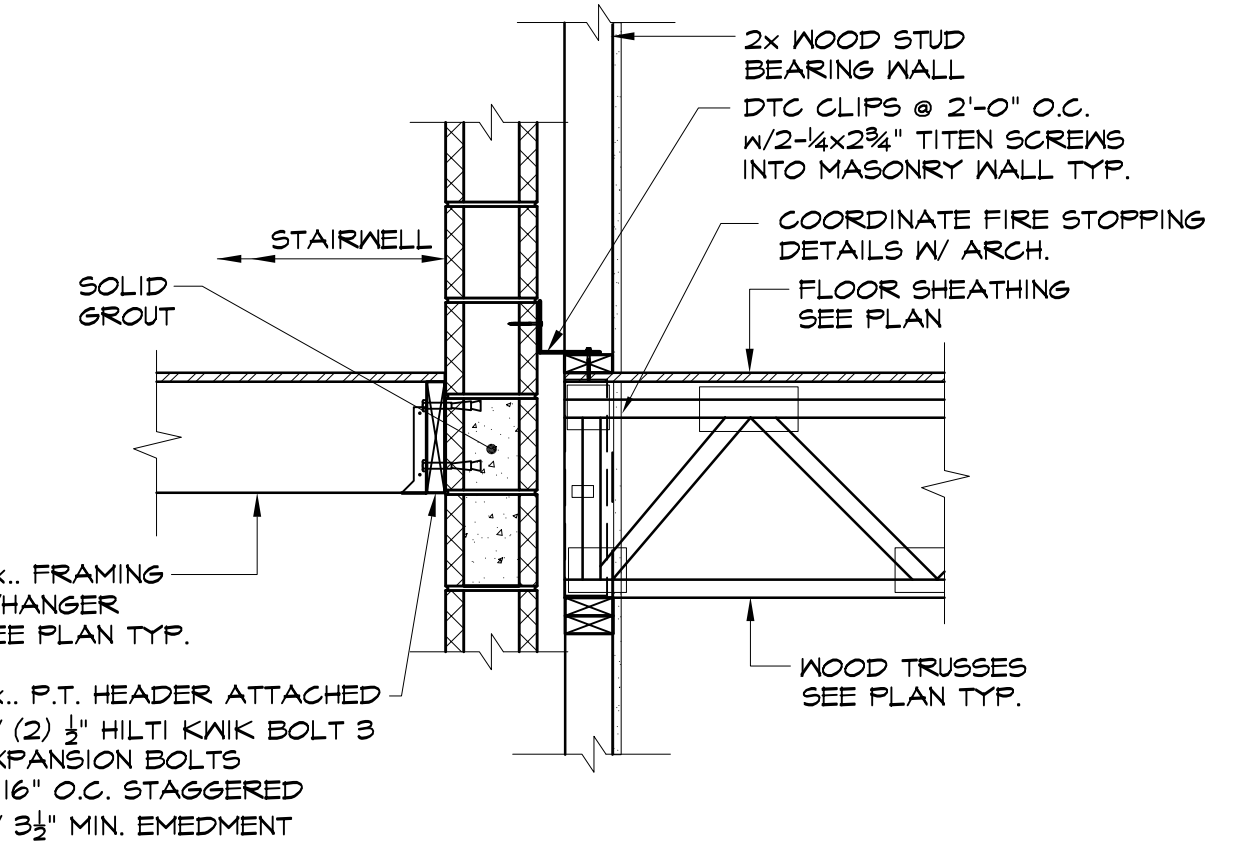
SECTION 11
 3/4" = 1'-0" S5.02



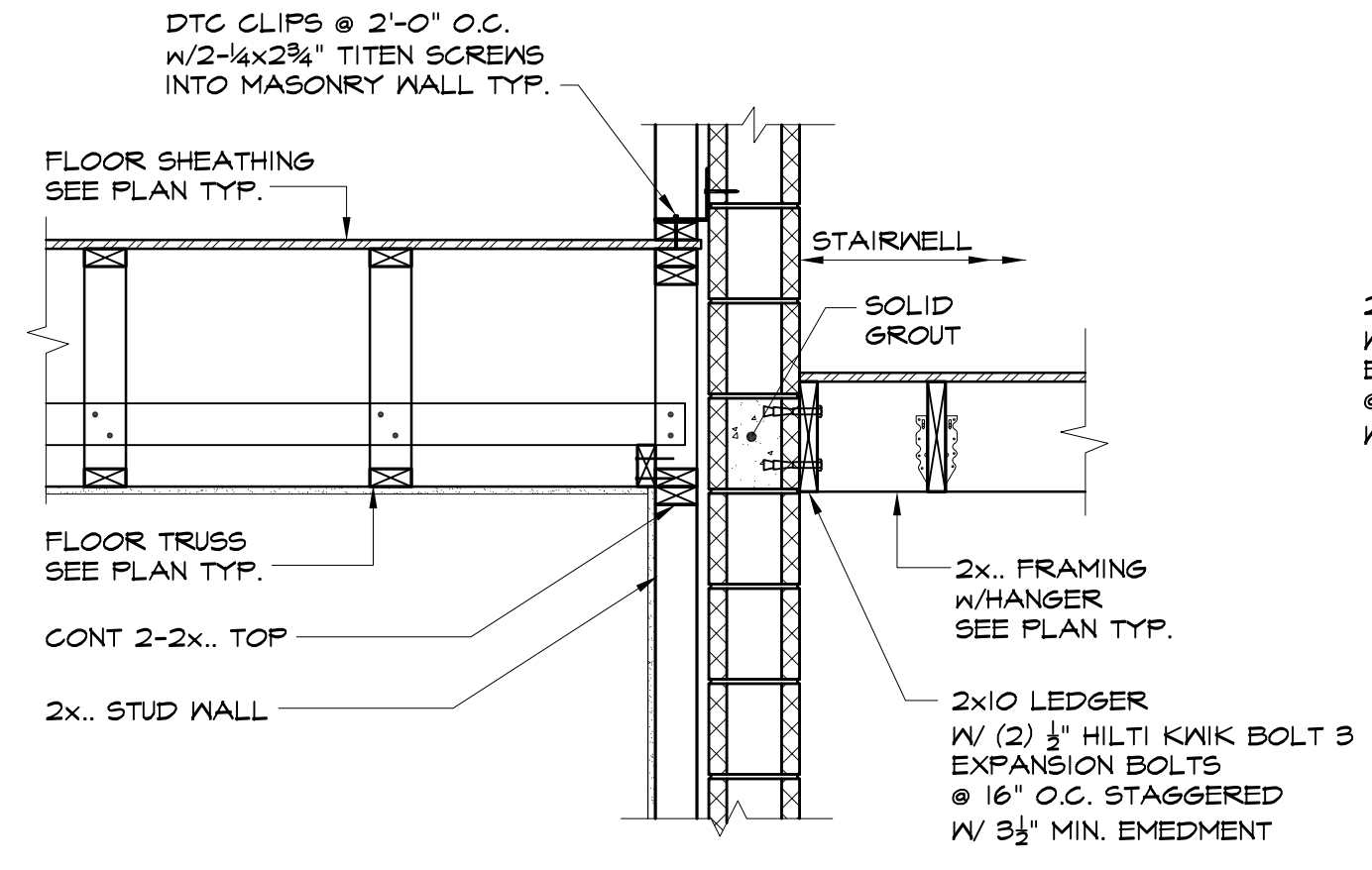
DETAIL A
 1/2" = 1'-0" S5.02



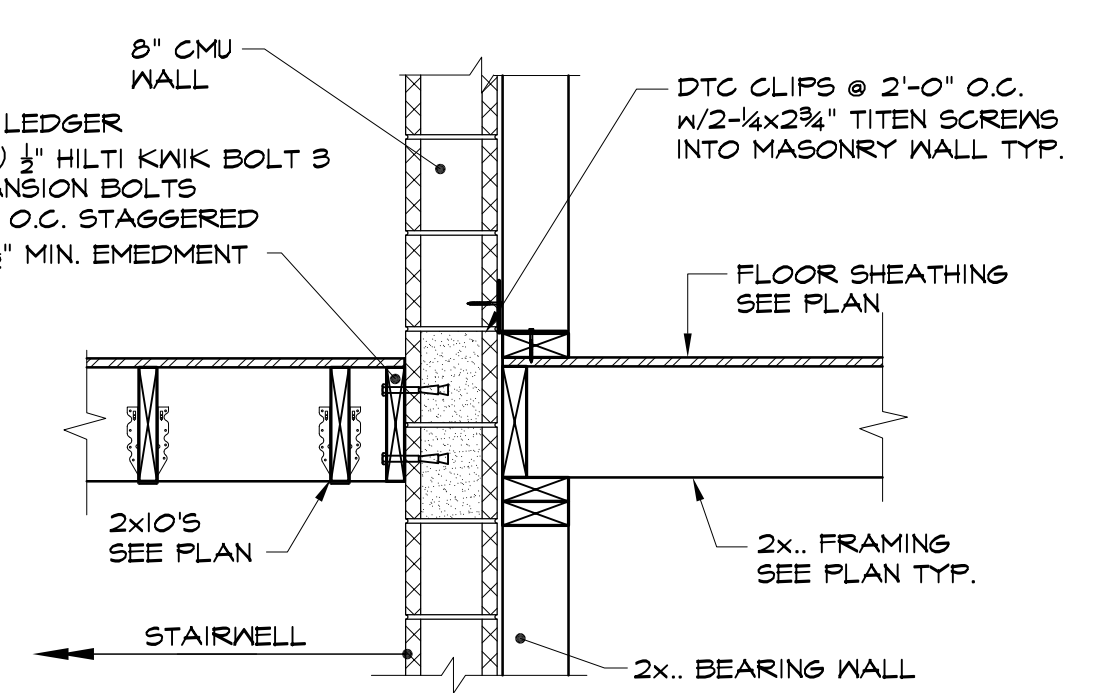
SECTION 12
 3/4" = 1'-0" S5.02



SECTION 13
 3/4" = 1'-0" S5.02



SECTION 14
 3/4" = 1'-0" S5.02



SECTION 15
 3/4" = 1'-0" S5.02

S5.02