

Prepared For:
BATEMAN PARTNERS, LLC.
 470 FORE STREET
 PORTLAND, ME 04101

Consultant:
VEITAS VEITAS engineers
 architects
 68 Granite Street, Suite 10184
 Portland, ME 04101
 TEL: (207) 772-2883 FAX: (207) 772-2883

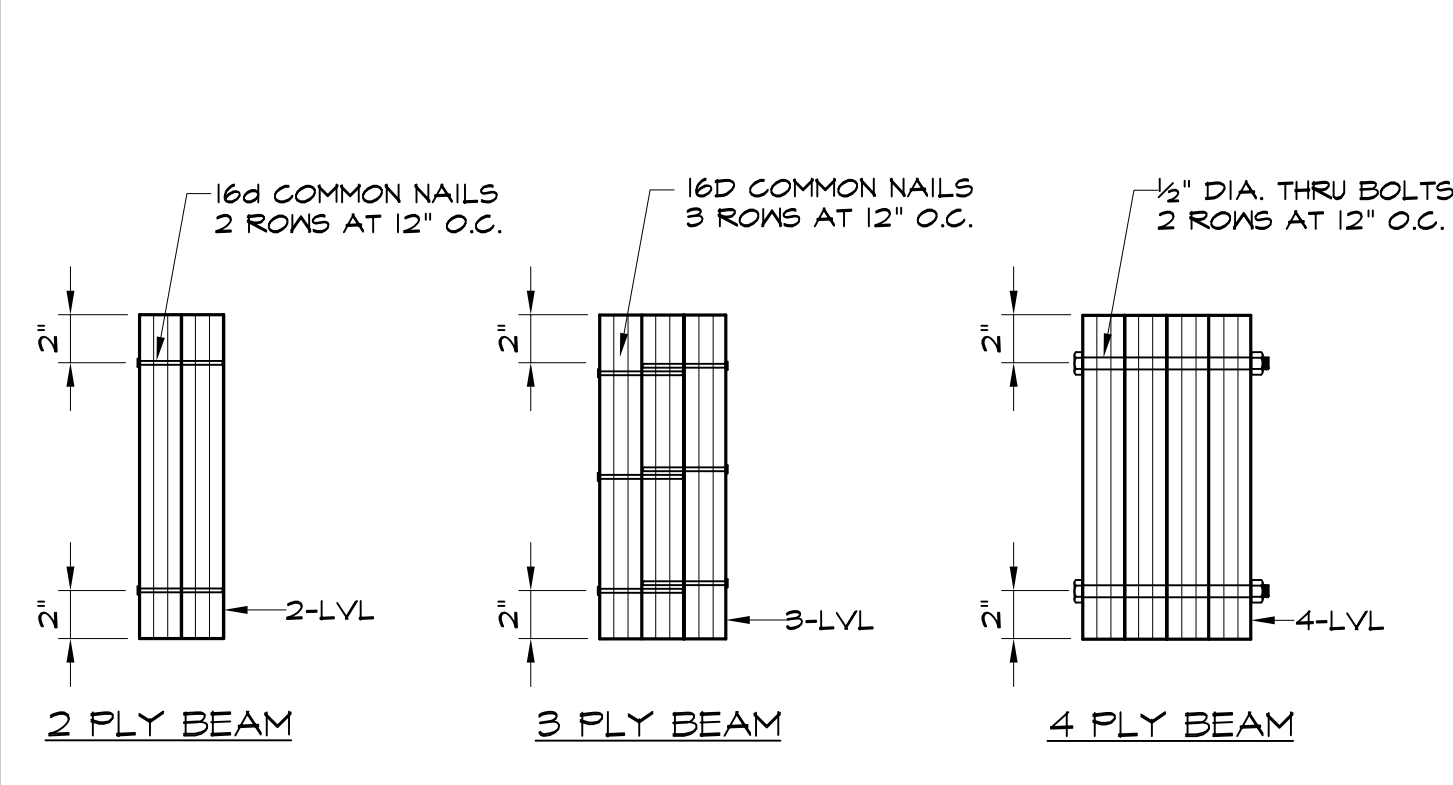
Architect:
ARCHETYPE architects
 48 Union Wharf Portland, Maine 04101
 (207) 772-6022 Fax (207) 772-4056

Project:
 185 FORE STREET
 185 Fore Street, Portland Maine

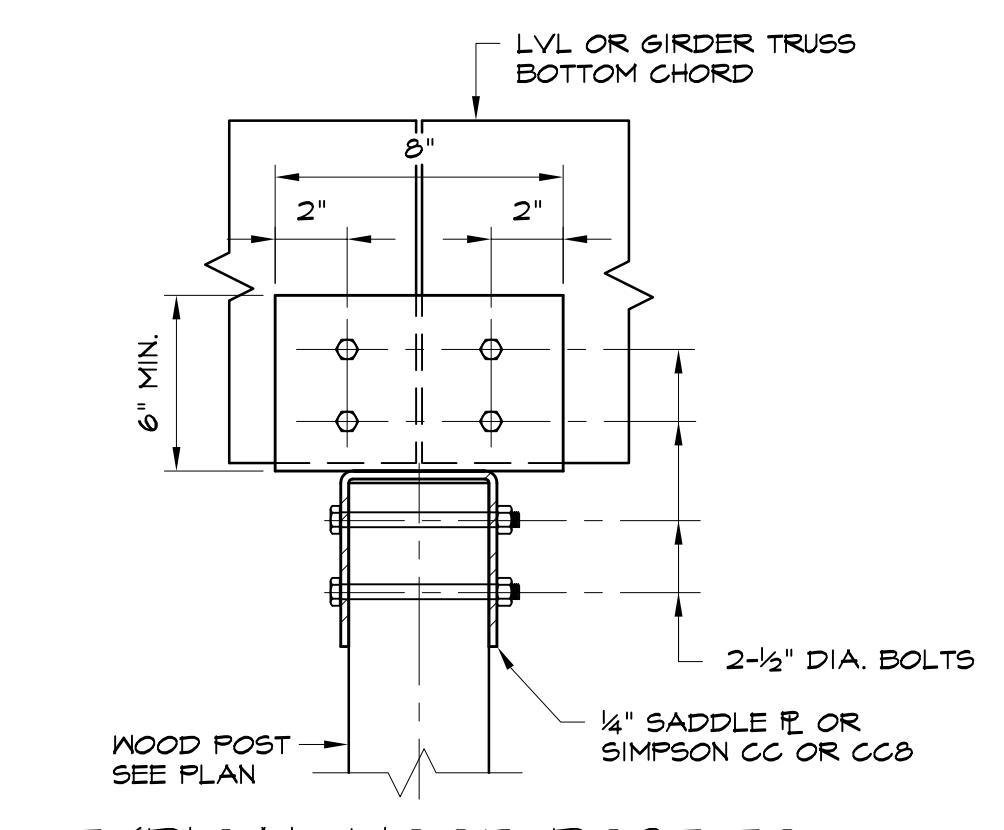
Revisions:
 1 05-22-2015 BID SET

Scale:
 16 JUNE, 2014
 Sections & Details

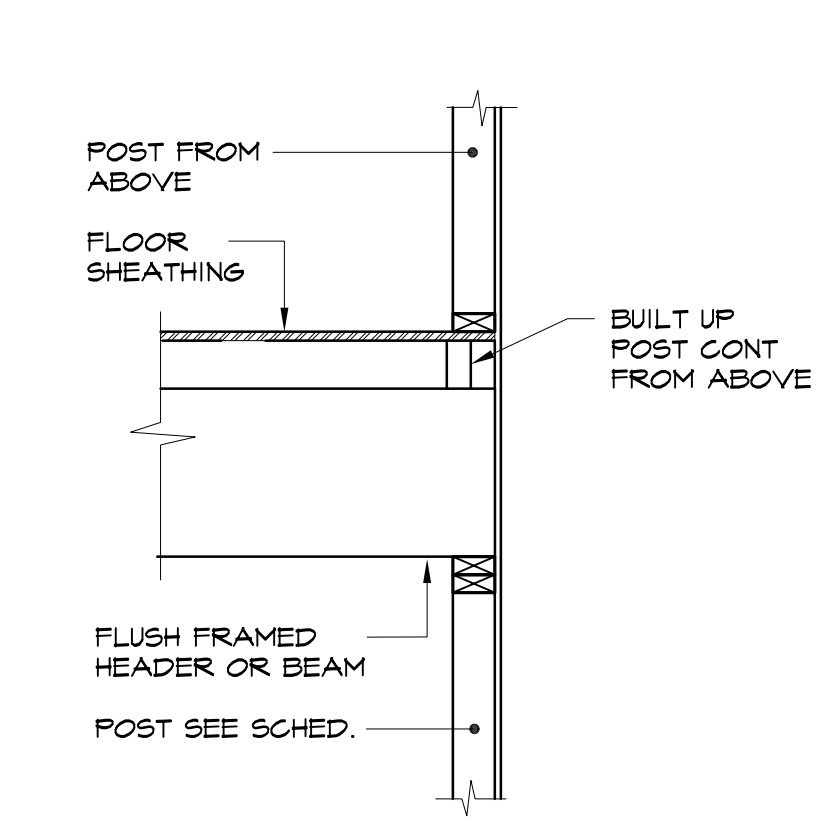
S5.01



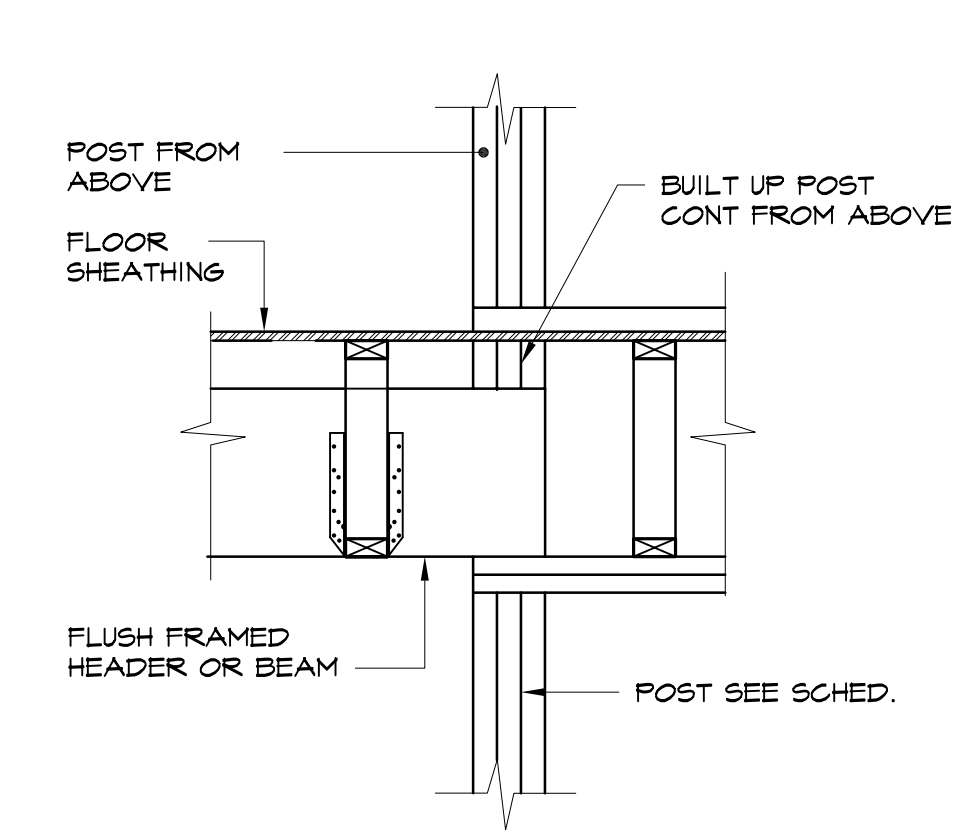
TYPICAL MULTIPLE PLY LVL BEAM DETAIL



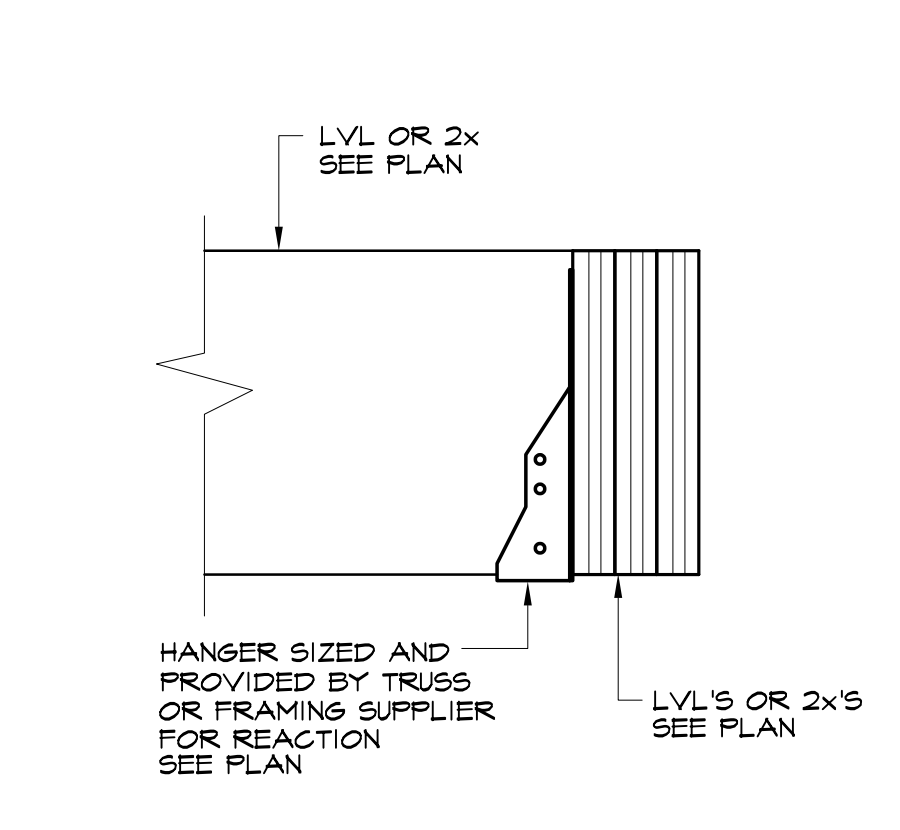
TYPICAL WOOD POST TO
 LVL/GIRDER TRUSS DETAIL



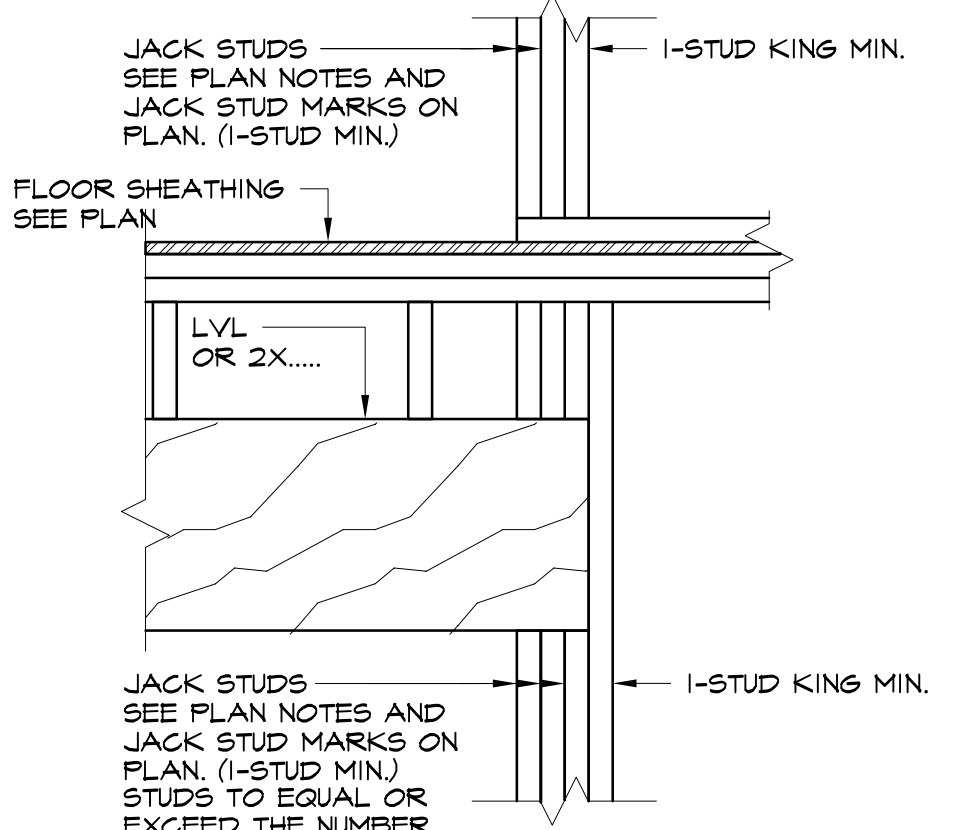
POST IN WALL



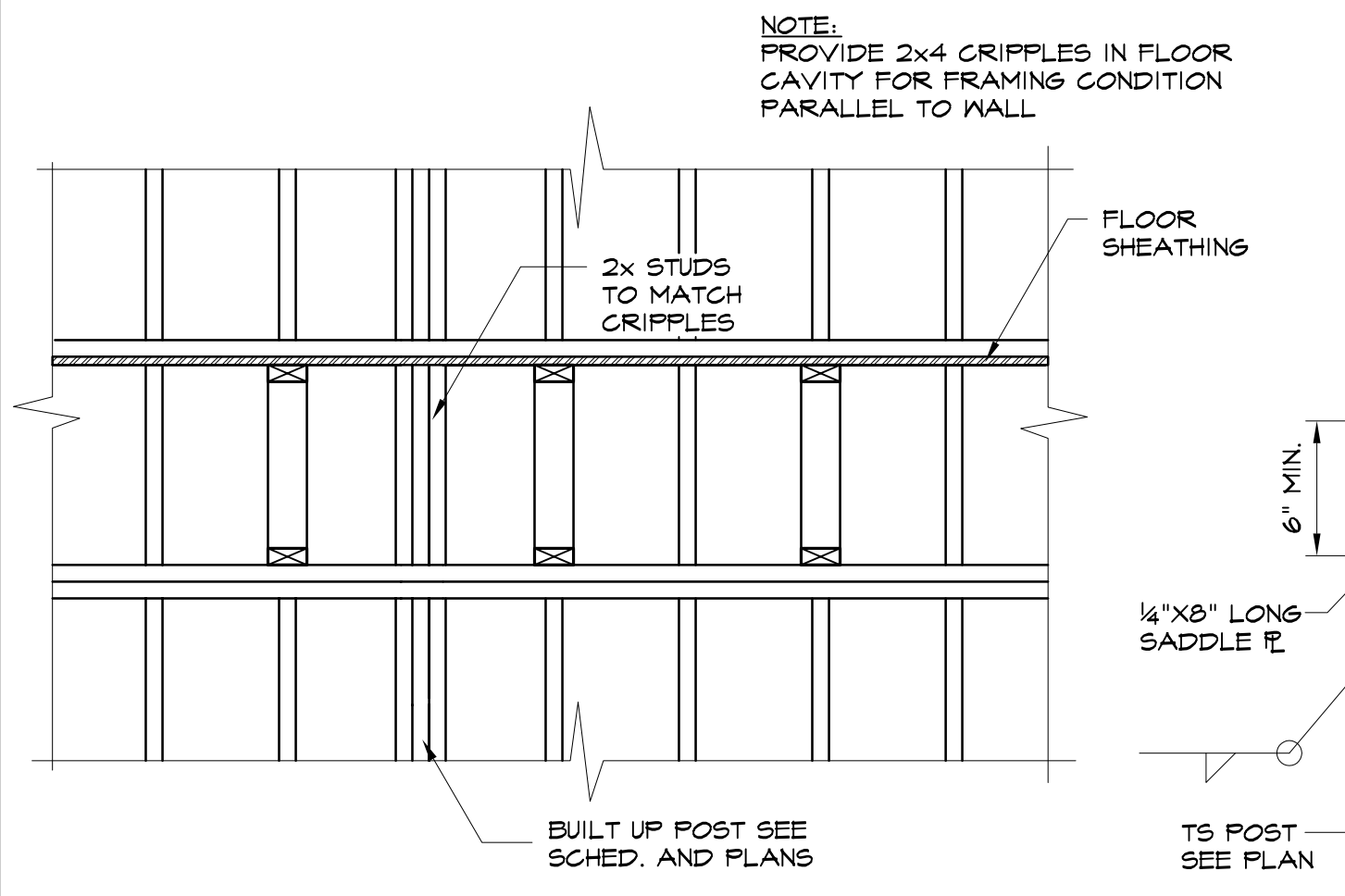
POST AT END OF WALL



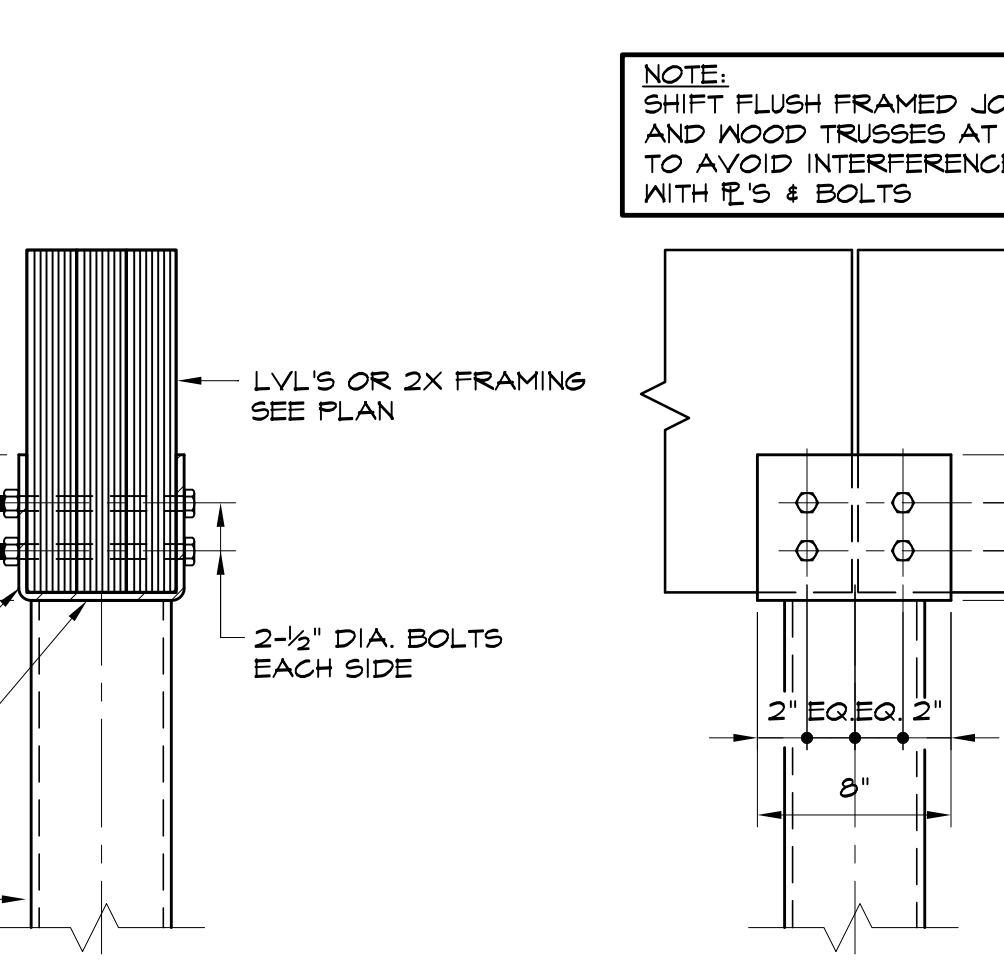
LVL OR 2x HANGER DETAIL



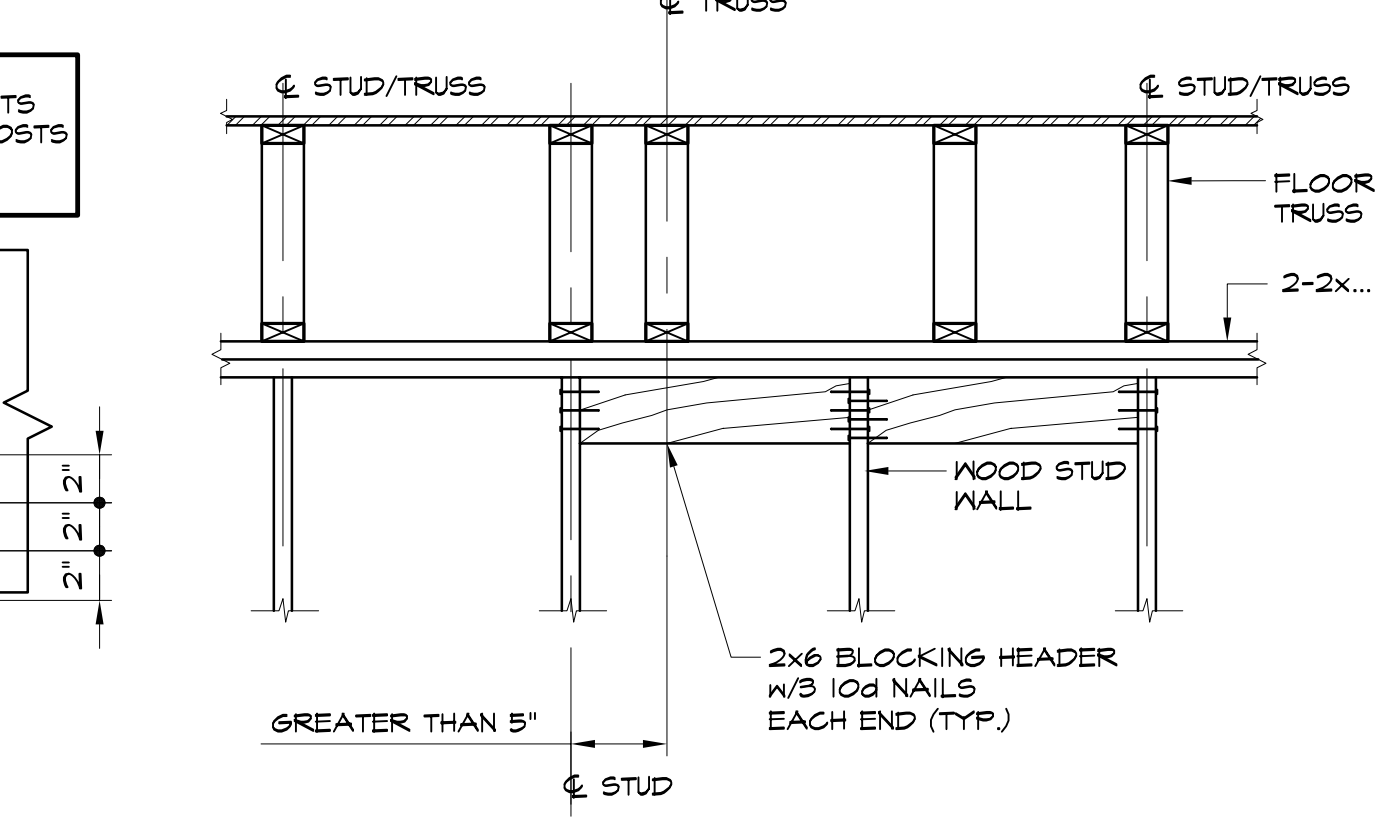
TYPICAL JACK STUD DETAIL



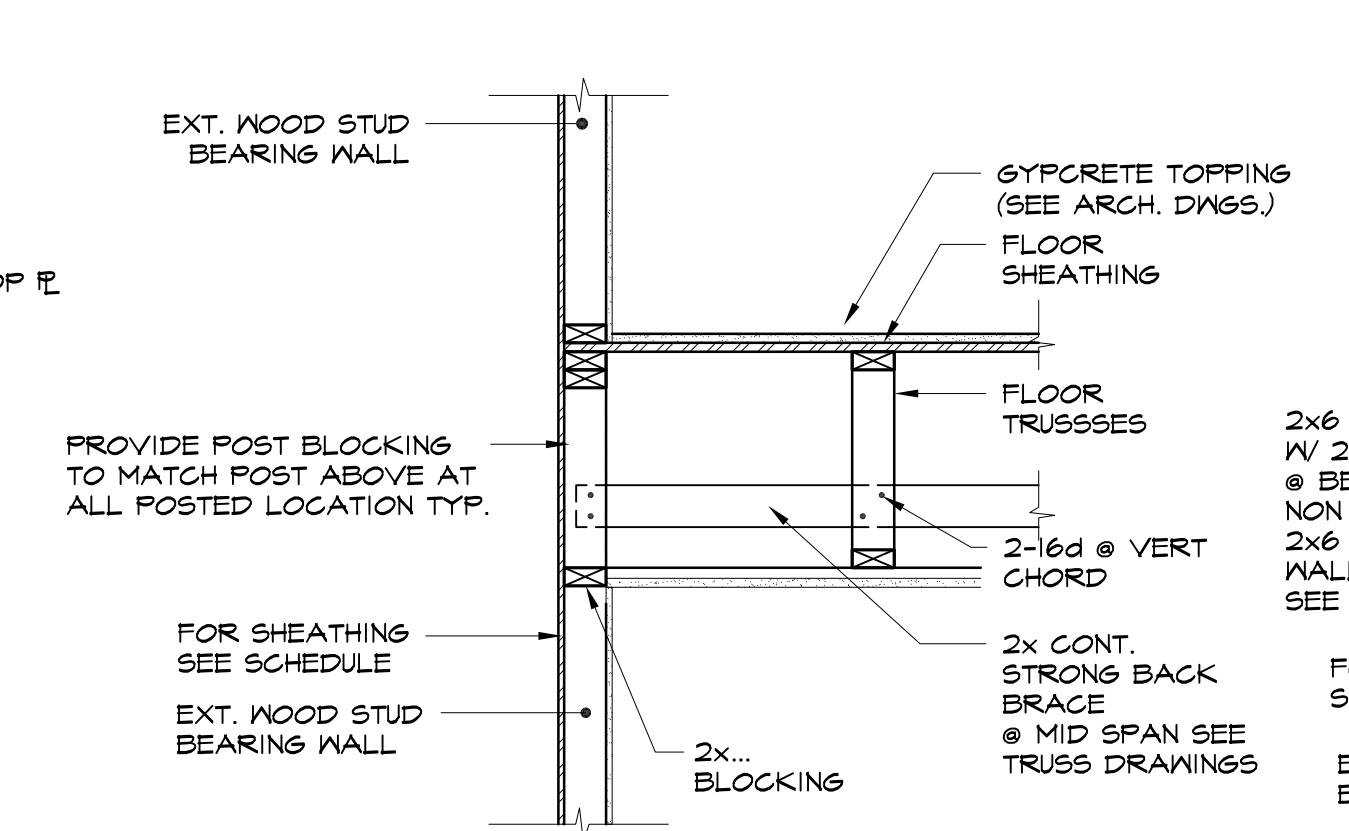
TYPICAL WOOD POST THROUGH
 FLOOR TRUSSES AT BEARING WALLS



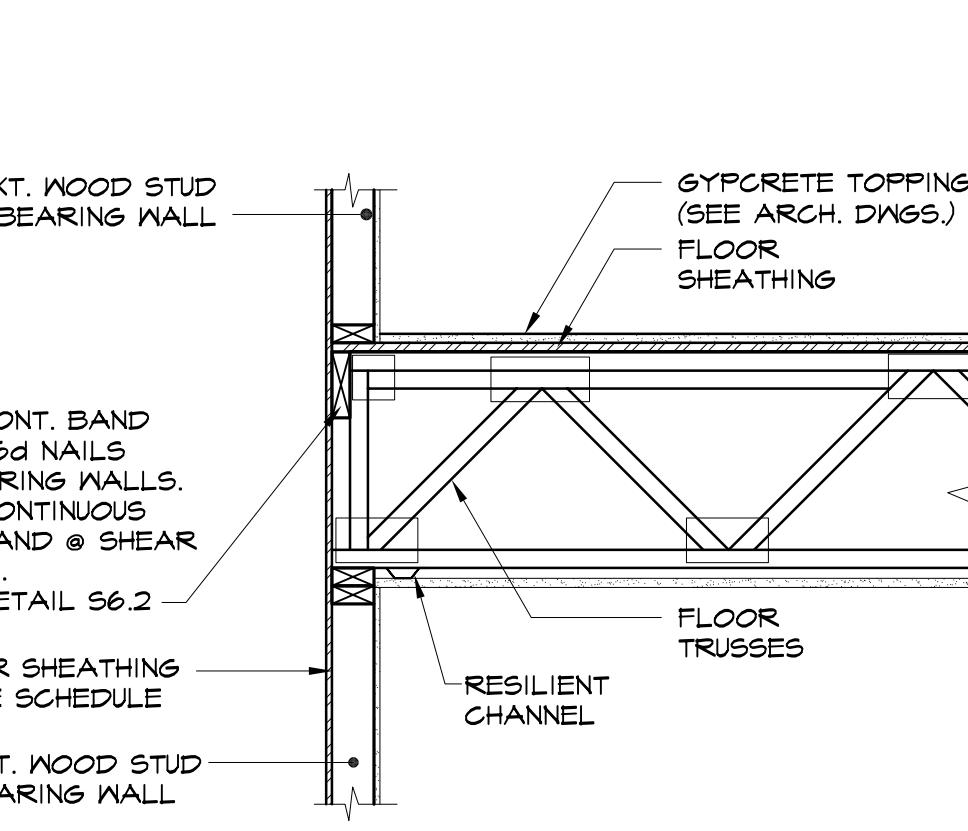
TYPICAL STEEL POST
 TO LVL DETAIL



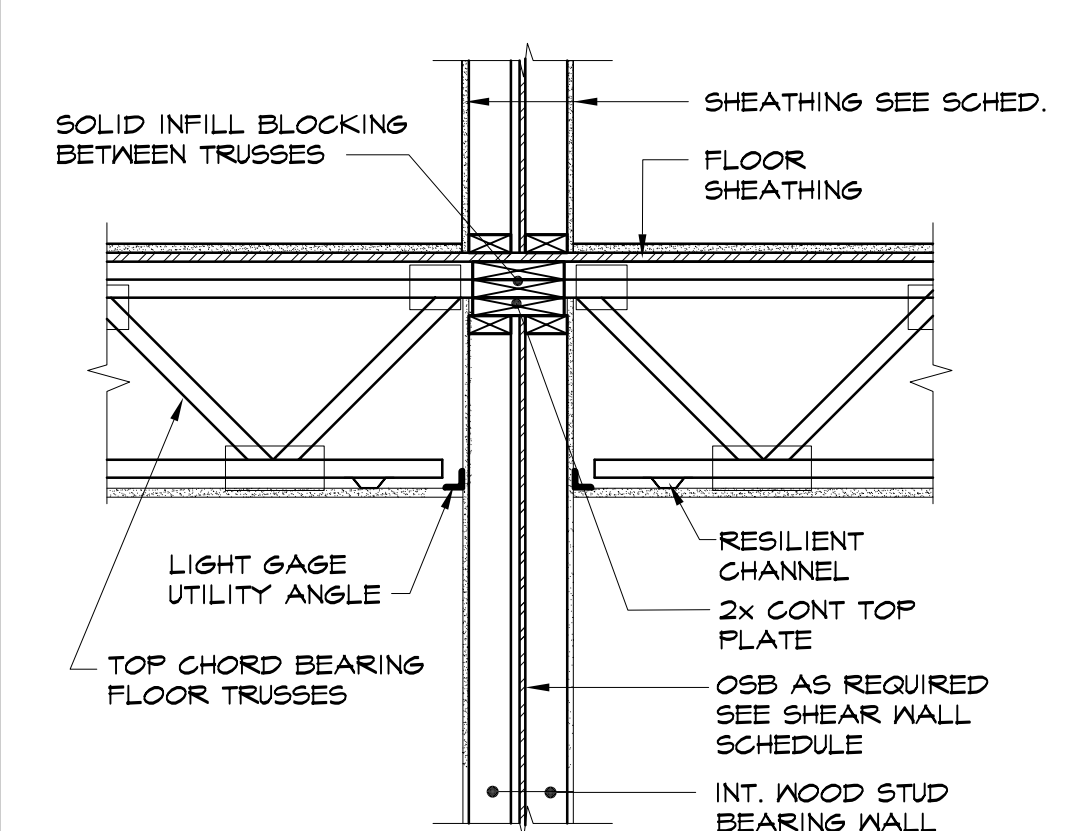
TYPICAL BLOCKING DETAIL
 AT MISALIGNED FLOOR TRUSS
 OVER 2x4 @ 24" O.C. STUD BEARING WALL



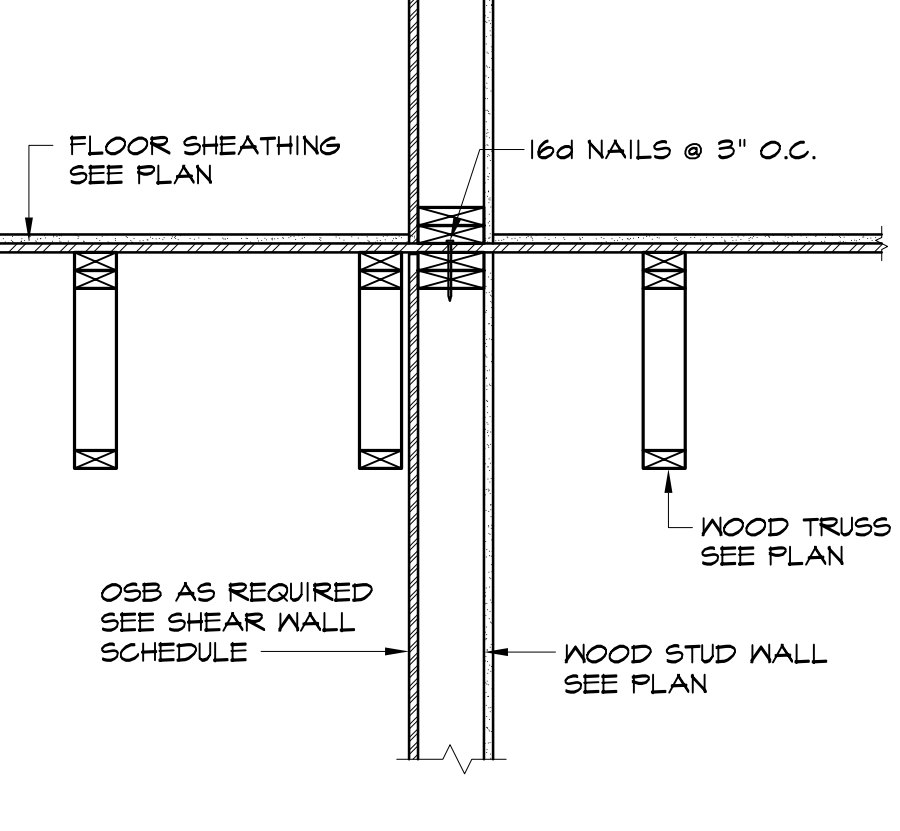
SECTION 1
 3/4" = 1'-0" (S5.01)



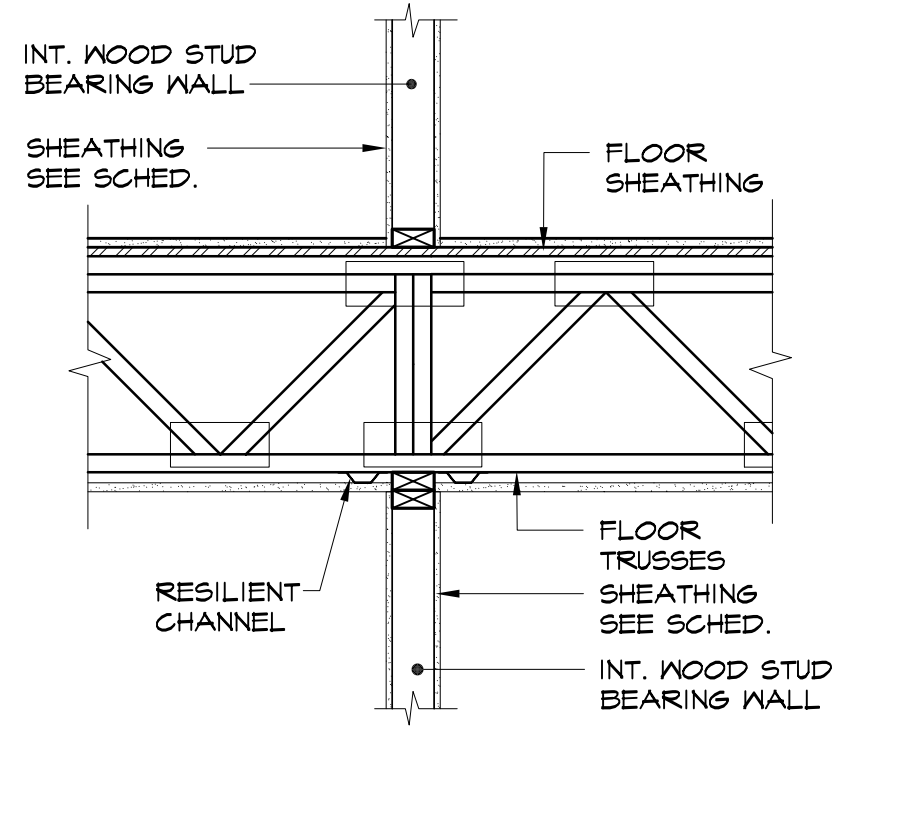
SECTION 2
 3/4" = 1'-0" (S5.01)



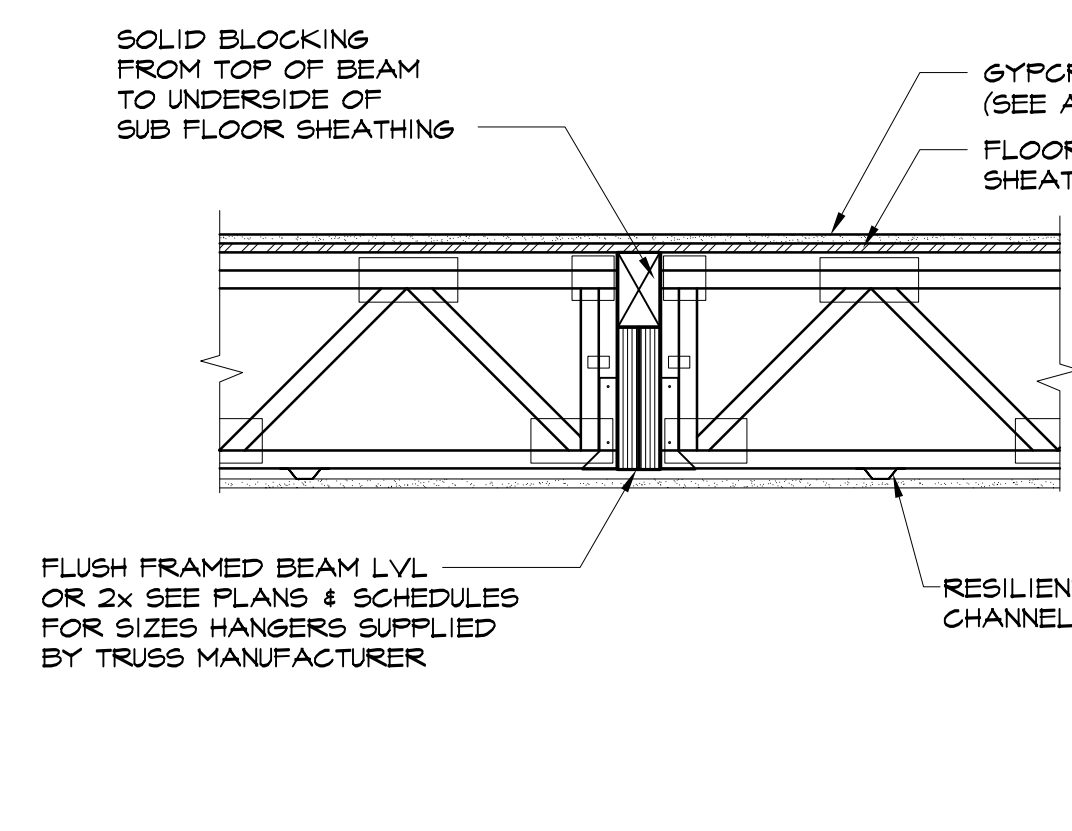
SECTION 3
 3/4" = 1'-0" (S5.01)



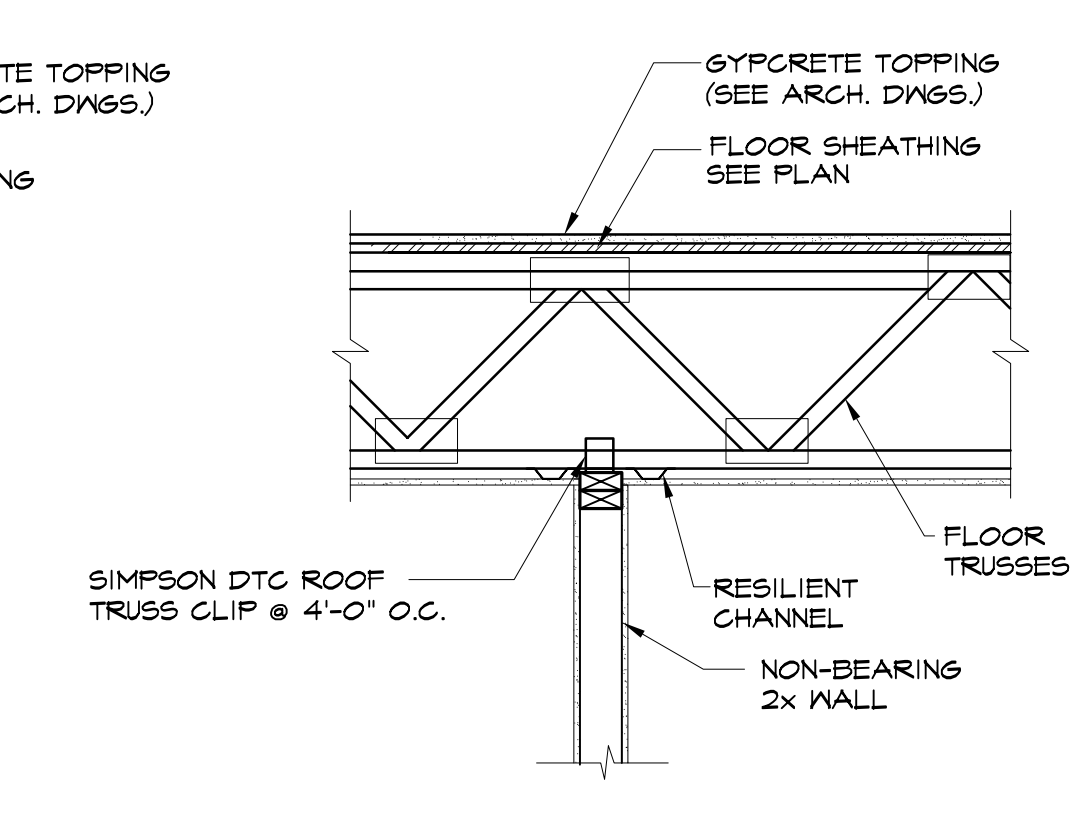
SECTION 4
 3/4" = 1'-0" (S5.01)



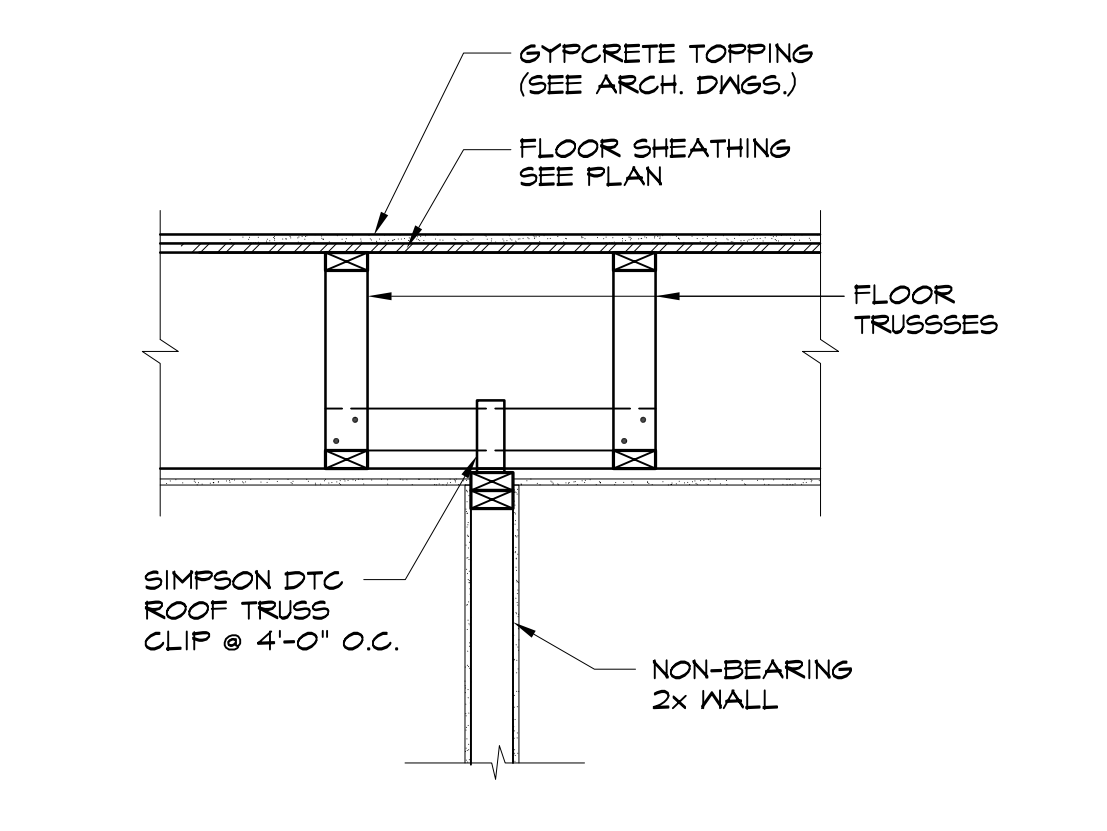
SECTION 5
 3/4" = 1'-0" (S5.01)



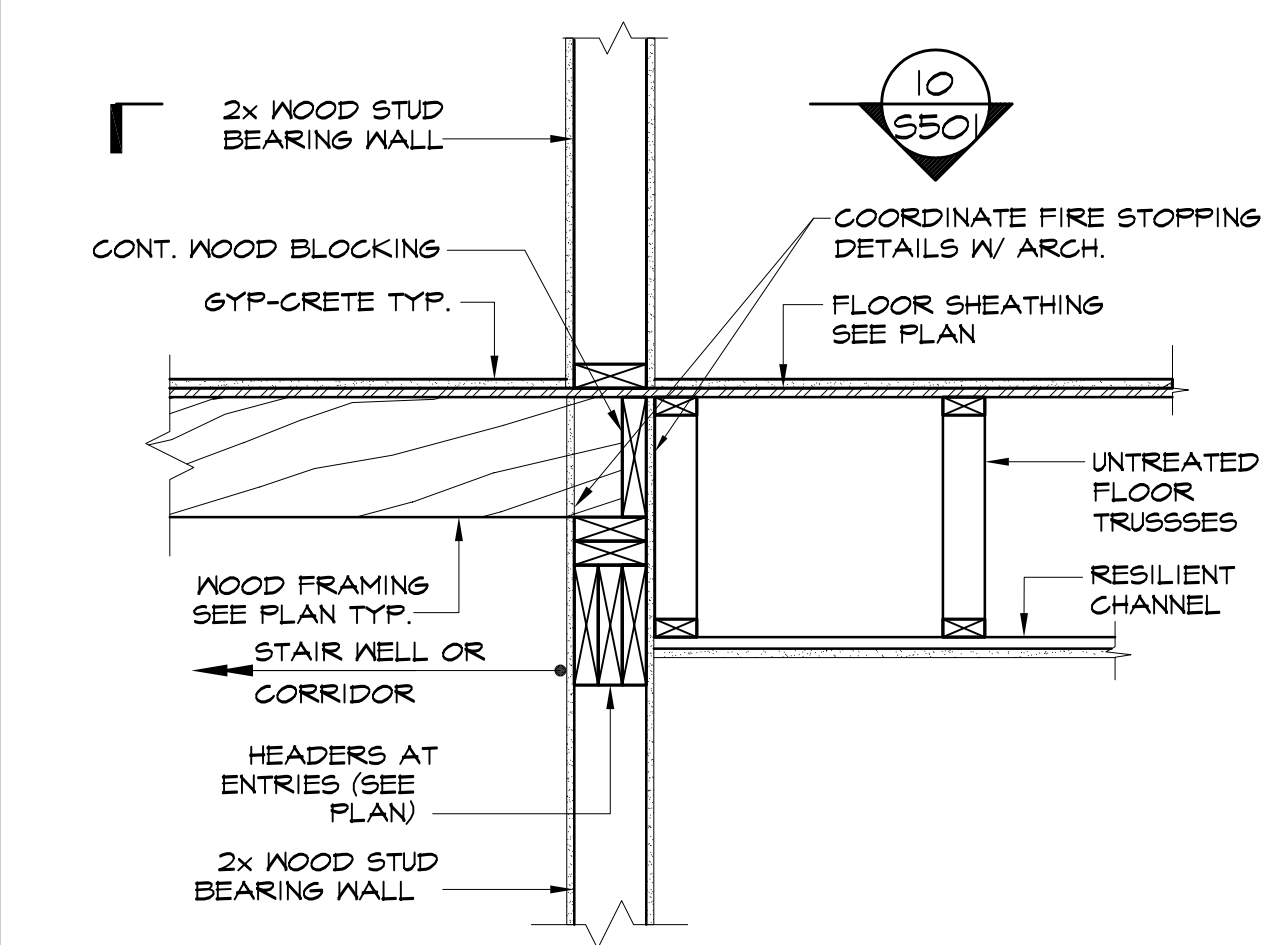
SECTION 6
 3/4" = 1'-0" (S5.01)



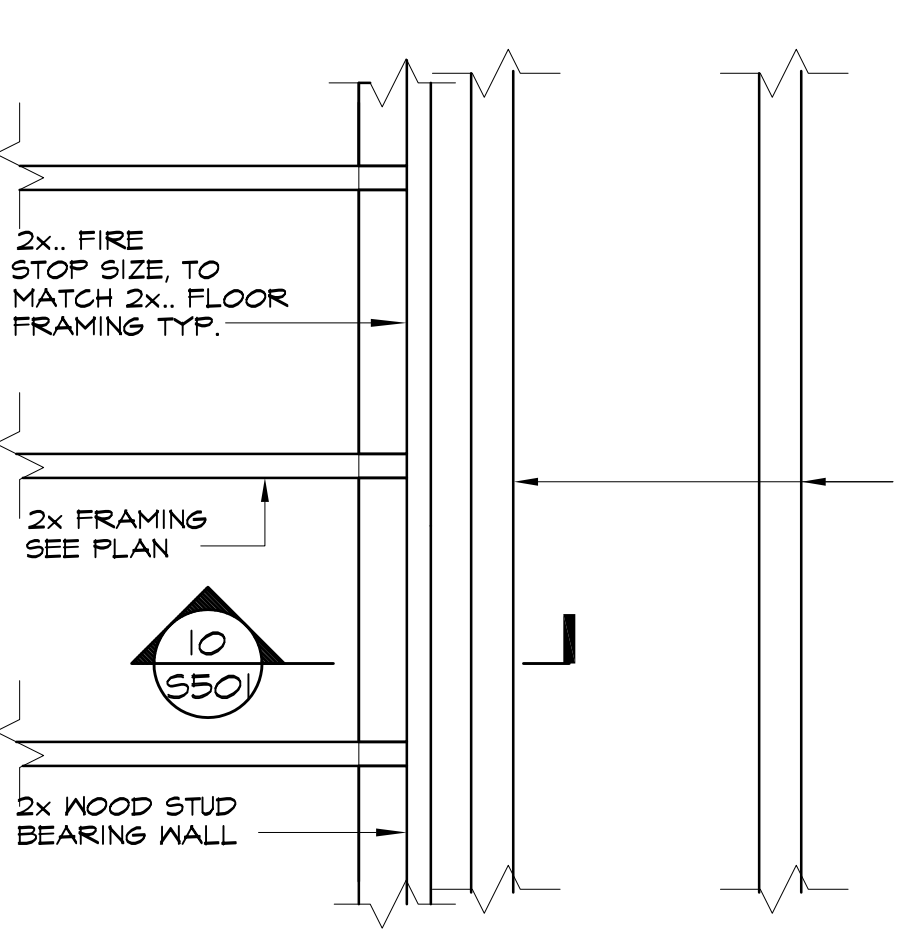
SECTION 7
 3/4" = 1'-0" (S5.01)



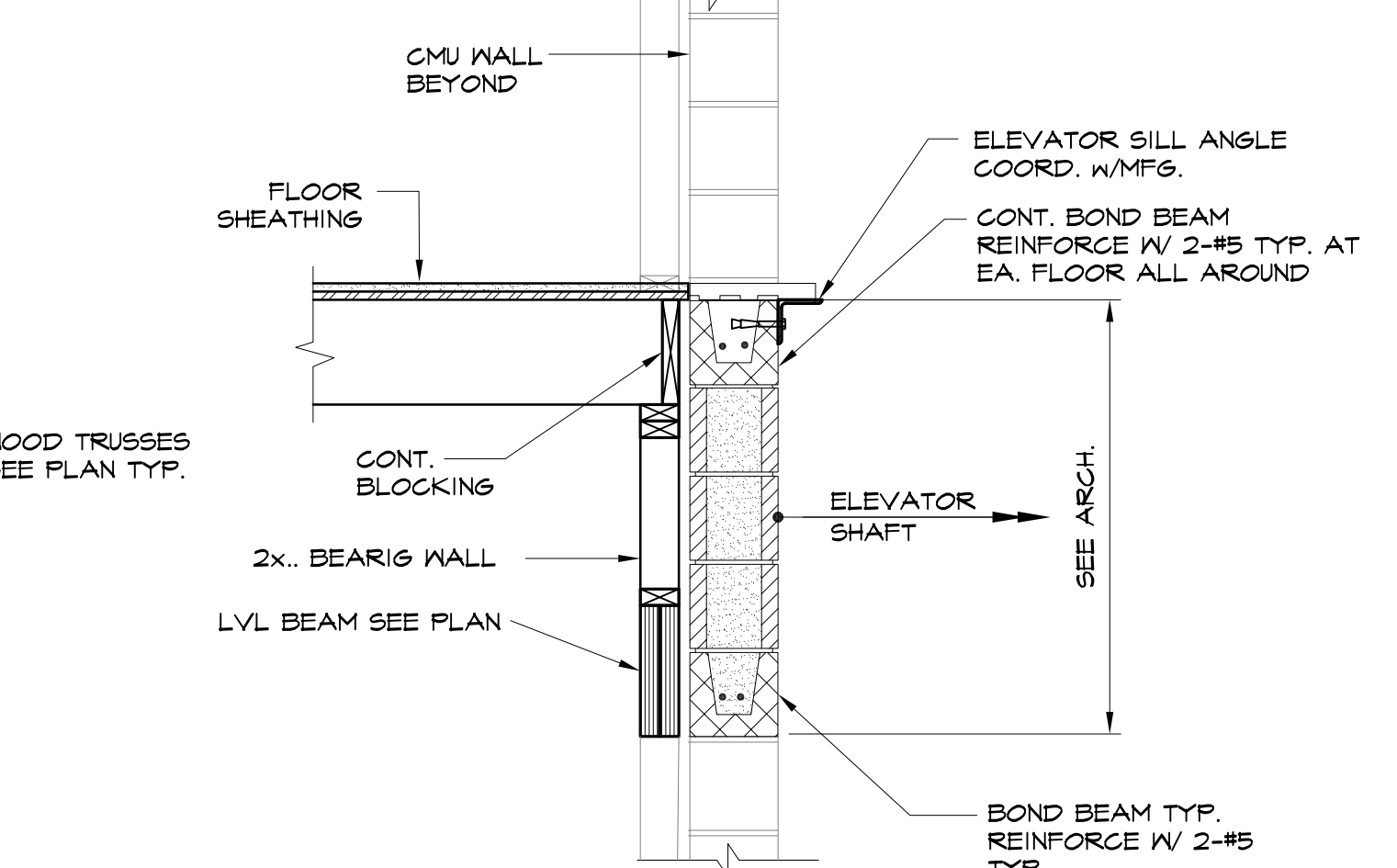
SECTION 8
 3/4" = 1'-0" (S5.01)



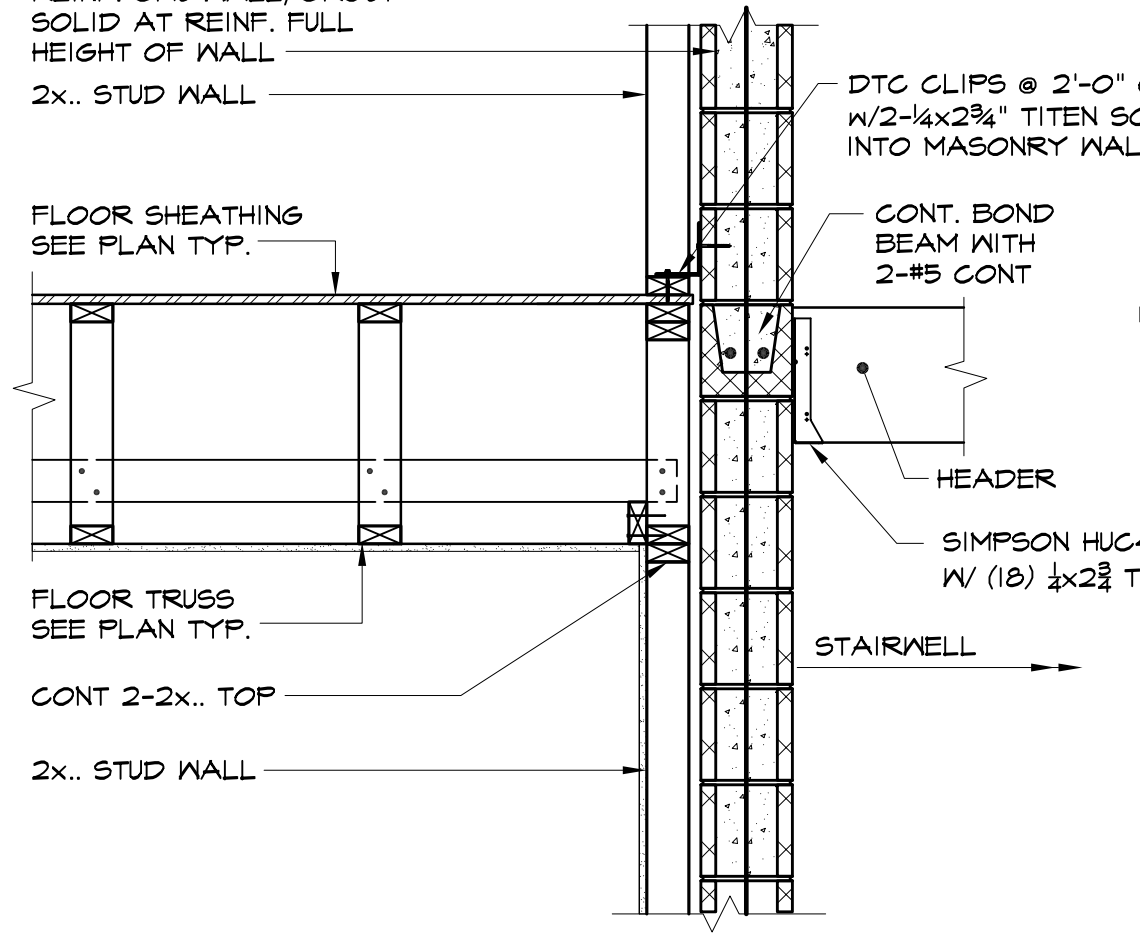
SECTION 9
 3/4" = 1'-0" (S5.01)



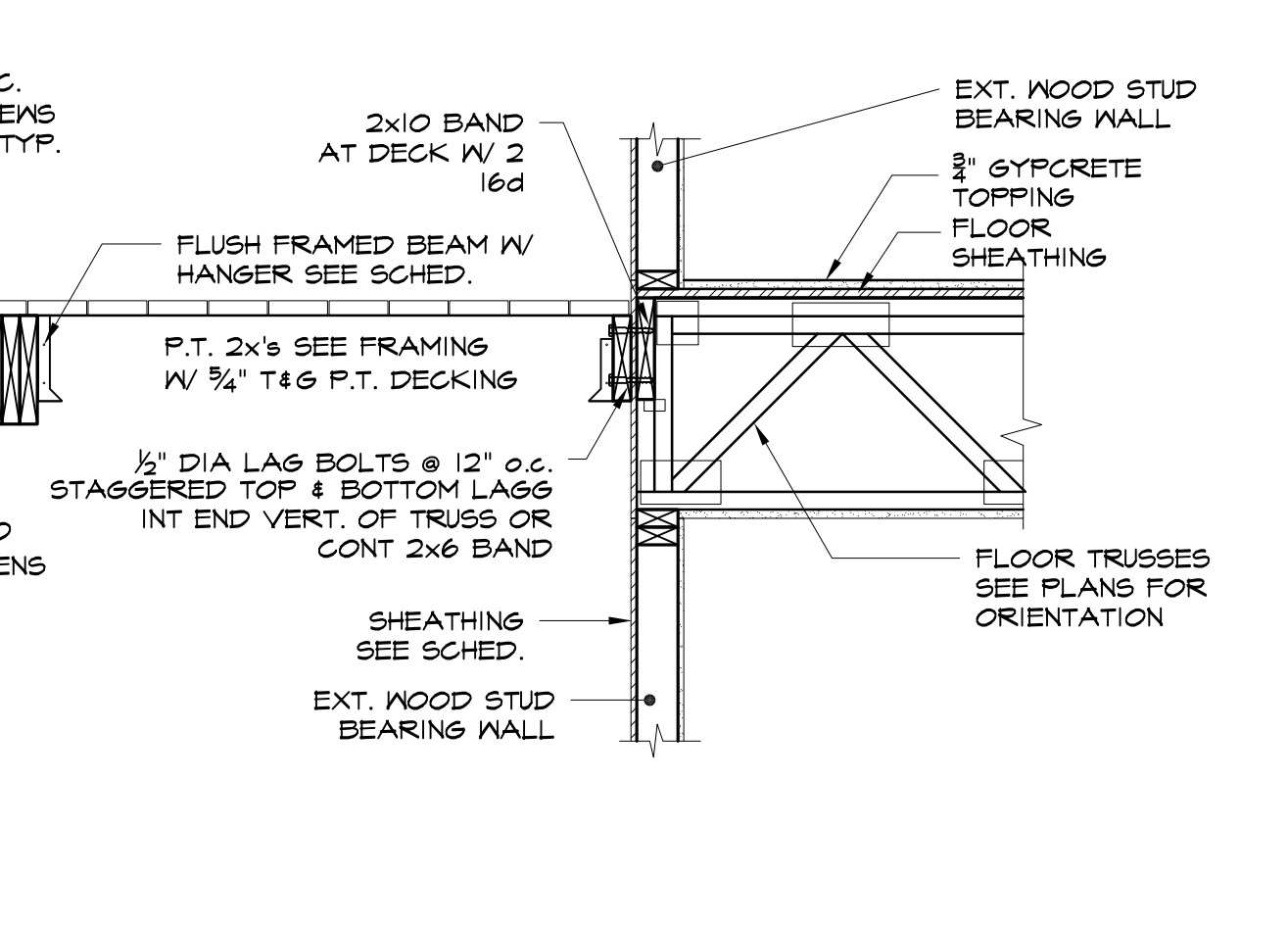
SECTION 10
 3/4" = 1'-0" (S5.01)



SECTION 11
 3/4" = 1'-0" (S5.01)



SECTION 12
 3/4" = 1'-0" (S5.01)



SECTION 13
 3/4" = 1'-0" (S5.01)