

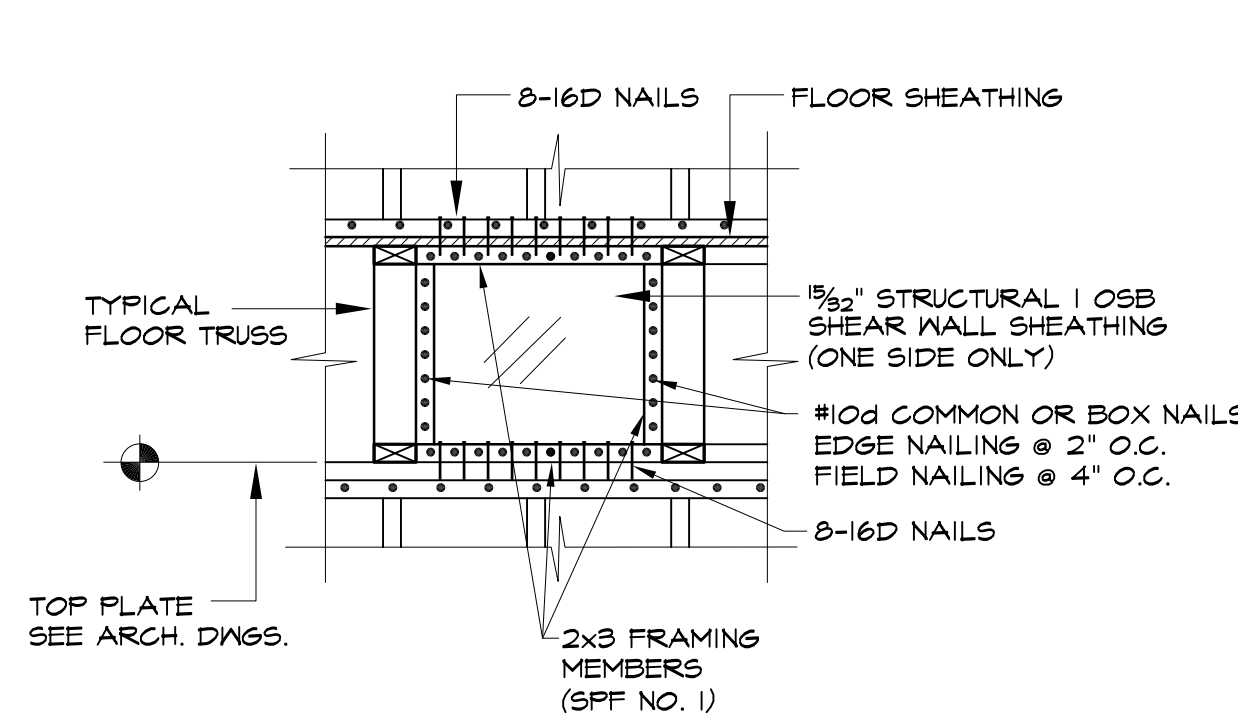
SHEAR WALL SCHEDULE

SWI-7/16" PLYWOOD(OSB) ONE SIDE

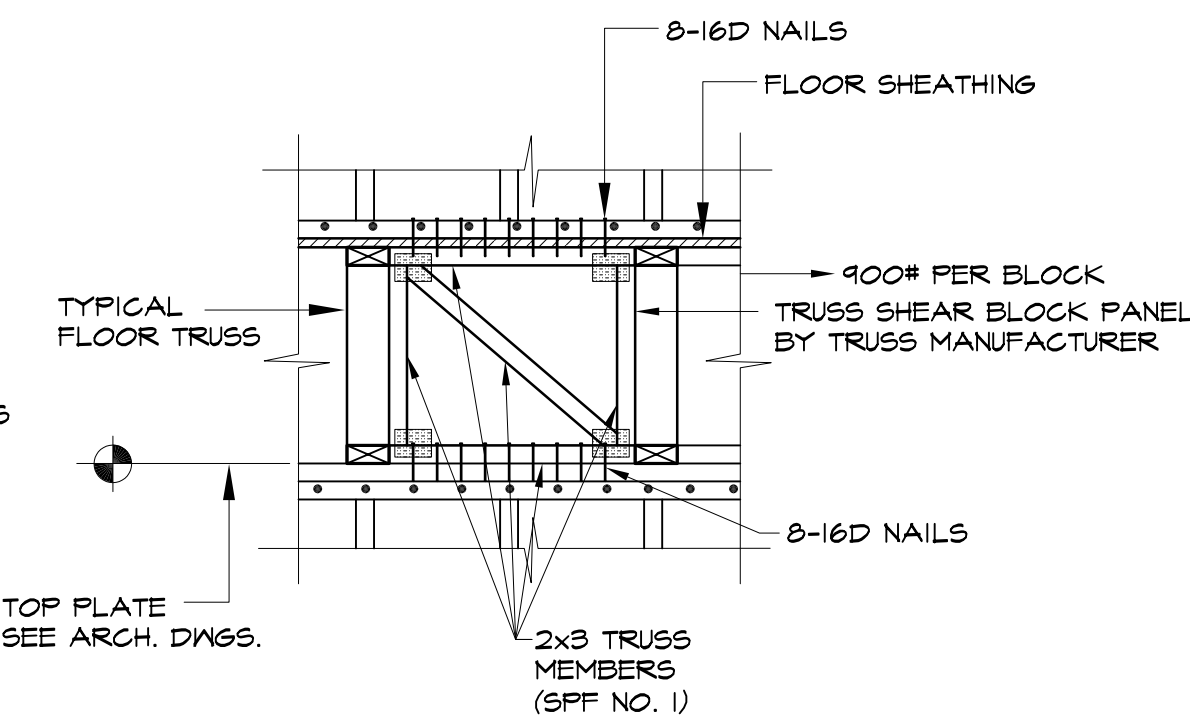
LEVEL	OSB-SHEATHING NAILING & BLOCKING	PLATE FASTENING & SHEAR BLOCKING	SHEAR WALL ANCHORAGE TYPE A		SHEAR WALL ANCHORAGE TYPE B		SHEAR WALL ANCHORAGE TYPE C		SHEAR WALL ANCHORAGE TYPE D		SHEAR WALL ANCHORAGE TYPE E		SHEAR WALL ANCHORAGE TYPE F		SHEAR WALL ANCHORAGE TYPE G		SHEAR WALL ANCHORAGE TYPE H		SHEAR WALL ANCHORAGE TYPE K		SHEAR WALL ANCHORAGE TYPE L			
			MALL CHORDS		MALL CHORDS		MALL CHORDS		MALL CHORDS		MALL CHORDS		MALL CHORDS		MALL CHORDS		MALL CHORDS		MALL CHORDS		MALL CHORDS		MALL CHORDS	
			LEFT CHORD	RIGHT CHORD	LEFT CHORD	RIGHT CHORD	LEFT CHORD	RIGHT CHORD	LEFT CHORD	RIGHT CHORD	LEFT CHORD	RIGHT CHORD	LEFT CHORD	RIGHT CHORD	LEFT CHORD	RIGHT CHORD	LEFT CHORD	RIGHT CHORD	LEFT CHORD	RIGHT CHORD	LEFT CHORD	RIGHT CHORD	LEFT CHORD	RIGHT CHORD
HIGH ROOF	EDGE NAIL TYPE & SPACING FIELD NAIL TYPE & SPACING BLOCKING	SHEAR BLOCK SPACING BOTTOM PLATE FASTENING	HOLDDOWNS / FLOOR TIES		HOLDDOWNS / FLOOR TIES		HOLDDOWNS / FLOOR TIES		HOLDDOWNS / FLOOR TIES		HOLDDOWNS / FLOOR TIES		HOLDDOWNS / FLOOR TIES		HOLDDOWNS / FLOOR TIES		HOLDDOWNS / FLOOR TIES		HOLDDOWNS / FLOOR TIES		HOLDDOWNS / FLOOR TIES			
ROOF	8d NAILS @ 6" o.c. 8d NAILS @ 6" o.c. BLOCKED	@6-0" @4-0"	X		2-2x... C522		2-2x... C522		2-2x... N/A		2-2x... N/A		X		X		X		X		2-2x... C522			
4TH FLOOR	8d NAILS @ 6" o.c. 8d NAILS @ 6" o.c. BLOCKED	@4-0"	X		2-2x... N/A		2-2x... N/A		2-2x... N/A		2-2x... C522		2-2x... C522		2-2x... C514		2-2x... C514		2-2x... N/A		2-2x... C522			
3RD FLOOR	8d NAILS @ 4" o.c. 8d NAILS @ 6" o.c. BLOCKED	@2-0"	X		2-2x... N/A		2-2x... N/A		2-2x... N/A		2-2x... 2-C510		2-2x... 2-C510		2-2x... C522		2-2x... C522		2-2x... 3-2x... 2-C516		2-2x... 2-C516			
2ND FLOOR	8d NAILS @ 3" o.c. 8d NAILS @ 6" o.c. BLOCKED	@2-0"	X		2-2x... N/A		2-2x... N/A		2-2x... N/A		2-2x... HDQ8-SDS3 1/8" ROD		2-2x... HDQ8-SDS3 1/8" ROD		2-2x... C520		2-2x... C520		2-2x... HDDQ11-SDS2.5 1" ROD		2-2x... HDDQ11-SDS2.5 1" ROD			
1ST FLOOR	8d NAILS @ 3" o.c. 8d NAILS @ 6" o.c. BLOCKED	AT INTERIOR WALLS HILTI X-CP-T2-P8-S23 @ 4' O.C. AT EXTERIOR WALLS SEE NOTE 4	X		2-2x... N/A		2-2x... N/A		2-2x... N/A		2-2x... N/A		2-2x... N/A		2-2x... HDU4-SDS2.5 5/8" ROD		2-2x... HDU4-SDS2.5 5/8" ROD		2-2x... STEEL COLUMN		2-2x... LAM 3/2x5/4 1" ROD			

- SHEAR WALL SCHEDULE NOTES:**
- IF PLYWOOD PANELS ARE ORIENTED HORIZONTALLY THE EDGES OF ALL PANELS SHALL BE BLOCKED W/ SOLID 2x... MEMBERS.
 - VERTICALLY ORIENTED PANELS SHALL HAVE SUFFICIENT LENGTH TO SPAN FROM BOTTOM PLATE TO MID HEIGHT OF THE TOP PLATE.
 - FILLER PANEL AT FLOOR CAVITIES SHALL BE ATTACHED TO THE TOP PLATE OF THE LOWER WALL AND THE BOTTOM PLATE OF THE HIGHER WALL. NAIL PATTERN SHALL BE THE SAME AS THE LOWER WALL.
 - AT EXTERIOR SHEARWALLS PROVIDE 1/2" J-BOLT (7" MIN. EMBEDMENT) W/ 3"x3"x1/4" PLATE WASHERS (GALV.) @ 3'-0" O.C. OR 1/2" SIMPSON TITEN HD (4 1/2" MIN. EMBEDMENT) W/ 3"x3"x1/4" PLATE WASHERS (GALV.) @ 3'-0" OR 1/2" HILTI HIT-HY 200 ADHESIVE ANCHORS (4" MIN. EMBEDMENT) W/ HAS (GALV.) STEEL ROD W/ 3"x3"x1/4" PLATE WASHERS (GALV.) @ 3'-0".
 - ALL INTERIOR SHEARWALL SHALL BE ATTACHED BY POWDER ACTUATED FASTENERS. SEE SCHEDULE FOR SPACING.
 - ALL HOLDDOWNS TO BE BY SIMPSON STRONG TIE OR EQUAL.

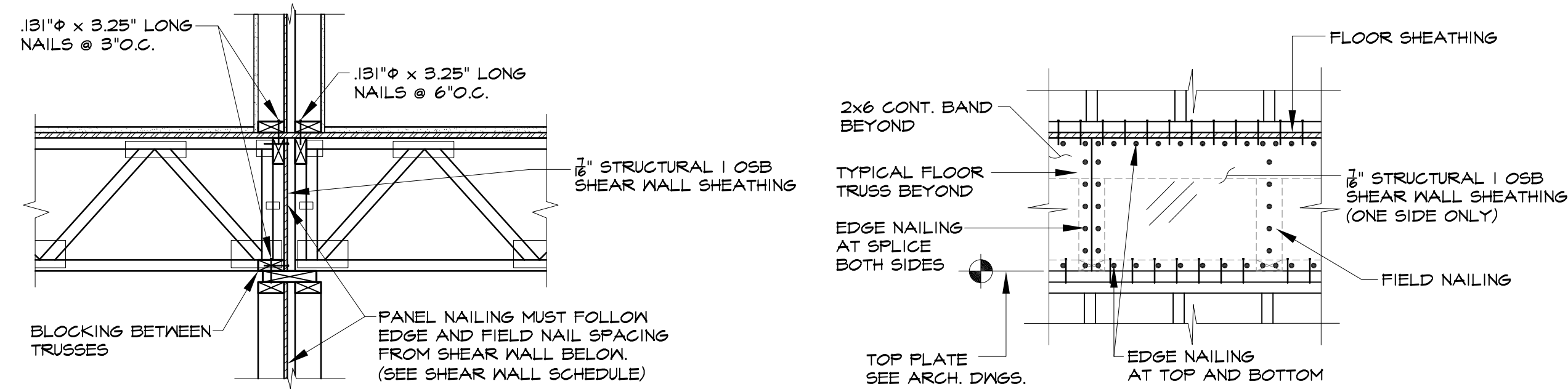
SHEAR WALL SCHEDULE		
SWI-7/16" PLYWOOD (OSB) ONE SIDE		
LEVEL	SHEAR WALL ANCHORAGE TYPE M	
	MALL CHORDS	
	LEFT CHORD	RIGHT CHORD
HIGH ROOF	X	
ROOF	X	
4TH FLOOR	X	
3RD FLOOR	2-2x...	2-2x...
2ND FLOOR	2-C510	2-C510
1ST FLOOR	3-2x...	3-2x...
	HDQ8-SDS3 1/8" ROD	HDQ8-SDS3 1/8" ROD
	X	



**TYPICAL PLYWOOD SHEAR BLOCK PANEL DETAIL
OPTION #1**



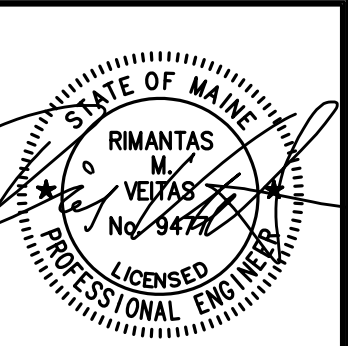
**TYPICAL PLYWOOD SHEAR BLOCK PANEL DETAIL
OPTION #2**



NOTE: PANEL NAILING PATTERN MUST FOLLOW EDGE AND FIELD NAIL SPACING FROM SHEAR WALL BELOW. SEE SHEAR WALL SCHEDULE.

**TYPICAL PLYWOOD SHEAR BLOCK PANEL DETAIL
OPTION #3**

HOLDDOWN RODS & EMBEDMENT SCHEDULE		
HOLDDOWNS	ROD SIZE	MINIMUM EMBEDMENT REQ'D IN SET/SIMPSON WHEN 6" EXTERIOR WOOD STUD WALL (W/ CONCRETE EDGE DISTANCE = 2 3/4")
HDU2-SDS2.5	5/8" THREADED ROD	3 3/4"
HDU4-SDS2.5	5/8" THREADED ROD	5"
HDU5-SDS2.5	5/8" THREADED ROD	5"
HDU8-SDS2.5	7/8" THREADED ROD	7 3/4"
HDDU11-SDS2.5	1" THREADED ROD	10 1/4"
HDQ8-SDS3	7/8" THREADED ROD	9"
HDDQ11-SDS2.5	1" THREADED ROD	12"
HDDQ14-SDS2.5	1" THREADED ROD	15"



BATEMAN PARTNERS, L.L.C.
470 FORE STREET
PORTLAND, ME 04101

VEITAS VEITAS
engineers
p.c.

ARCHITECTURE
architects

185 FORE STREET
Portland, Maine

Revisions:
1 | 05-22-2015 | BID SET

Date:
16 JUNE, 2014

Scale:

S3.02