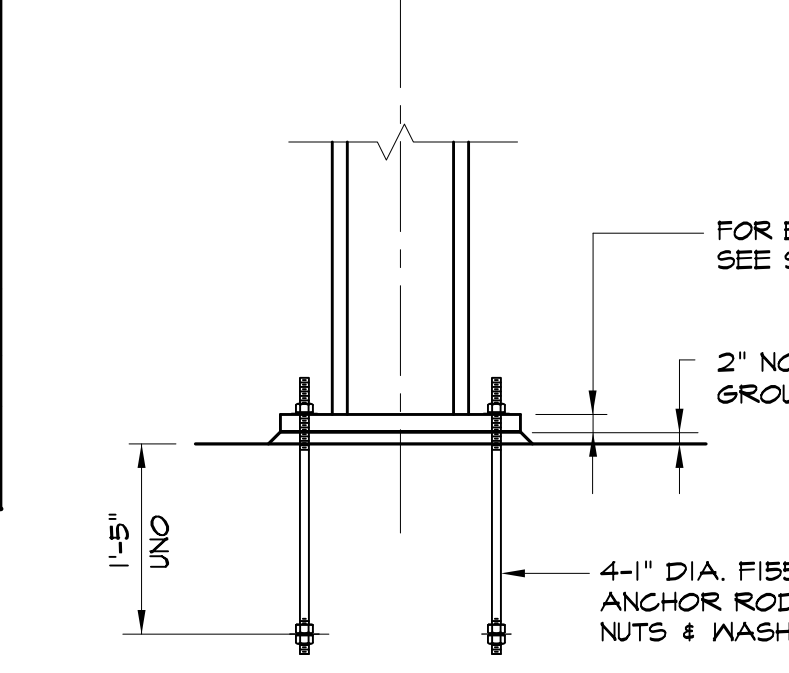
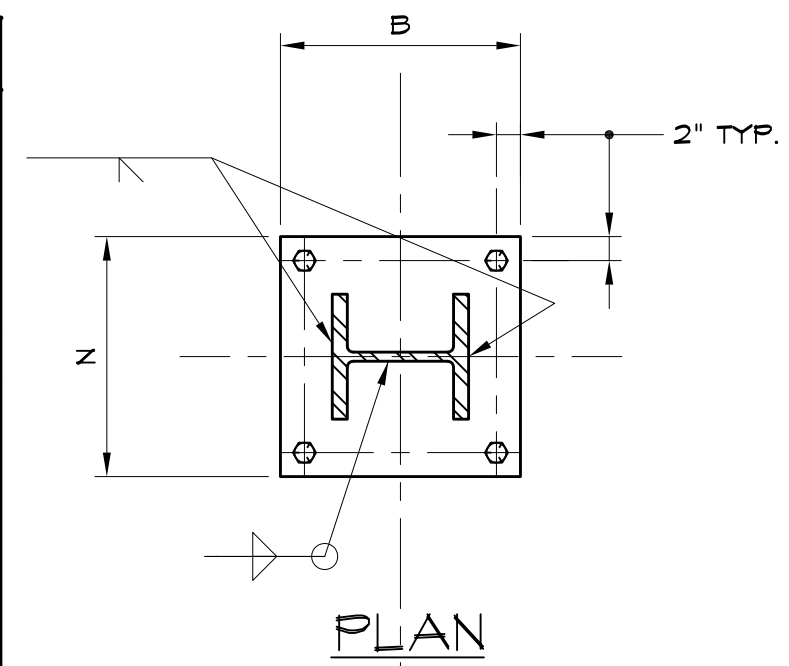


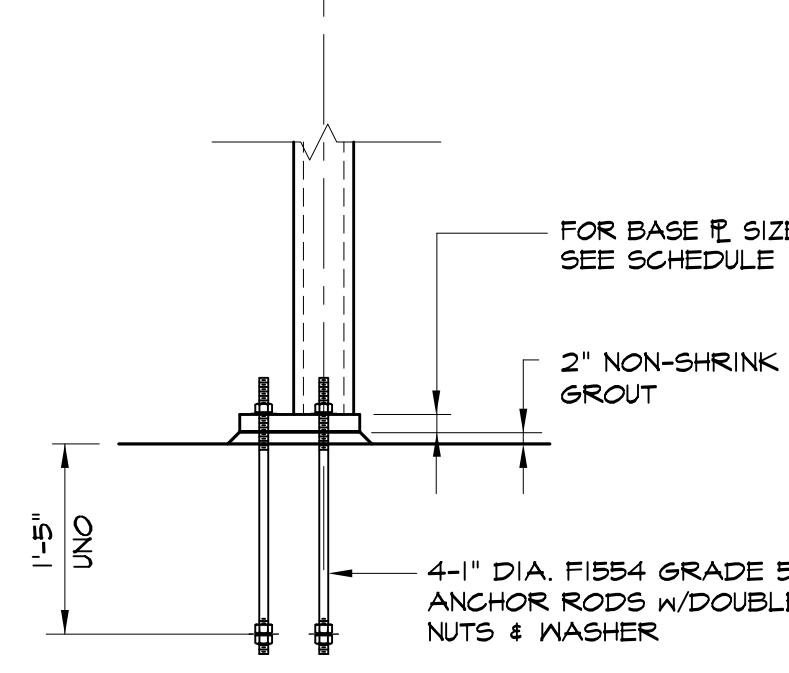
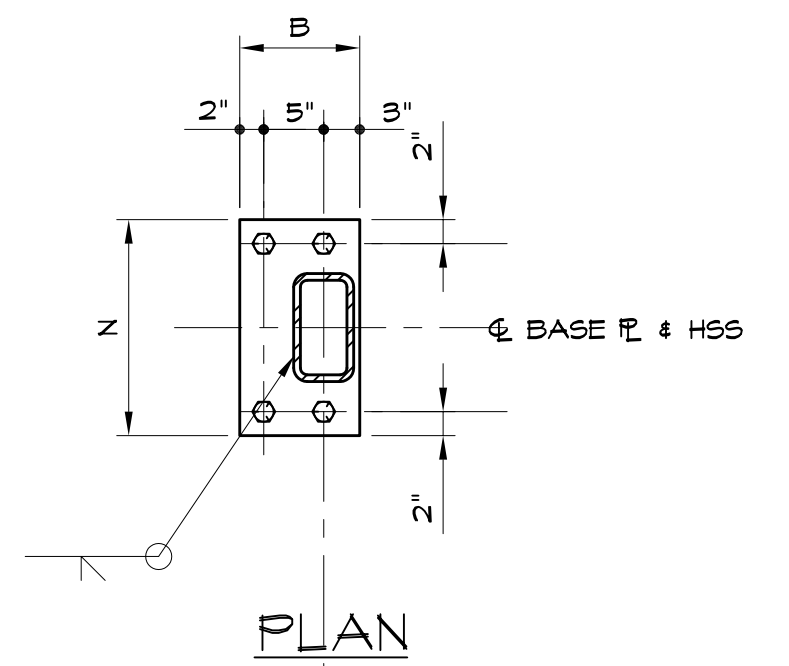
COLUMN SCHEDULE											
COL. NO.	C1	C2	C3	C4	C5	C6	C7	C8	C9	C10	C11
LEVEL											
2ND FLOOR											
GROUND FL.											
BASE PL TYPE	A	B	C	D	E	F	G	G	G	H	F
BASE PL SIZE "N" x "B" x "B"	20"x12"x11'-8"	18"x2'x0'-10"	18"x2'x11'-6"	18"x2'x11"	18"x2'x0'-11"	12'x3/4'x0'-4"	12'x1'x1'-0"	12'x1'x1'-0"	12'x1'x1'-0"	12'x3/4'x0'-10"	12'x3/4'x0'-4"

- COLUMN SCHEDULE NOTES:
- ALL TS COLUMNS SHALL BE ASTM A500 GRADE B.
  - ALL WF COLUMNS SHALL BE ASTM A572 GRADE 50.

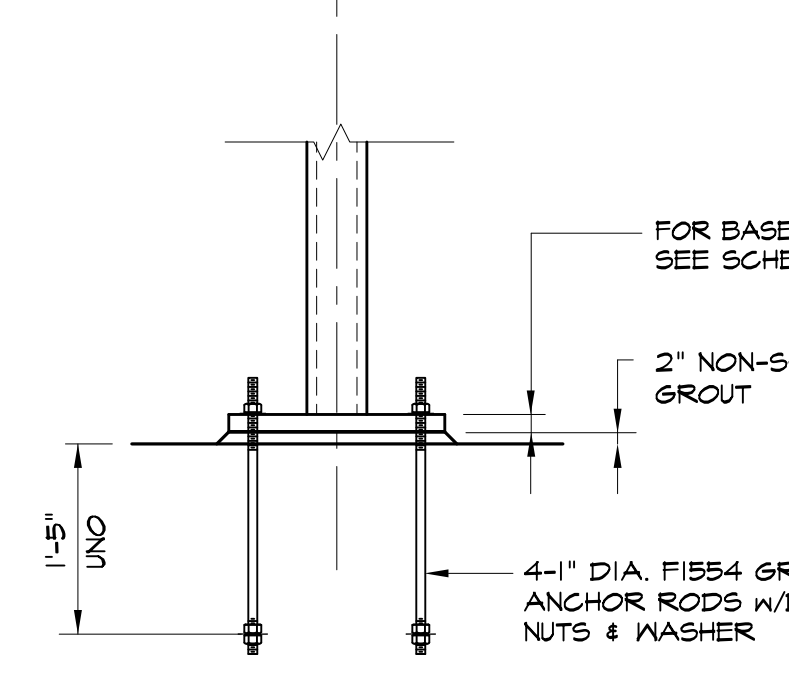
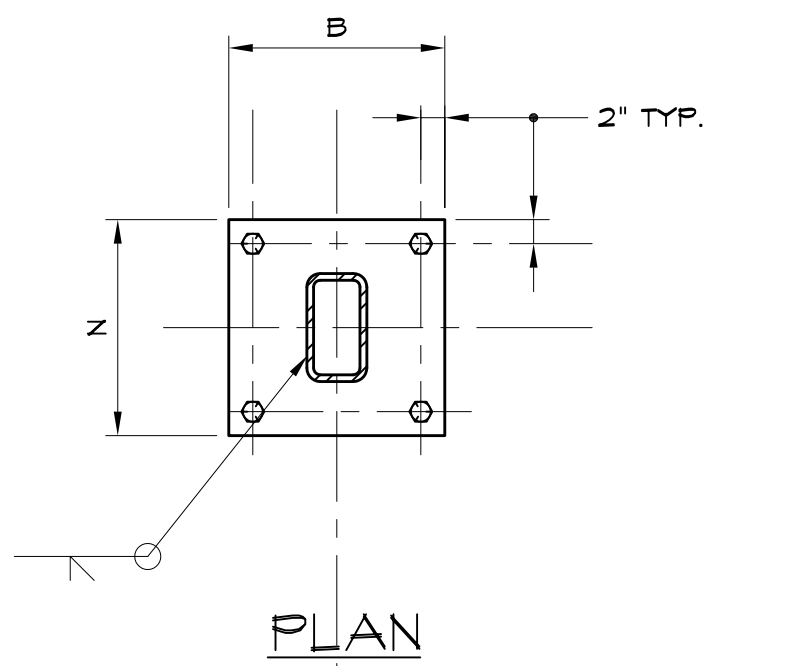
PIER SCHEDULE				
MARK	TYPE	SIZE "A"x"B"	REINFORCING	TIES
P1	A	20"x20"	Ø-#6	#3@12"
P2	B	20"x20"	Ø-#6	#3@12"
P3	C	28"x28"	Ø-#6	#3@12"
P4	B	26"x26"	Ø-#6	#3@12"
P5	D	26"x18"	Ø-#6	#3@12"
P6	E	26"x18"	Ø-#6	#3@12"
P7	F	26"x18"	Ø-#6	#3@12"



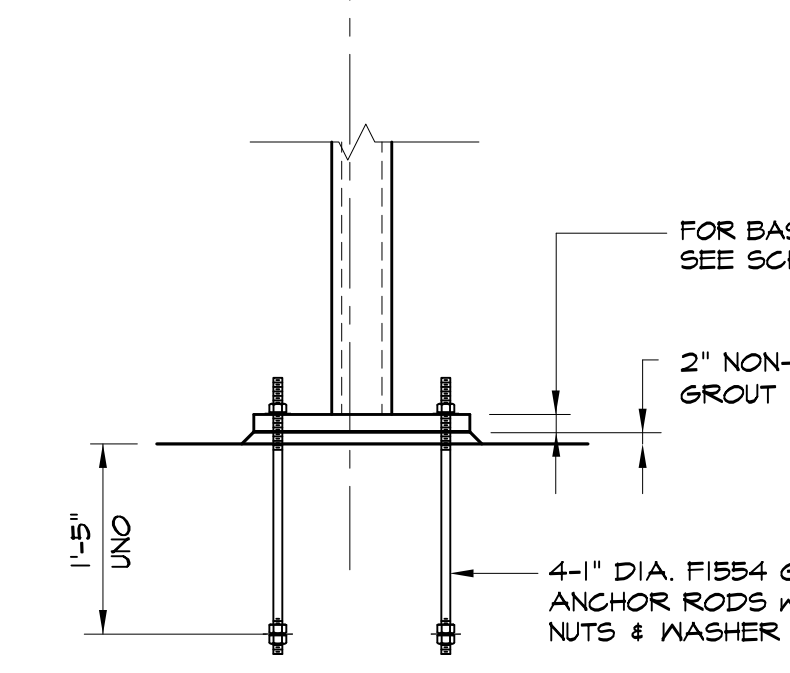
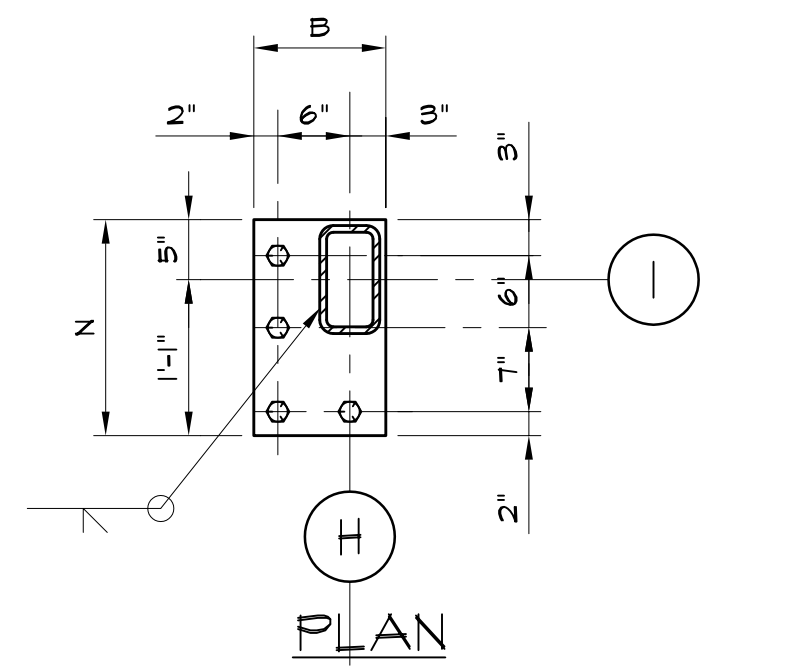
SECTION  
BASE PL TYPE A



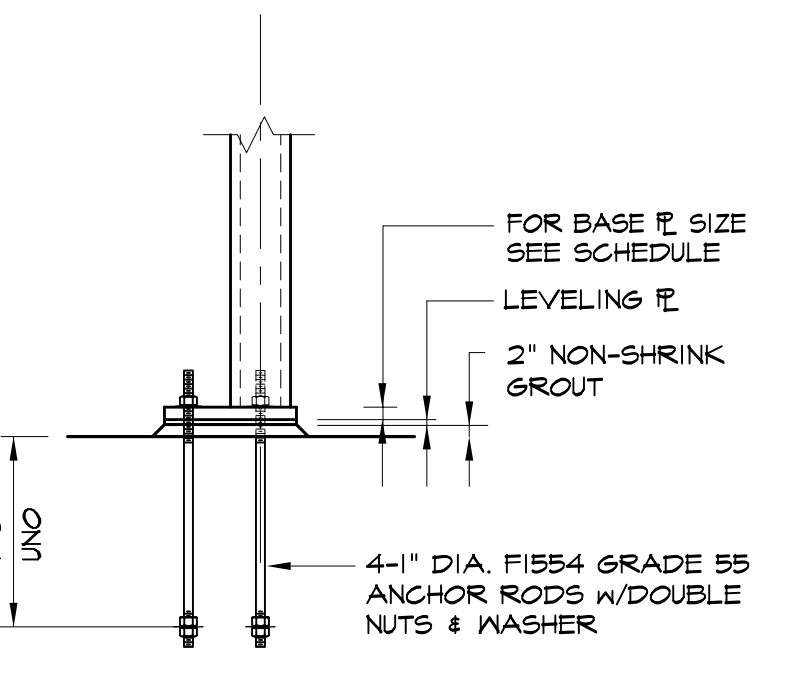
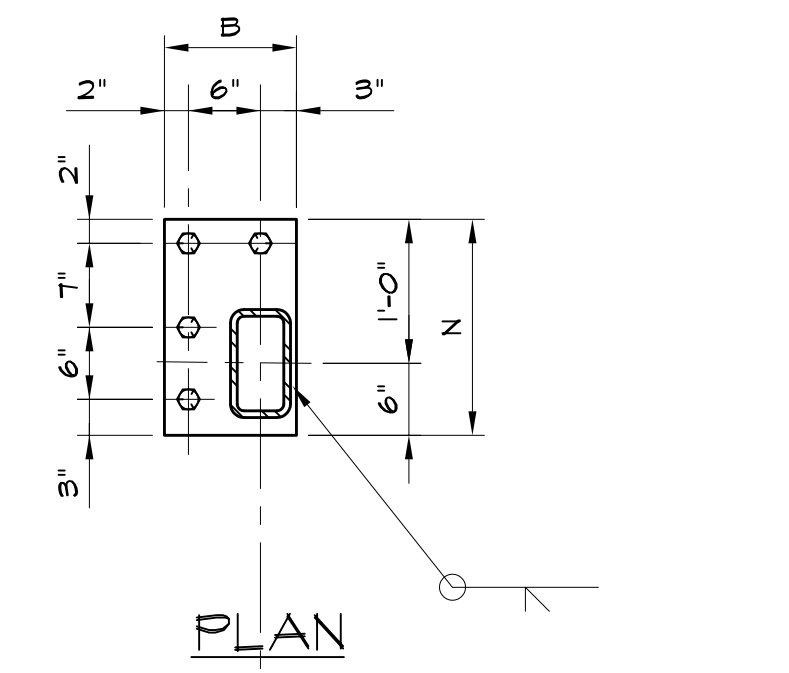
SECTION  
BASE PL TYPE B



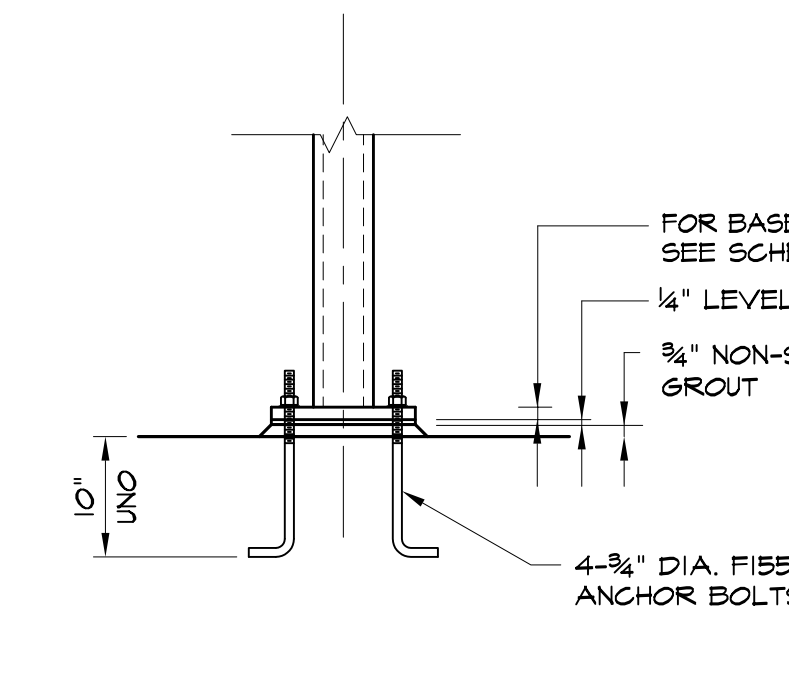
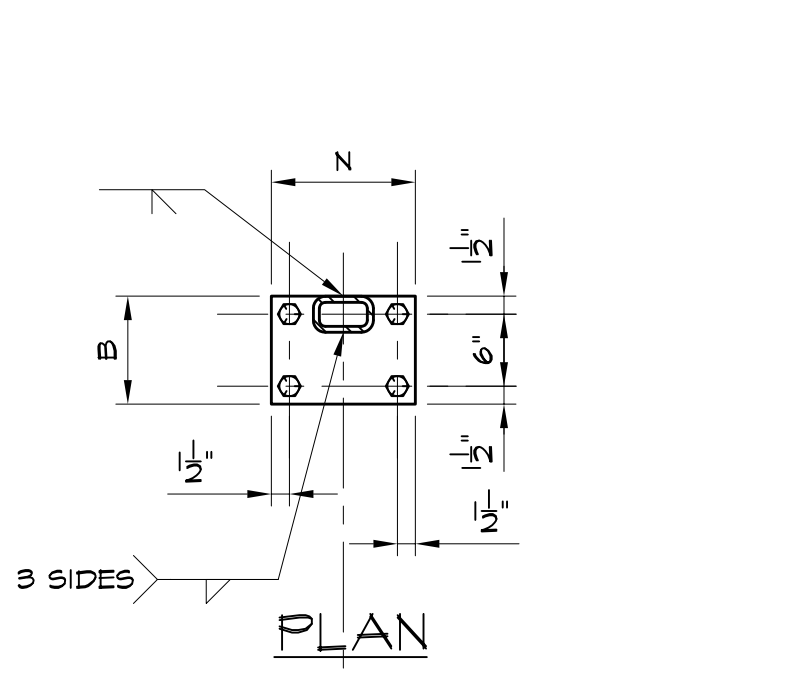
SECTION  
BASE PL TYPE C



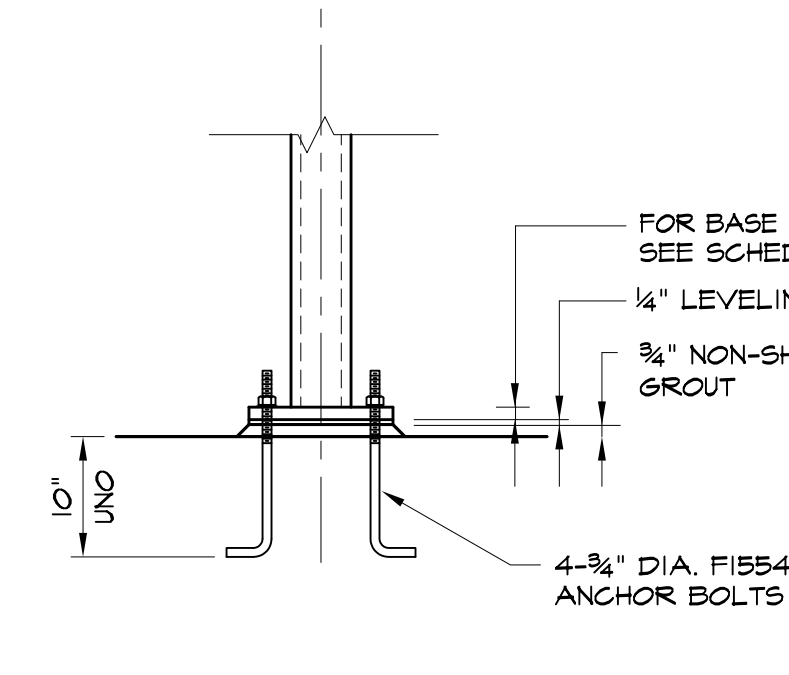
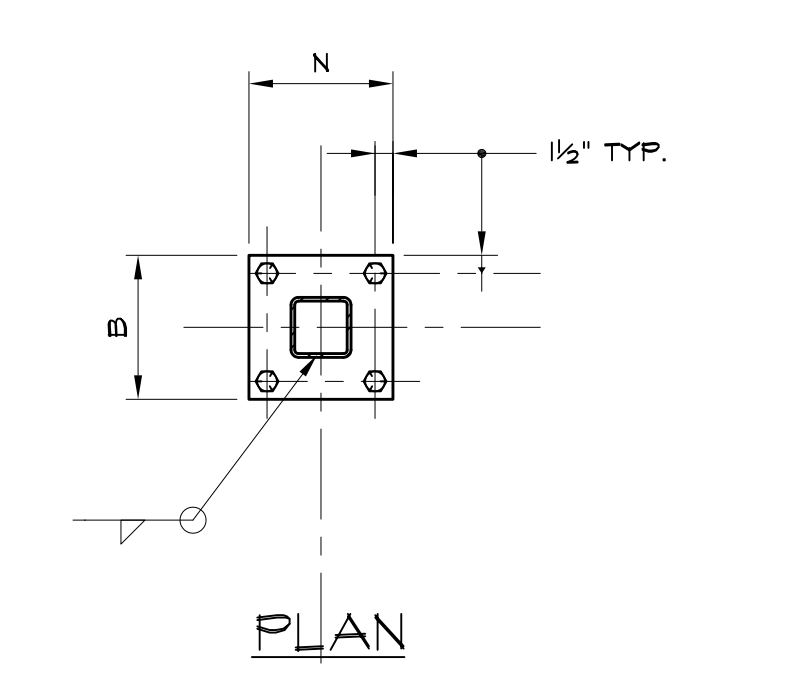
SECTION  
BASE PL TYPE D



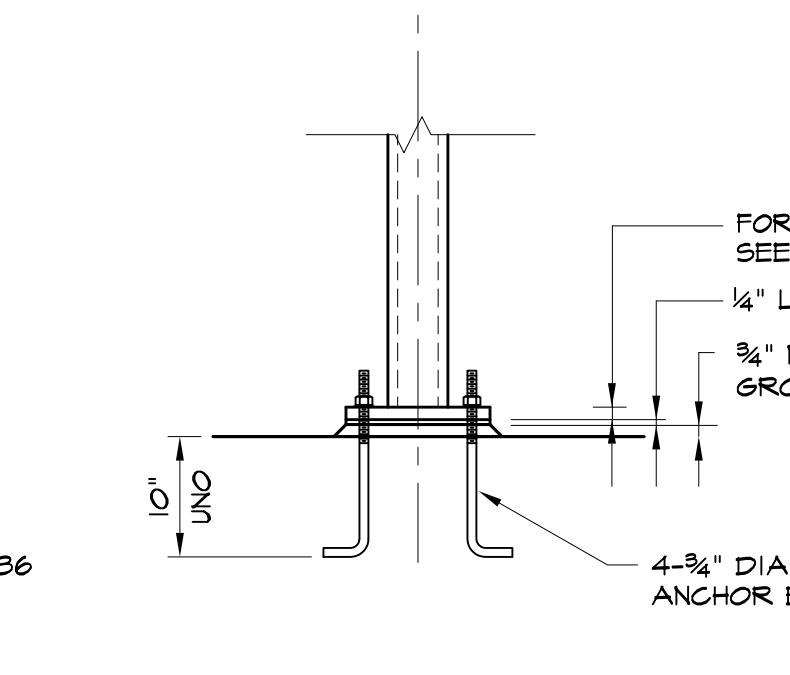
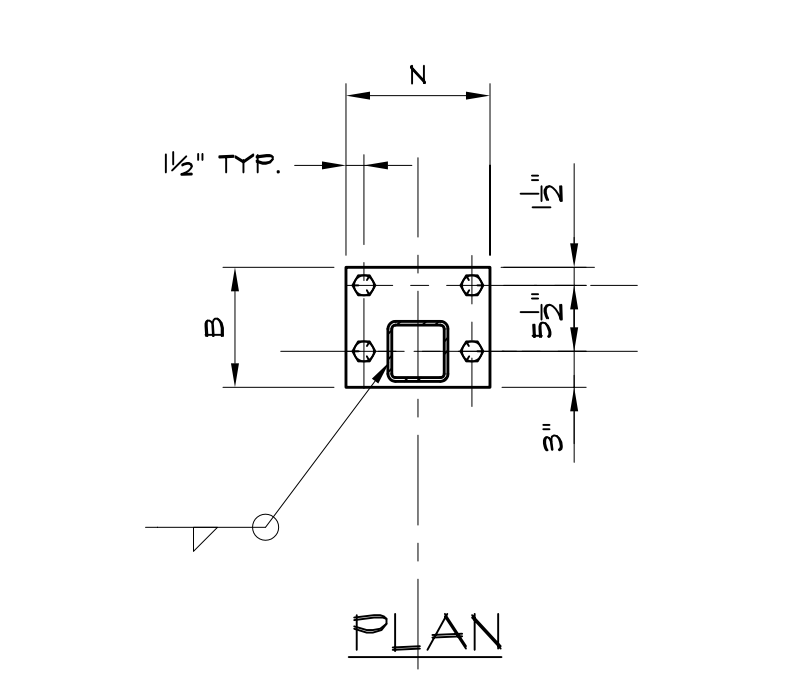
SECTION  
BASE PL TYPE E



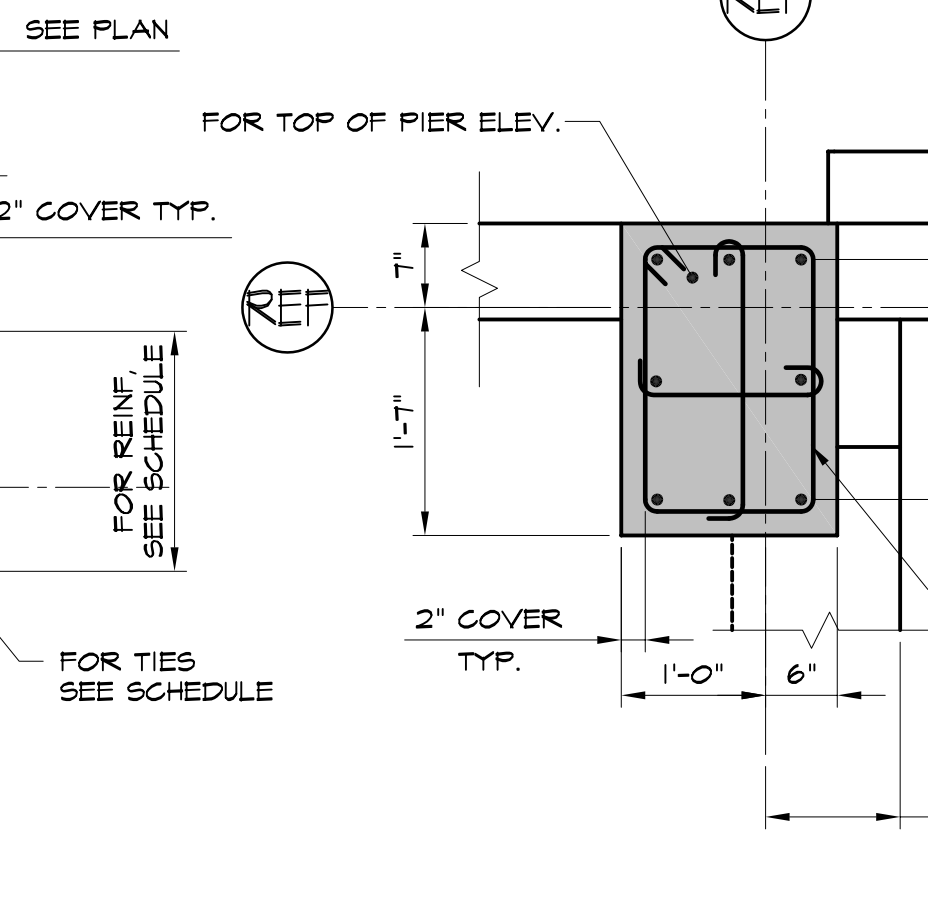
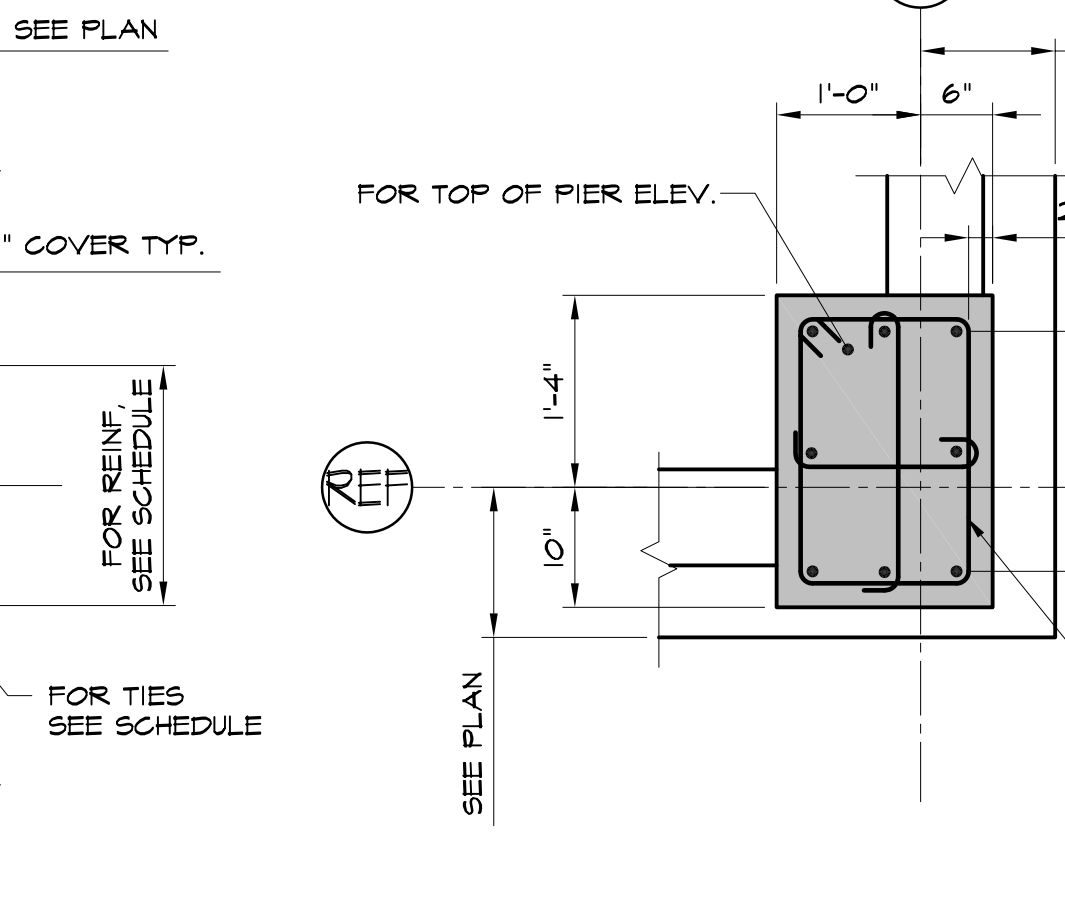
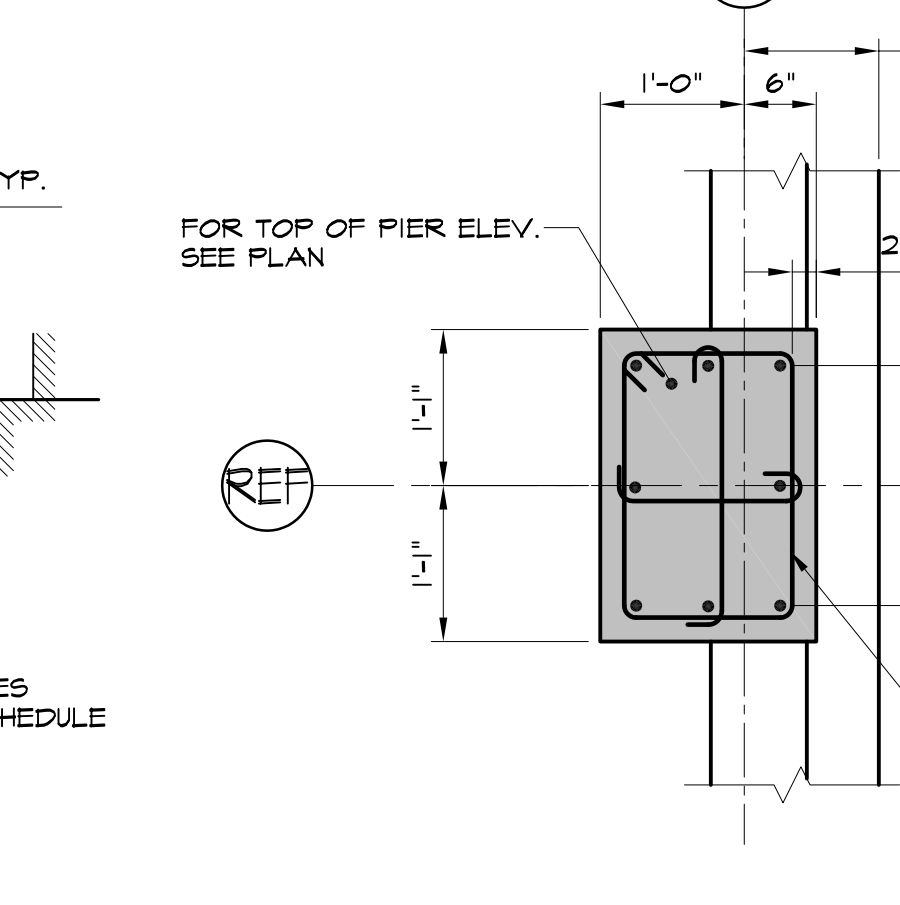
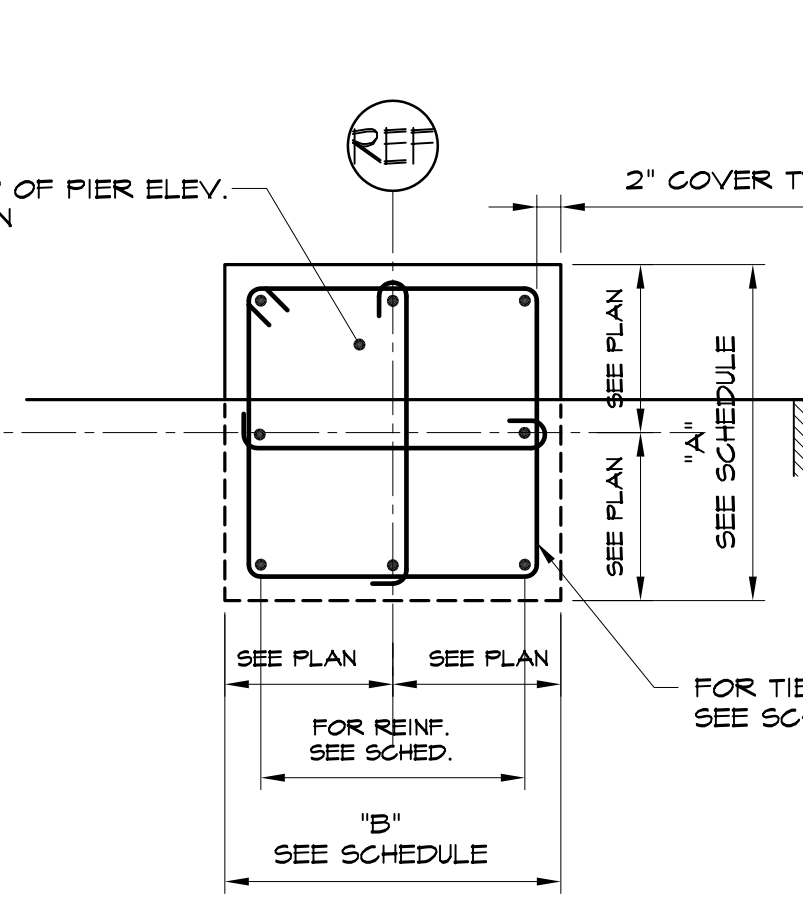
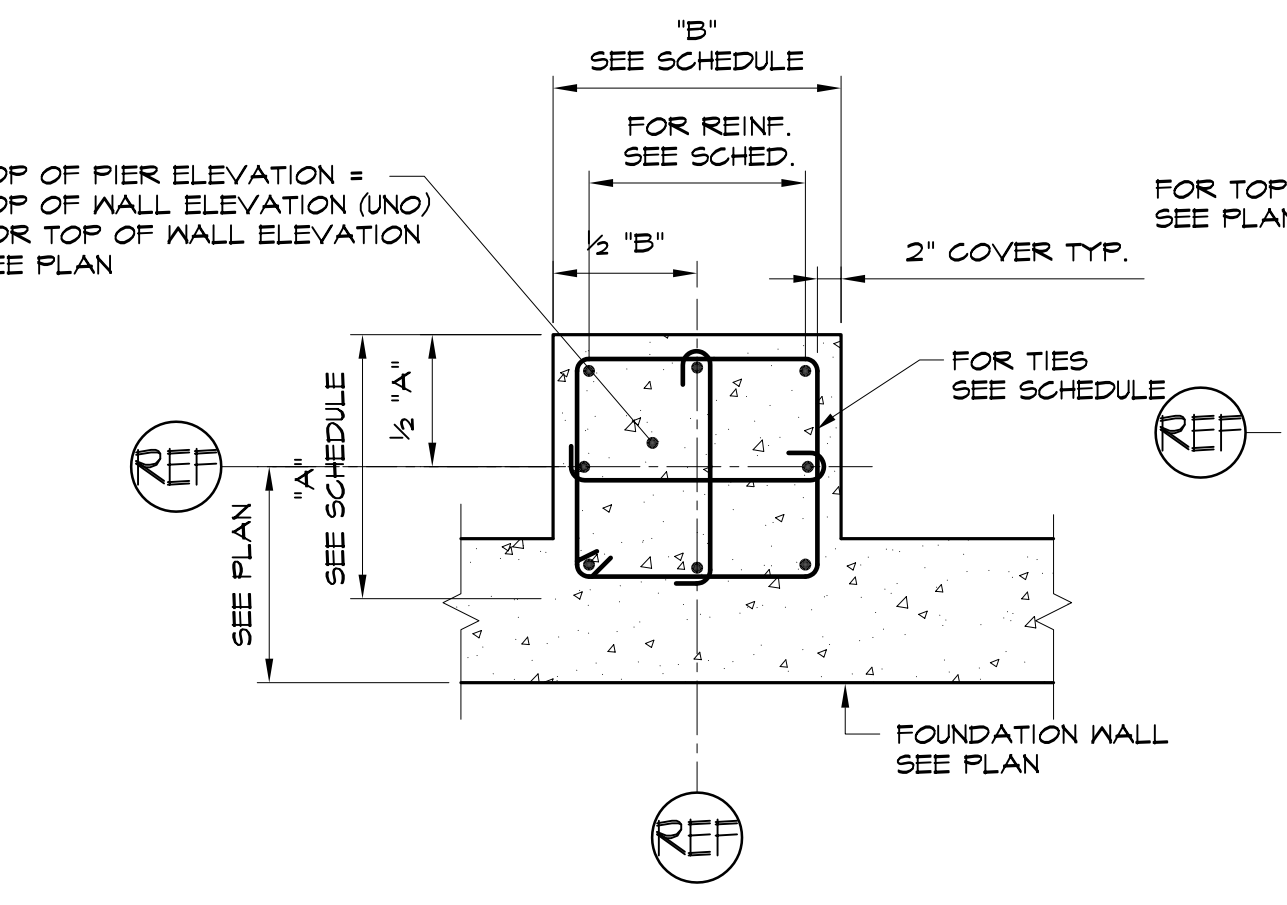
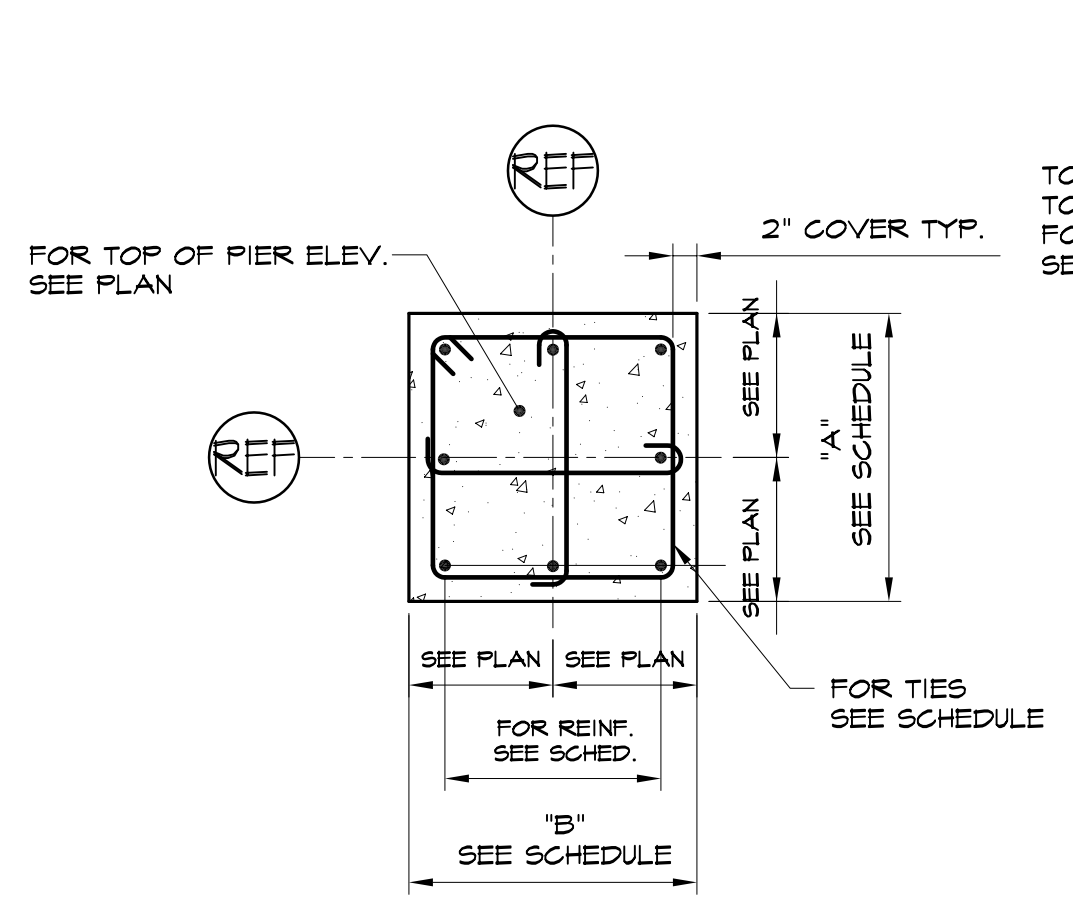
SECTION  
BASE PL TYPE F



SECTION  
BASE PL TYPE G



SECTION  
BASE PL TYPE H



PIER DETAIL TYPE A

PIER DETAIL TYPE B

PIER DETAIL TYPE C

PIER DETAIL TYPE D

PIER DETAIL TYPE E

PIER DETAIL TYPE F

Prepared For:  
**BATEMAN PARTNERS, LLC.**  
470 FORE STREET  
PORTLAND, ME 04101

Consultant:  
**VEITAS VEITAS** engineers  
681 Granite Street, Suite 10184  
Portland, ME 04106  
TEL: (207) 772-4056 FAX: (207) 772-4056

Architect:  
**ARCHITECTYPE architects**  
48 Union Wharf Portland, Maine 04101  
(207) 772-6022 Fax (207) 772-4056

Project:  
185 FORE STREET  
185 Fore Street, Portland Maine

Revisions:  
1 | 05-22-2015 | BID SET

Date:  
16 JUNE, 2014

Scale:  
Column and Pier Schedules and Details

**S3.01**