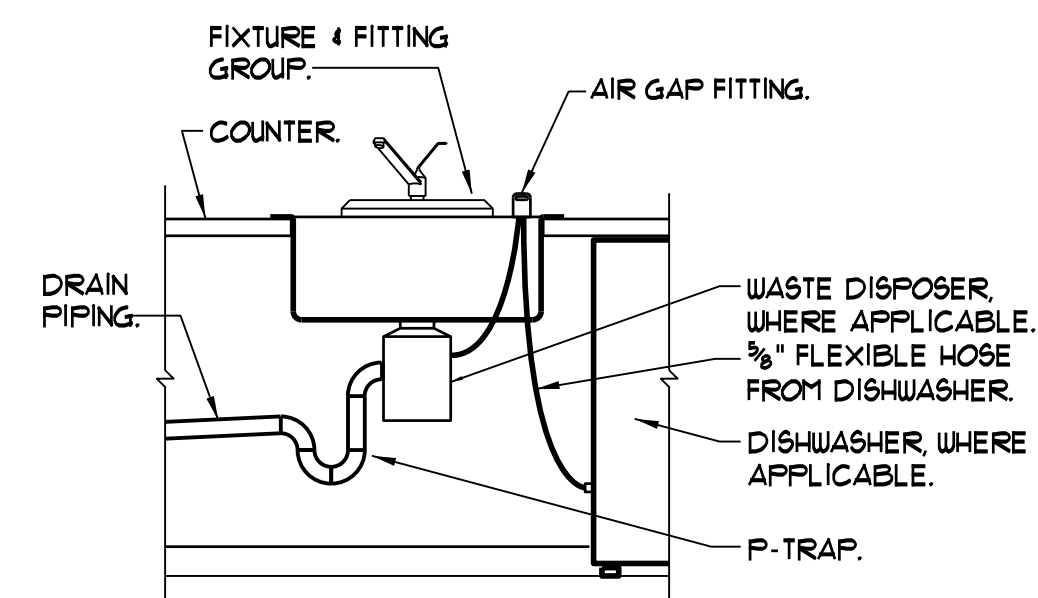
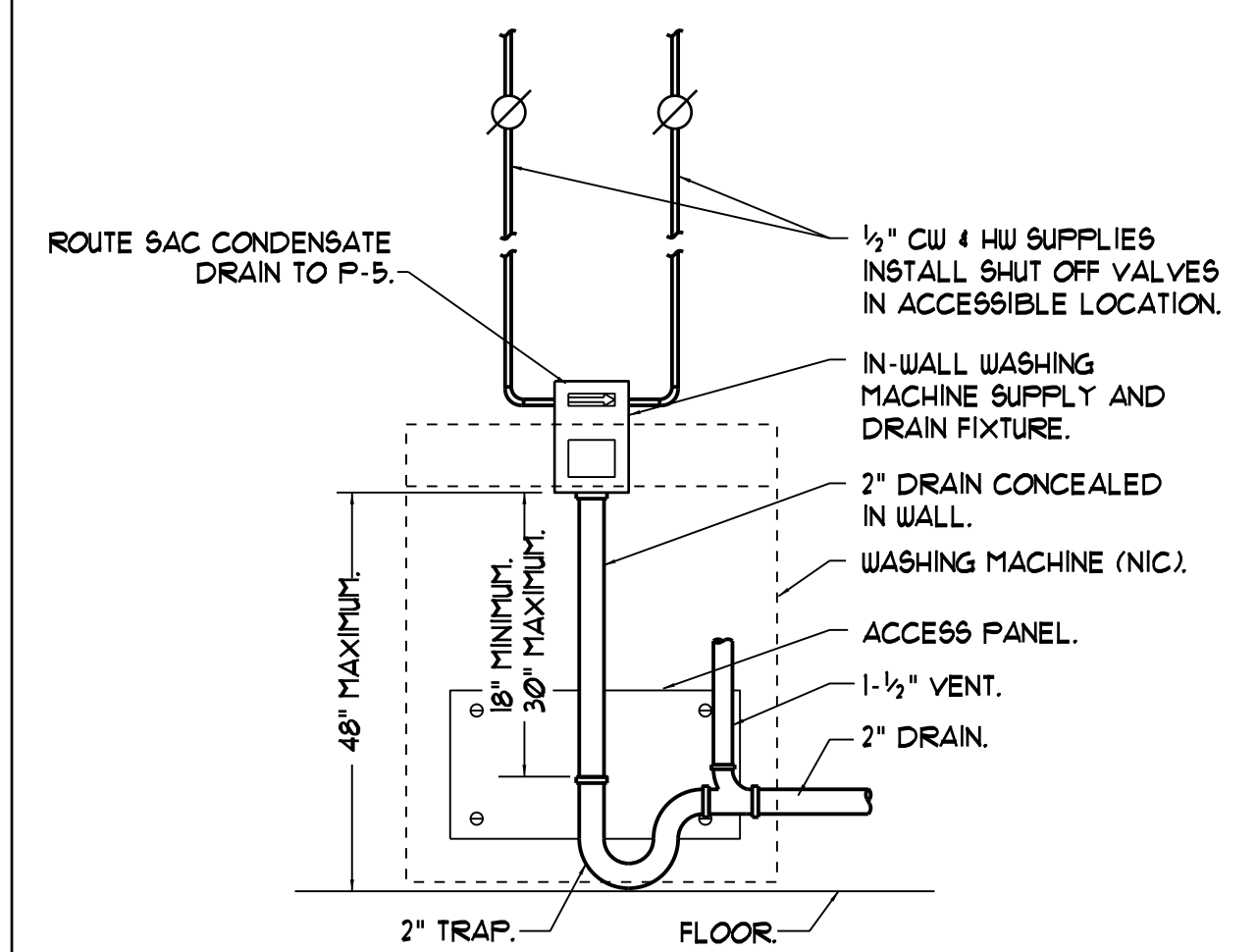


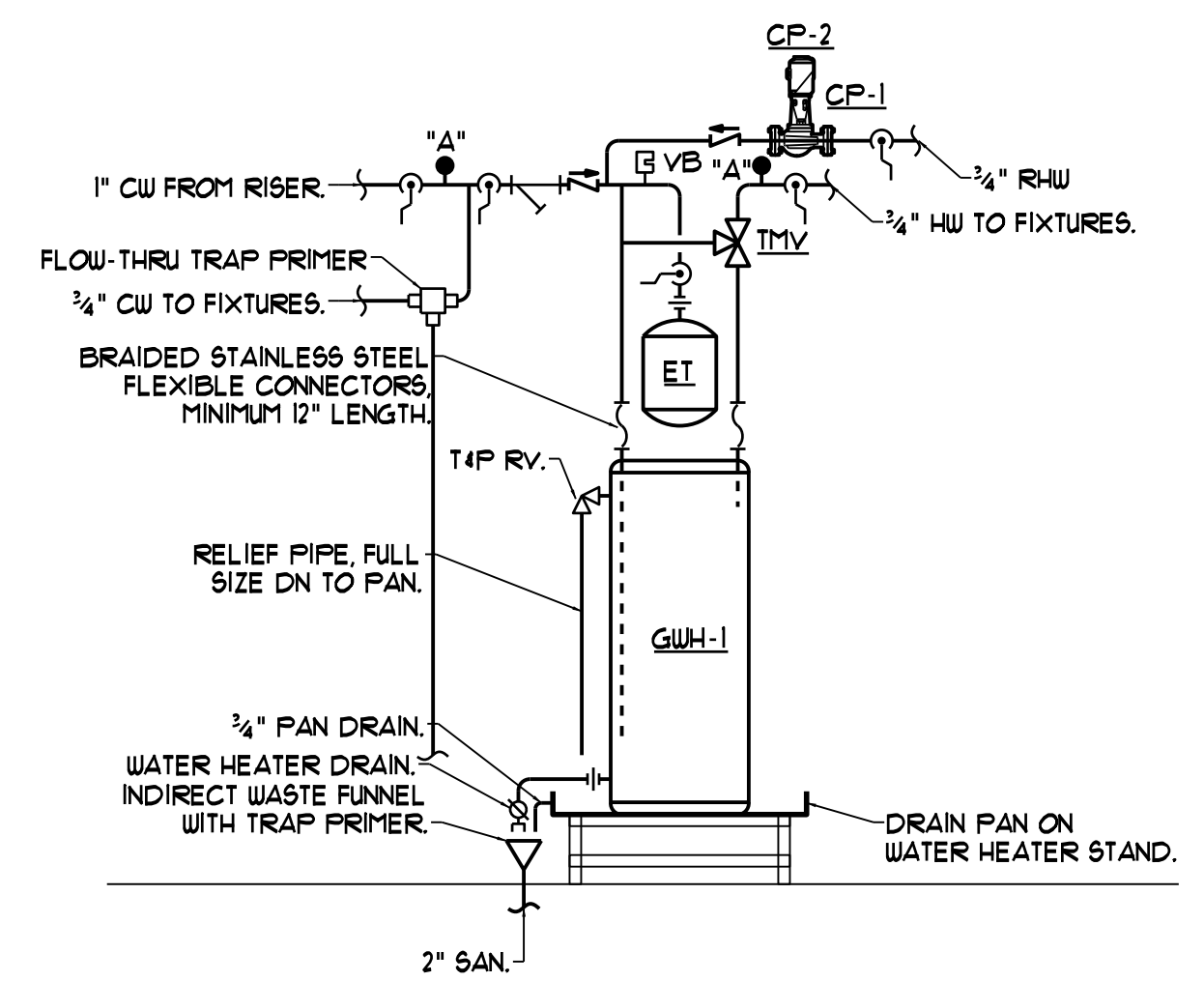
WATER ENTRANCE DETAIL
NTS



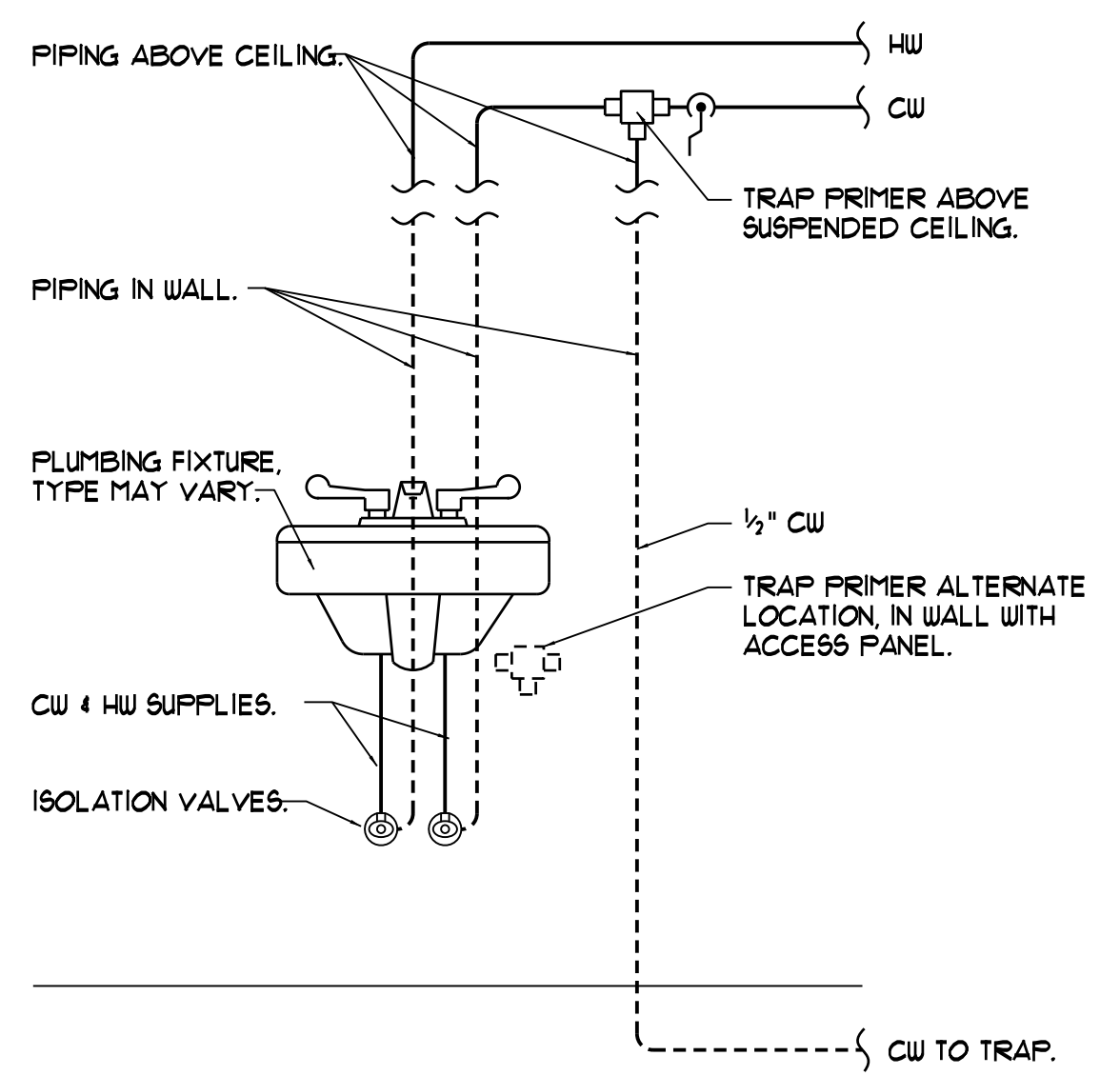
DISHWASHER DRAIN / DISPOSAL DETAIL
NTS



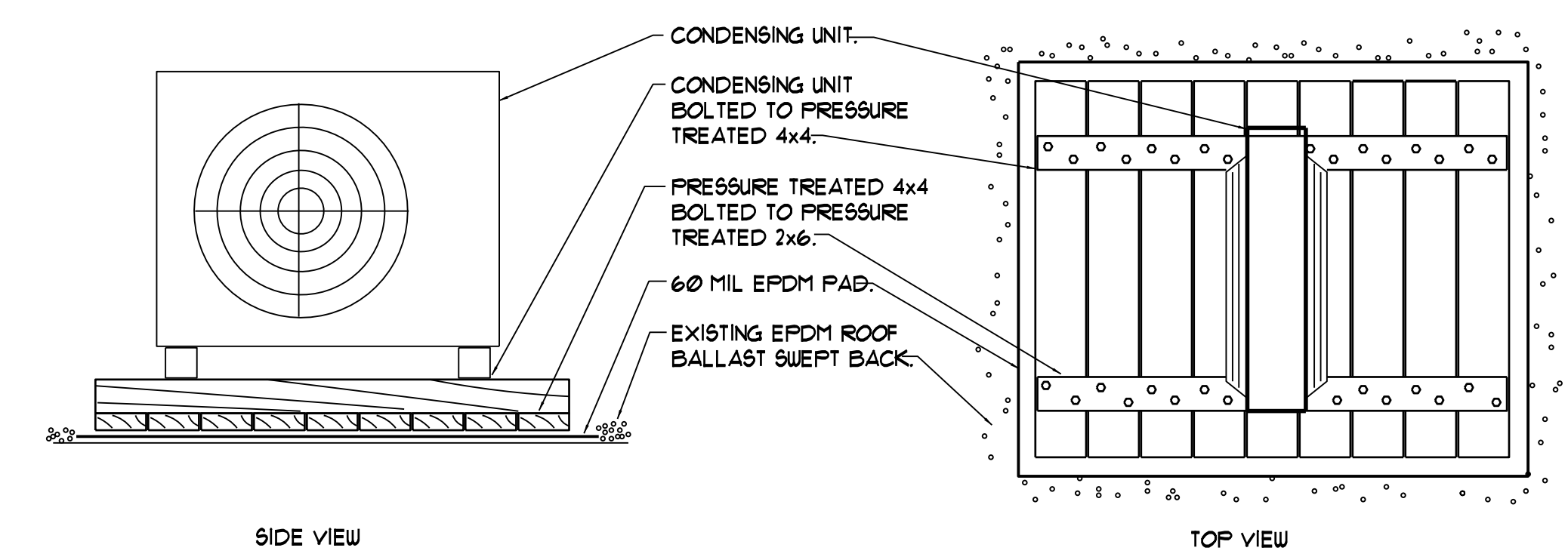
WASHING MACHINE HOOK-UP DETAIL
NTS



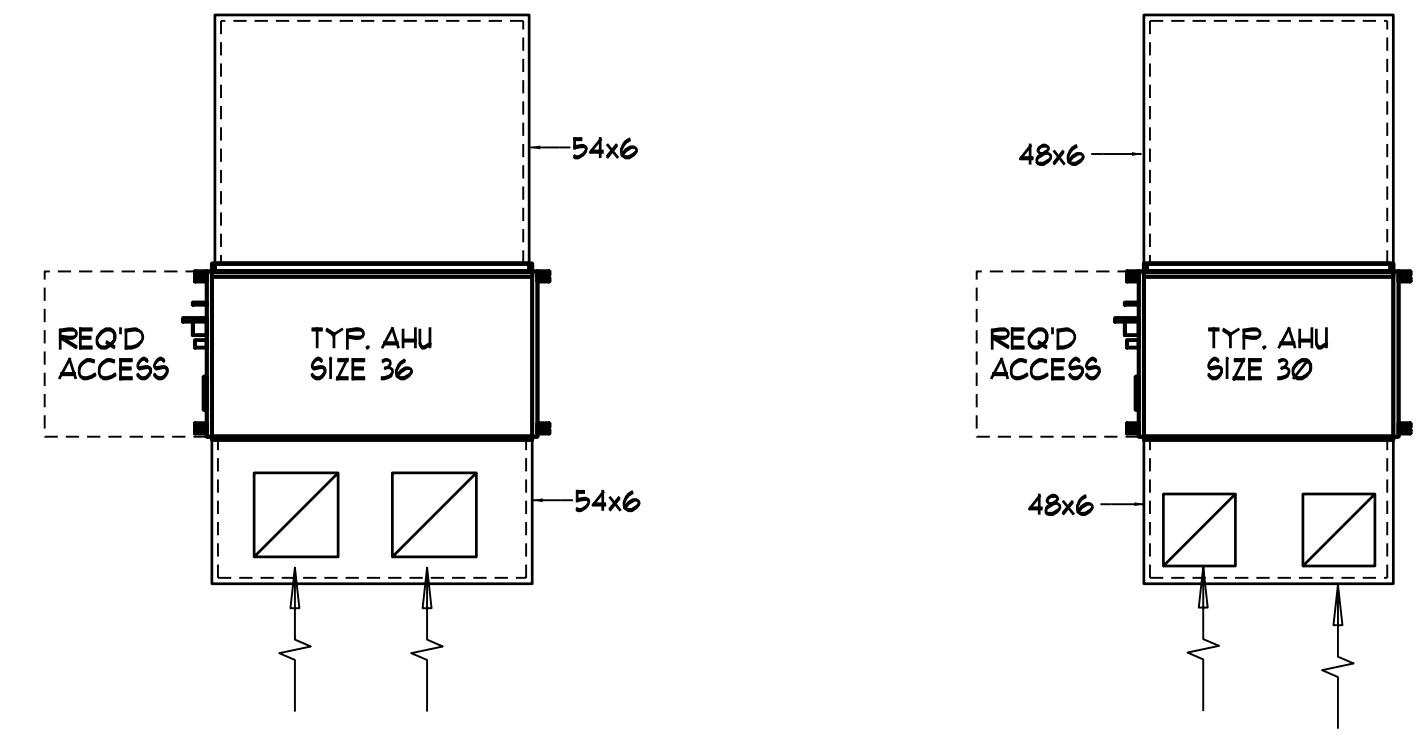
WATER HEATER PIPING SYSTEM SCHEMATIC
NTS
TYPICAL OF ONE PER CONDO.
CONDENSATE DRAINS FROM UNIT AHU6 SHALL BE PIPED TO THIS I.W. FUNNEL.



TRAP PRIMER CONNECTION DETAIL
NTS
NOTE - ALL FLOOR DRAINS SHALL HAVE TRAP PRIMERS, CONNECT TO NEAREST FIXTURE.

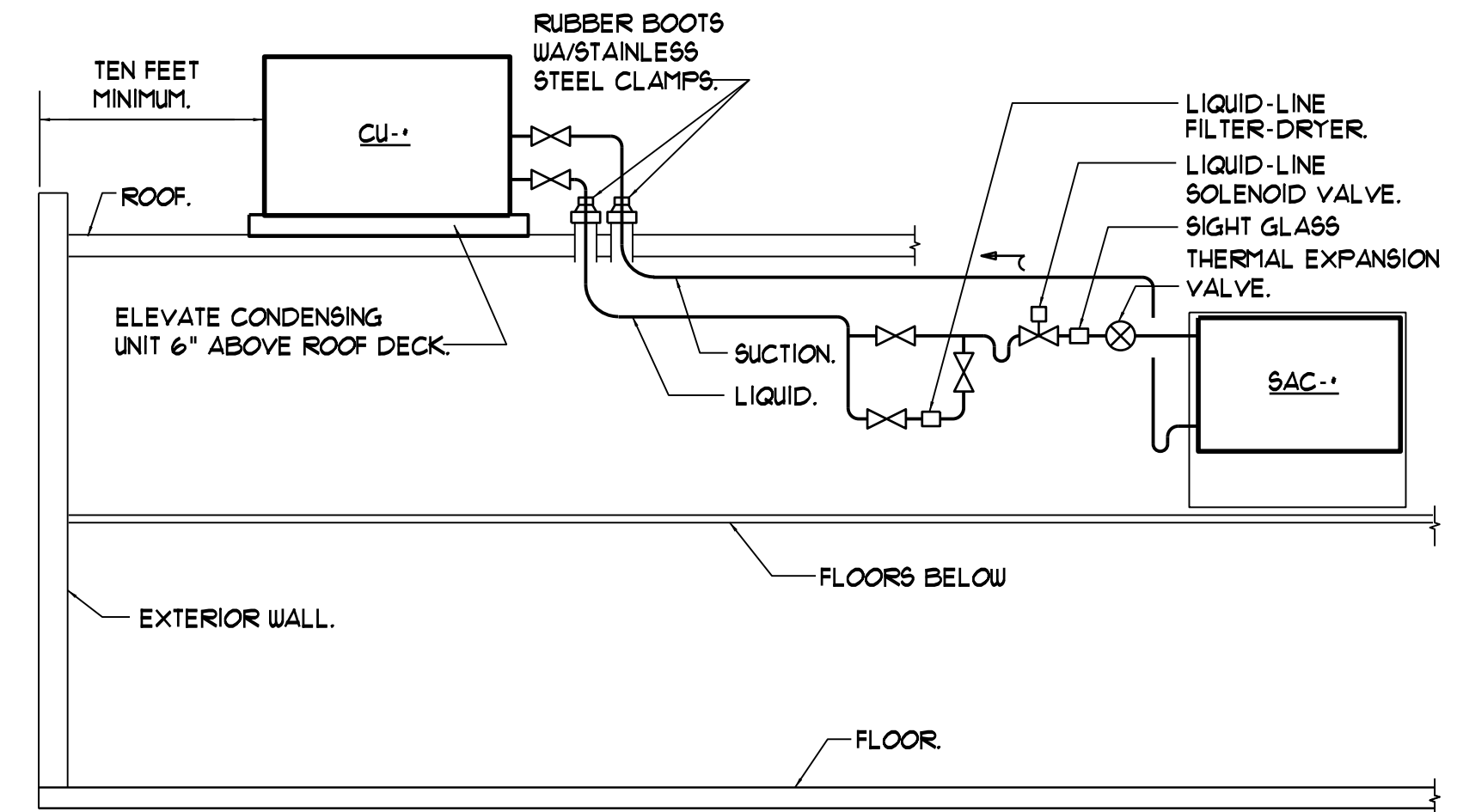


ROOF MOUNTED CONDENSING UNIT FOUNDATION DETAILS
NTS



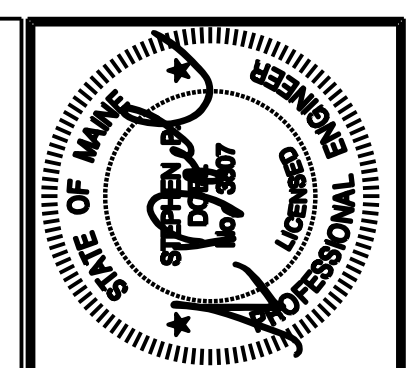
TYPICAL HORIZONTAL HEAT PUMP DUCT DIAGRAMS
NTS

NOTES - UNITS SHALL BE CONFIGURED SIMILAR TO AS SHOWN, SEE MECHANICAL PLANS.
- UNITS SHALL BE MOUNTED AS TIGHT TO FLOOR ABOVE AS POSSIBLE WHILE STILL MAINTAINING PROPER CLEARANCES PER MANUFACTURER.



REFRIGERANT PIPING DETAIL
NTS

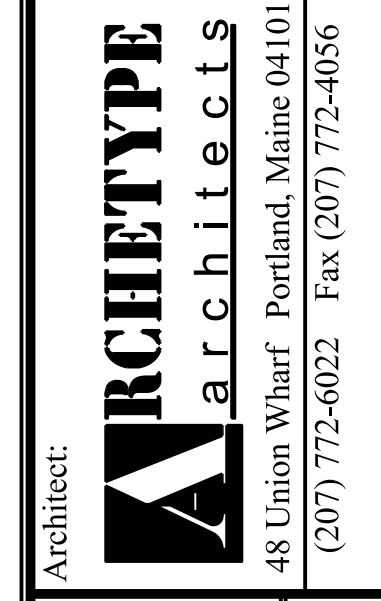
NOTE USE FLEX CONNECTORS AT AIR HANDLER AND CONDENSING UNIT IF THESE UNITS ARE EXTERNALLY VIBRATION ISOLATED.



Prepared For:



Consultant:



Architect:

185 FORE STREET
Portland, Maine

Project:

06-11-15 ADDENDUM #1

Revisions:

Scale: As indicated

Date: 22 May, 2015

MECHANICAL DETAILS

M3.03