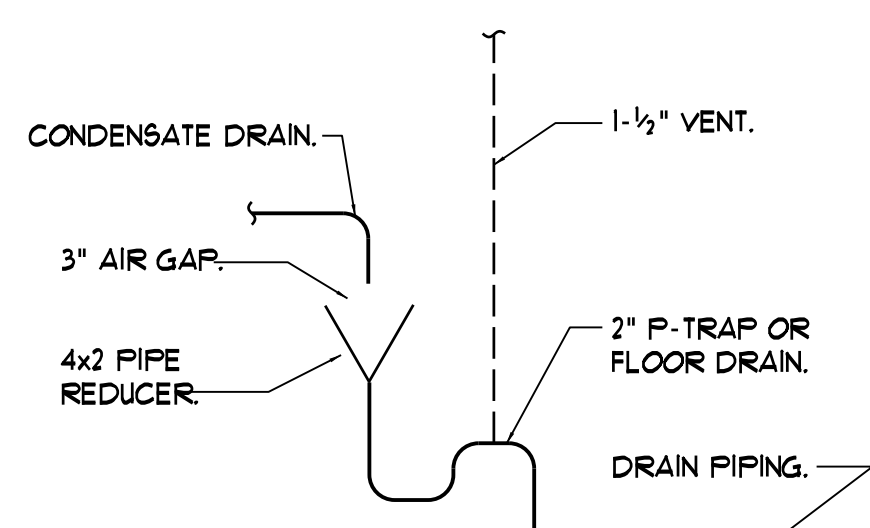


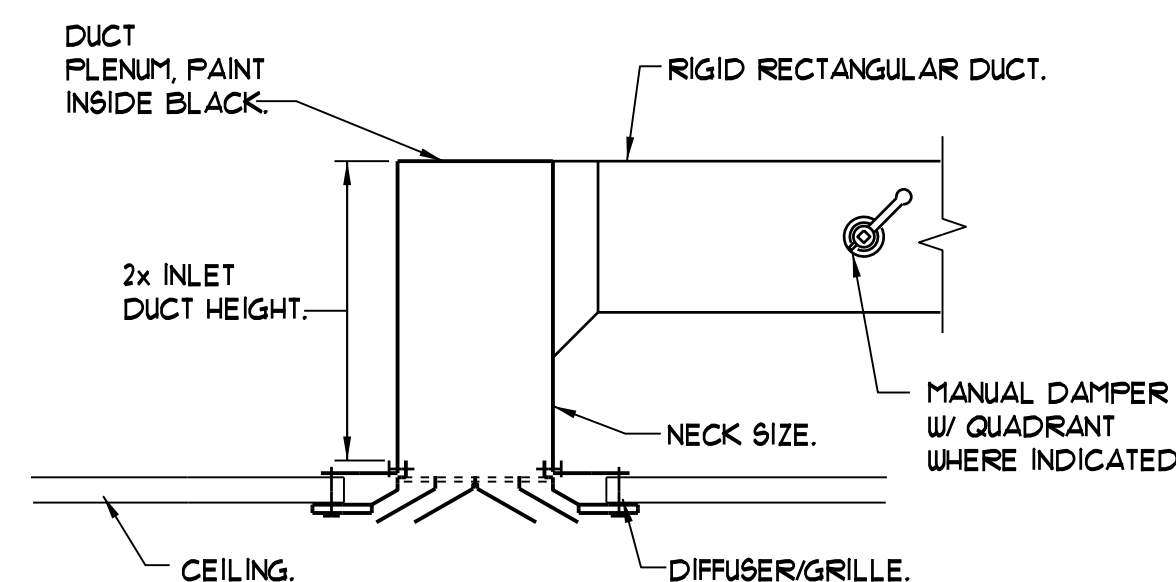
CONDENSATE TRAP DETAIL

NTS
NOTE - CAP UNUSED DRAIN PAN CONNECTIONS.



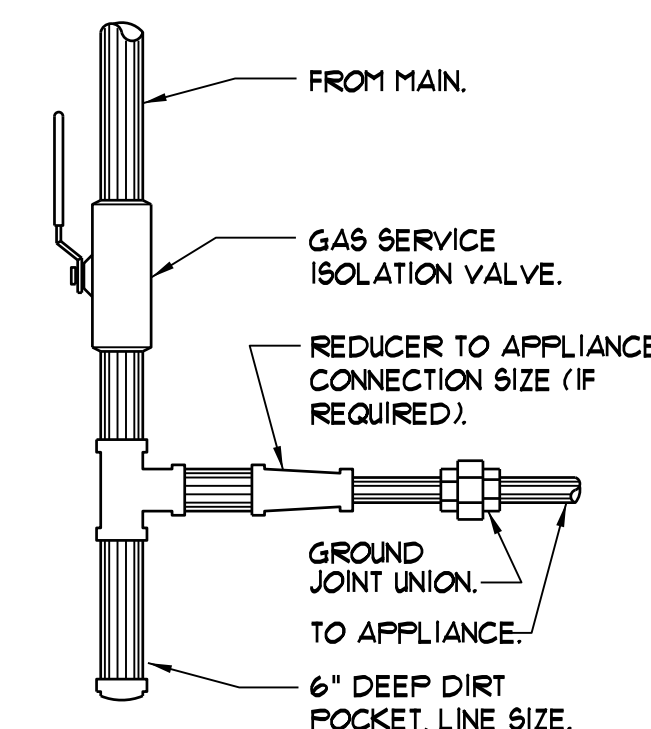
INDIRECT WASTE DETAIL

NTS



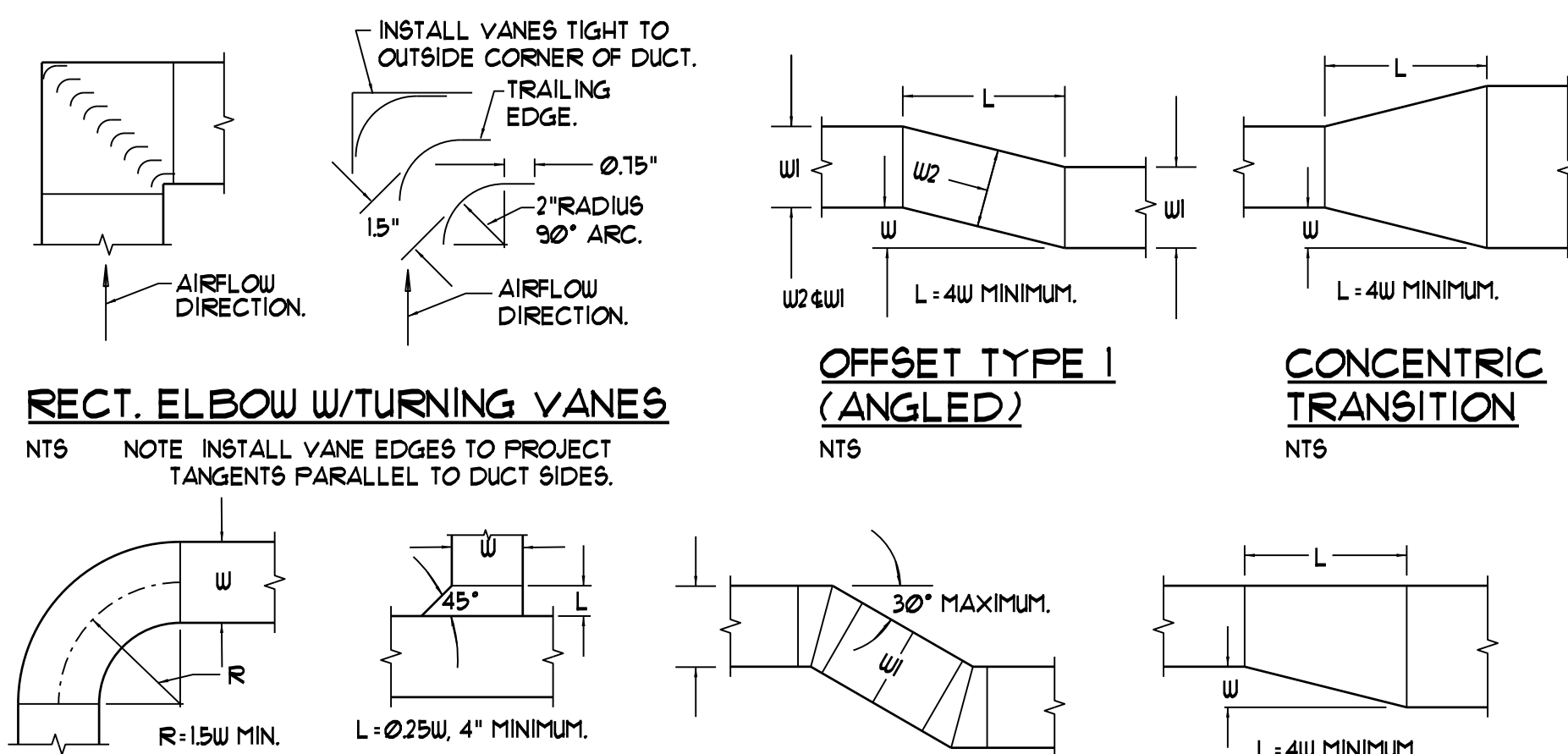
DIFFUSER CONNECTION DETAIL

NTS



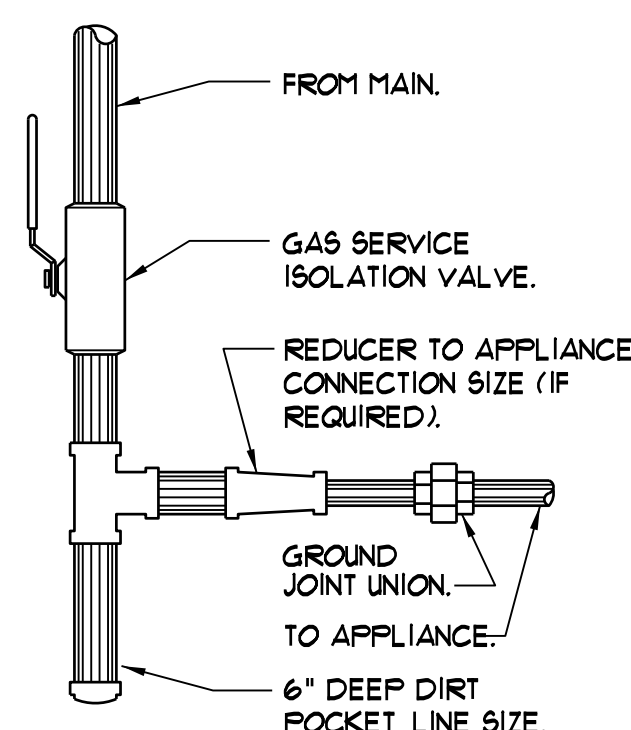
DOWNFEED GAS PIPING CONNECTION DETAIL

NTS
NOTE APPLIANCES WITH REGULATORS LOCATE PIPING SHOWN HEREIN UPSTREAM OF THE APPLIANCE REGULATOR. PROVIDE A TEST PLUG DOWNSTREAM OF THE APPLIANCE REGULATOR.



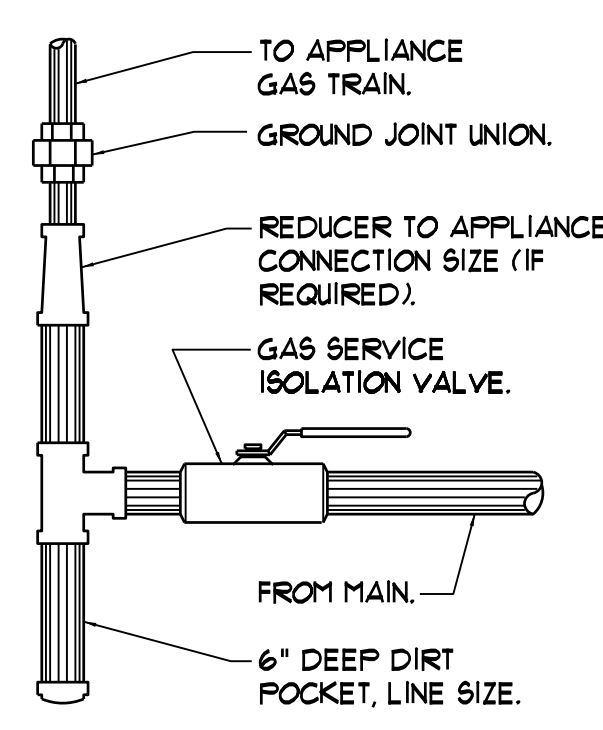
LOW PRESSURE DUCT CONSTRUCTION DETAILS - TYPICAL

NTS



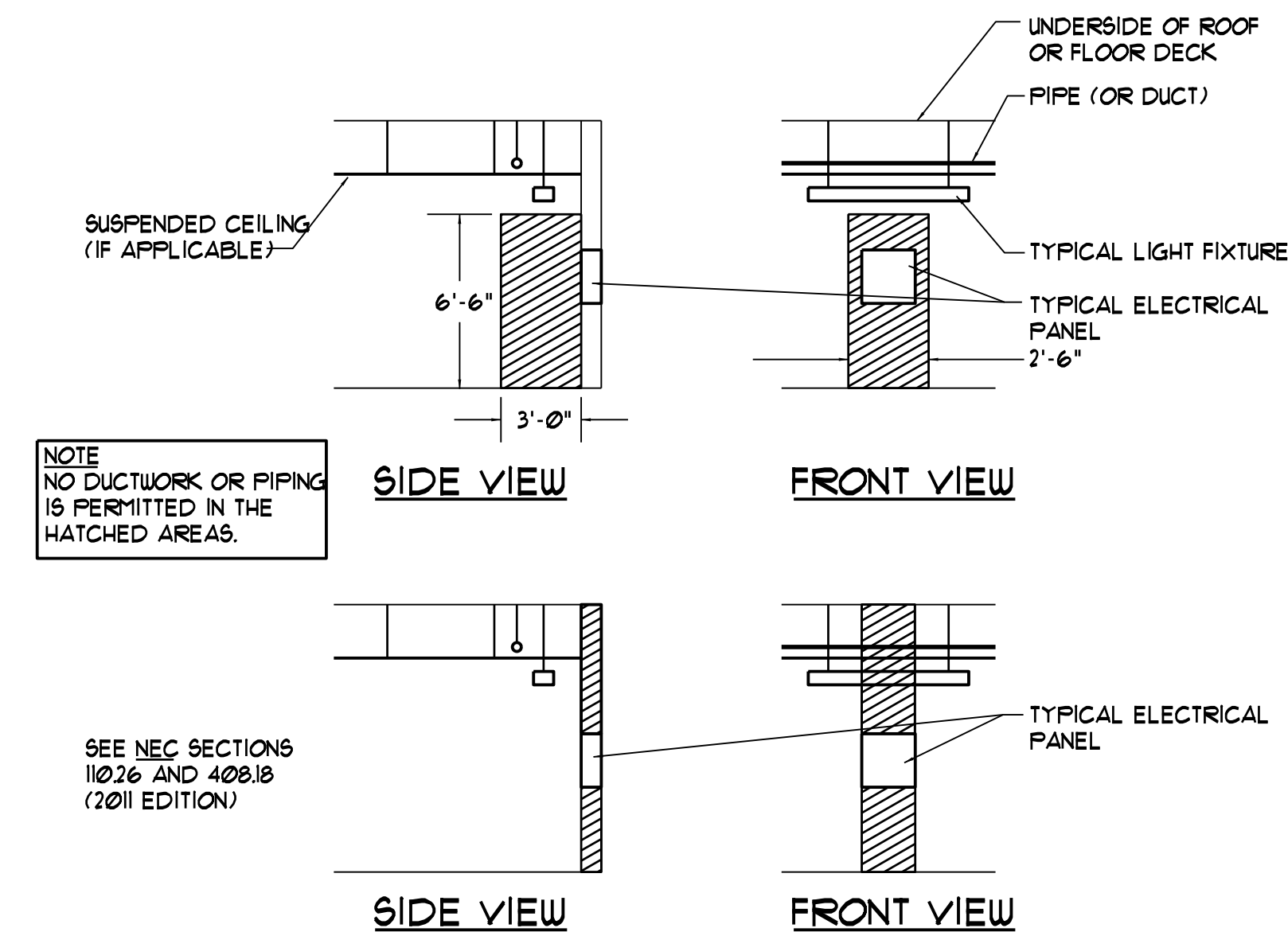
DOWNFEED GAS PIPING CONNECTION DETAIL

NTS
NOTE APPLIANCES WITH REGULATORS LOCATE PIPING SHOWN HEREIN UPSTREAM OF THE APPLIANCE REGULATOR. PROVIDE A TEST PLUG DOWNSTREAM OF THE APPLIANCE REGULATOR.



UPFEED GAS PIPING CONNECTION DETAIL

NTS
NOTE APPLIANCES WITH REGULATORS LOCATE PIPING SHOWN HEREIN UPSTREAM OF THE APPLIANCE REGULATOR. PROVIDE A TEST PLUG DOWNSTREAM OF THE APPLIANCE REGULATOR.



CLEARANCES AT ELECTRICAL PANELS

NTS

ELECTRIC CABINET UNIT HEATER PERFORMANCE SCHEDULE										
TAG	OUTPUT (MEH)	AIRFLOW (CFM)	THROW	MTGHT. (FEET)	ELECTRICAL REQUIREMENTS			BASIS OF DESIGN - BERKO		
					AMPS	WATTS	V/PH/Hz	SERVICE	ARRANGEMENT	MODEL
CUH-1	13.6	-	-	-	19.2	4000	208/1160	SPACE HEAT	RECESSED CEILING	FFCH548/FFCH-RE

PROVIDE WITH REMOTE THERMOSTAT.

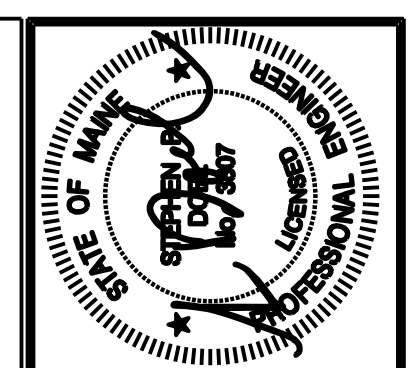
ELECTRIC WALL HEATER PERFORMANCE SCHEDULE										
TAG	OUTPUT (MEH)	AIRFLOW (CFM)	THROW	MTGHT. (FEET)	ELECTRICAL REQUIREMENTS			BASIS OF DESIGN - BERKO		
					AMPS	WATTS	V/PH/Hz	SERVICE	ARRANGEMENT	MODEL
WH-1	6.1	-	-	-	-	1800	120/1160	SPACE HEAT	WALL	SSARUH1802
WH-2	13.6	-	-	-	-	4000	208/1160	SPACE HEAT	WALL	SS40UH4008

ELECTRIC KICKSPACE HEATER PERFORMANCE SCHEDULE										
TAG	OUTPUT (MEH)	AIRFLOW (CFM)	THROW	MTGHT. (FEET)	ELECTRICAL REQUIREMENTS			BASIS OF DESIGN - BERKO		
					AMPS	WATTS	V/PH/Hz	SERVICE	ARRANGEMENT	MODEL
KSH-1	6.2	-	-	-	-	1500	120/1160	SPACE HEAT	KICKSPACE	QTS1500T
KSH-2	3.1	-	-	-	-	1125	120/1160	SPACE HEAT	KICKSPACE	QTS1100

ELECTRIC DUCT COIL PERFORMANCE SCHEDULE							
TAG	HTG. AIR FLOW (CFM)	VELOCITY (FPM)	COIL AREA (LxW)	ELECTRICAL REQUIREMENTS		BASIS OF DESIGN - INDEECO	
				KW	V/PH/Hz	MODEL	SERVICE
HC-201A	600	675	16'x8'	5.5	208/1160	TXFU	UNIT 201
HC-201B	875	656	24'x8'	1.5	208/1160	TXFU	UNIT 201
HC-202A	550	619	16'x8'	5.0	208/1160	TXFU	UNIT 202
HC-202B	320	480	12'x8'	3.5	208/1160	TXFU	UNIT 202
HC-203A	420	630	12'x8'	3.6	208/1160	TXFU	UNIT 203
HC-203B	285	430	12'x8'	3.6	208/1160	TXFU	UNIT 203
HC-203C	180	324	10'x8'	1.5	208/1160	TXFU	UNIT 203
HC-301A	600	675	16'x8'	5.5	208/1160	TXFU	UNIT 301
HC-301B	875	656	24'x8'	1.5	208/1160	TXFU	UNIT 301
HC-302A	550	619	16'x8'	5.0	208/1160	TXFU	UNIT 302
HC-302B	320	480	12'x8'	3.5	208/1160	TXFU	UNIT 302
HC-303A	420	630	12'x8'	3.6	208/1160	TXFU	UNIT 303
HC-303B	285	430	12'x8'	3.6	208/1160	TXFU	UNIT 303
HC-303C	180	324	10'x8'	1.5	208/1160	TXFU	UNIT 303
HC-401A	550	619	16'x8'	5.0	208/1160	TXFU	UNIT 401
HC-401B	1185	711	30'x8'	10.3	208/1160	TXFU	UNIT 401
HC-402A	320	480	12'x8'	3.2	208/1160	TXFU	UNIT 402
HC-402B	630	630	18'x8'	5.1	208/1160	TXFU	UNIT 402
HC-402C	165	371	8'x8'	1.6	208/1160	TXFU	UNIT 402
HC-402D	380	570	12'x8'	3.8	208/1160	TXFU	UNIT 402

PROVIDE MINIMUM 30" WIDE x 42" LONG CLEAR AREA FOR ACCESS TO TERMINAL BOX.

AIR DEVICE PERFORMANCE SCHEDULE										
TAG	PANEL SIZE (IN)	NECK SIZE (IN)	AIRFLOW (CFM)	SPLOSS (INWG)	THROW(L)	THROW(S)	Nc	BASIS OF DESIGN - METALAIRE		
								DUCT CONN.(IN)	PATTERN	MODEL
(A)	-	6x6	100	0.05	-	-	20	6x6	SEE DRAWINGS	5500-D
(B)	-	9x9	250	0.05	-	-	20	9x9	SEE DRAWINGS	5500-D
(C)	-	12x12	400	0.05	-	-	20	12x12	SEE DRAWINGS	5500-D
(D)	-	16x4	180	0.05	-	-	20	10"	SEE DRAWINGS	2115D
(E)	-	20x4	220	0.05	-	-	20	12x6	SEE DRAWINGS	2115D
(F)	-	24x4	330	0.05	-	-	20	18x6	SEE DRAWINGS	2115D
(G)	-	30x4	380	0.05	-	-	20	21x6	SEE DRAWINGS	2115D
(H)	12x12	6"	125	0.05	-	-	20	24x6	SEE DRAWINGS	5150D
(I)	12x12	8"	240	0.05	-	-	20	21x6	SEE DRAWINGS	5150D
(J)	24x24	10"	300	0.05	-	-	20	24x6	SEE DRAWINGS	5150D
(AA)	-	8x8	100	0.05	-	-	20	8x8	SEE DRAWINGS	R4D
(BB)	-	12x12	400	0.05	-	-	20	12x12	SEE DRAWINGS	R4D
(CC)	-	16x16	650	0.05	-	-	20	16x16	SEE DRAWINGS	R4D
(DD)	-	16x4	180	0.05	-	-	20	24x6	SEE DRAWINGS	2115D
(EE)	-	20x4	220	0.05	-	-	20	8x8	SEE DRAWINGS	2115D
(FF)	-	24x4	330	0.05	-	-	20	12x12	SEE DRAWINGS	2115D
(GG)	-	30x4	380	0.05	-	-	20	16x16	SEE DRAWINGS	2115D
(HH)	-	14x14	440	0.05	-	-	20	24x6	SEE DRAWINGS	SR4D
(II)	-	16x16	600	0.05	-	-	20	24x6	SEE DRAWINGS	SR4D



Prepared For:



Consultant:



Architect:

185 FORE STREET
Portland, Maine

Revisions:
06-11-15 ADDENDUM #1

Scale:
As indicated

Date:
22 May, 2015

MECHANICAL SCHEDULES AND DETAILS

M3.02