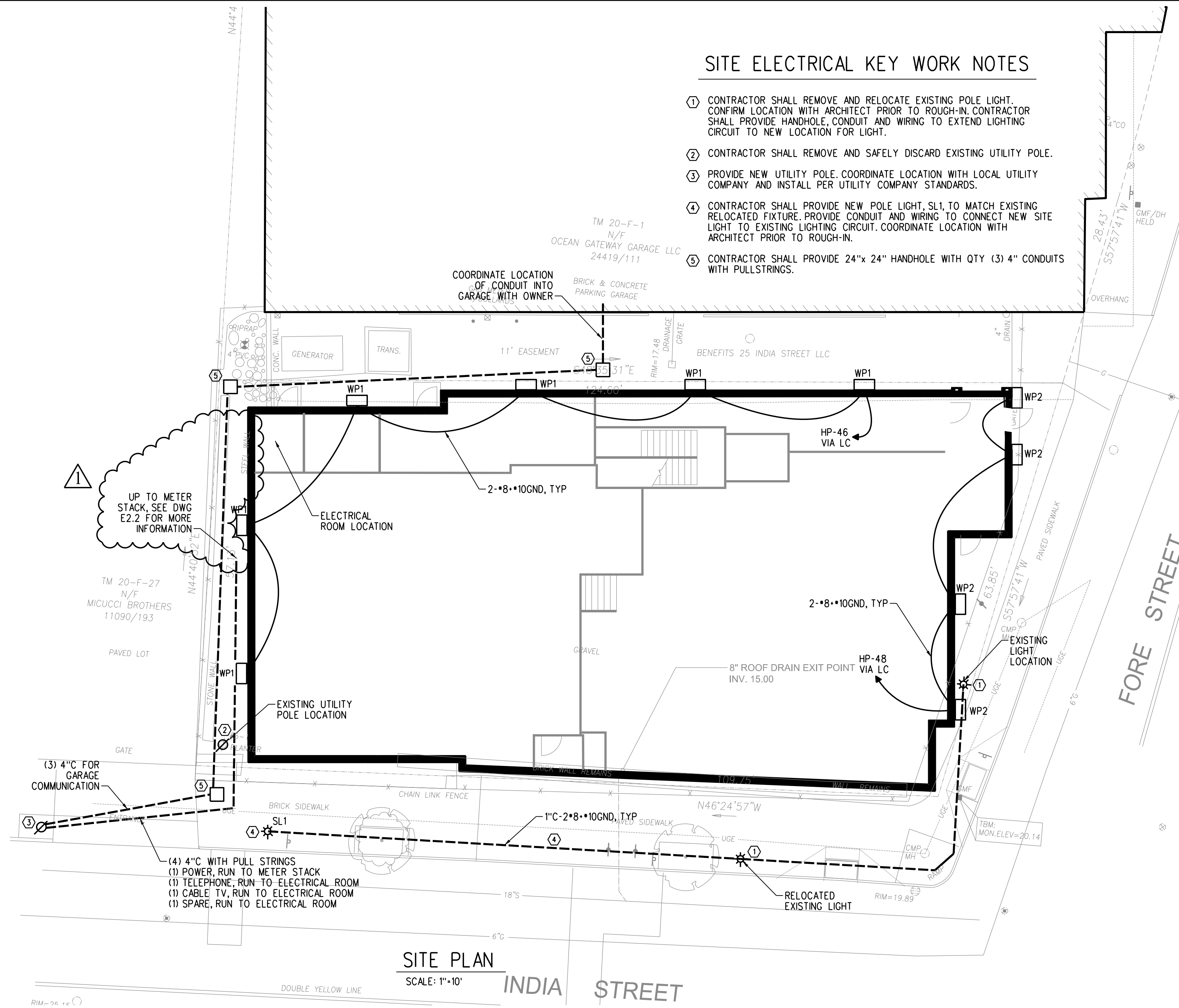


SITE ELECTRICAL KEY WORK NOTES

- CONTRACTOR SHALL REMOVE AND RELOCATE EXISTING POLE LIGHT. CONFIRM LOCATION WITH ARCHITECT PRIOR TO ROUGH-IN. CONTRACTOR SHALL PROVIDE HANDHOLE, CONDUIT AND WIRING TO EXTEND LIGHTING CIRCUIT TO NEW LOCATION FOR LIGHT.
- CONTRACTOR SHALL REMOVE AND SAFELY DISCARD EXISTING UTILITY POLE.
- PROVIDE NEW UTILITY POLE. COORDINATE LOCATION WITH LOCAL UTILITY COMPANY AND INSTALL PER UTILITY COMPANY STANDARDS.
- CONTRACTOR SHALL PROVIDE NEW POLE LIGHT, SL1 TO MATCH EXISTING RELOCATED FIXTURE. PROVIDE CONDUIT AND WIRING TO CONNECT NEW SITE LIGHT TO EXISTING LIGHTING CIRCUIT. COORDINATE LOCATION WITH ARCHITECT PRIOR TO ROUGH-IN.
- CONTRACTOR SHALL PROVIDE 24"x 24" HANDHOLE WITH QTY (3) 4" CONDUITS WITH PULLSTRINGS.

GENERAL NOTES - SITE ELECTRICAL

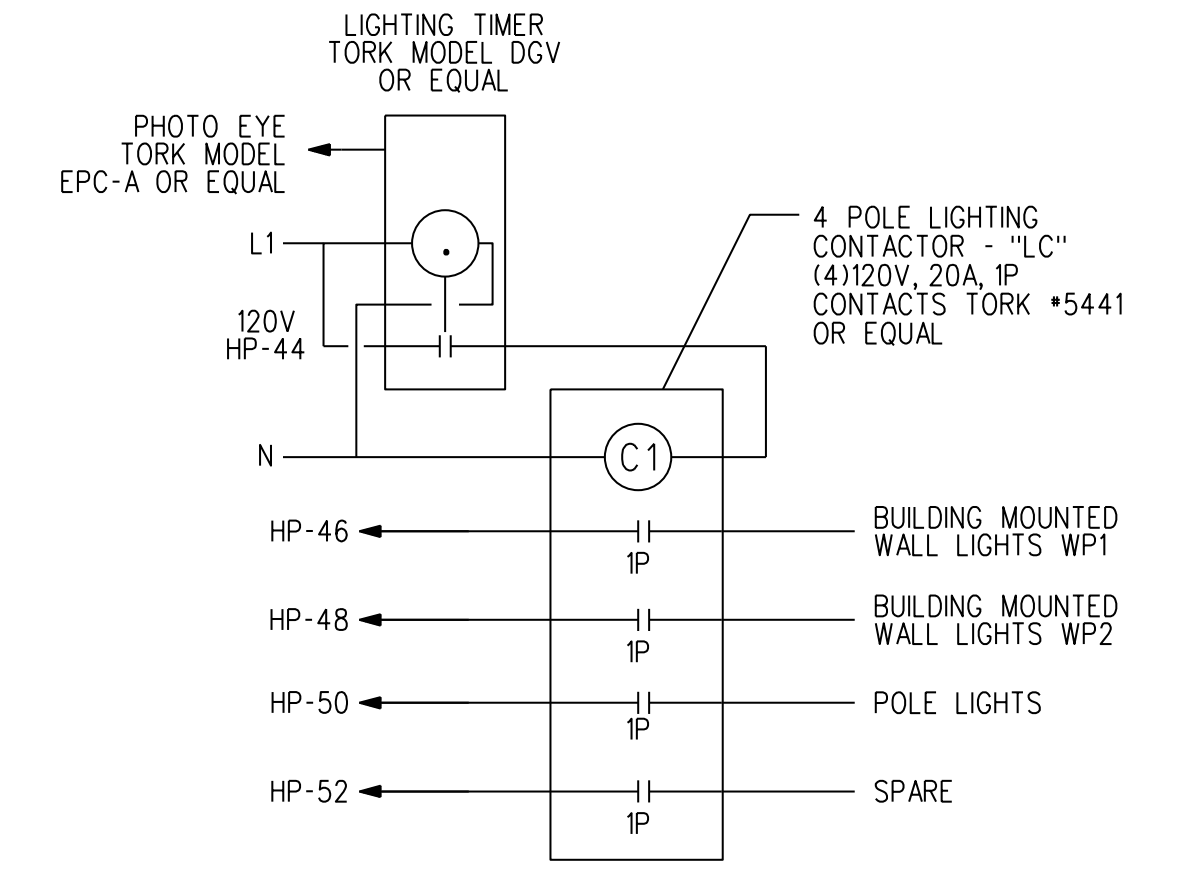
- THE COMPLETE INSTALLATION SHALL CONFORM WITH ALL APPLICABLE FEDERAL, STATE AND LOCAL LAWS, CODES AND ORDINANCES, INCLUDED BUT NOT LIMITED TO APPROVED EDITIONS OF THE FOLLOWING: NATIONAL ELECTRICAL SAFETY CODE (ANSI C2); NATIONAL ELECTRICAL CODE (NFPA 70); OCCUPATIONAL SAFETY AND HEALTH ACT (OSHA) AND ALL AMENDMENTS THERETO. NOTHING CONTAINED IN THESE DRAWINGS AND SPECIFICATIONS SHALL BE CONSTRUED TO CONFLICT WITH THESE LAWS, CODES, AND ORDINANCES, AND THEY ARE THEREBY INCLUDED IN THESE SPECIFICATIONS. OBTAIN PERMITS AND REQUEST INSPECTIONS FROM ALL AUTHORITIES HAVING JURISDICTION. COMPLY WITH ALL POWER, TELEPHONE, CABLE TELEVISION PROVIDER REGULATIONS AND STANDARDS.
- THE FOLLOWING ELECTRICAL WORK SHALL BE PERFORMED UNDER THIS CONTRACT: UNDERGROUND CONDUIT, FITTINGS, AND ALL DEVICES; PROVISION OF HAND HOLES, NEW LIGHTING FIXTURES, POLES WITH ALL ACCESSORIES INCLUDING ANCHOR BOLTS AND POLE BASES; PROVISION OF UNDERGROUND CONDUIT AND WIRE TO SERVE NEW LIGHTING EQUIPMENT AND RECEPTACLES; PROVISION OF SERVICE EQUIPMENT, INCLUDING OUTDOOR CABINETS, INGROUND SPLICE BOXES, GROUNDING, METER ENCLOSURES, AND WEATHERPROOF RECEPTACLES.
- ELECTRICAL UTILITY SHALL PROVIDE ALL ASSOCIATED OVERHEAD AND UNDERGROUND PRIMARY WIRING, PRIMARY TERMINATIONS, TRANSFORMERS, AND CONNECTIONS TO EXISTING OVERHEAD LINES. CONTRACTOR SHALL PROVIDE UNDERGROUND CONDUIT.
- PROVIDE UNDERGROUND ELECTRICAL WARNING TAPE: 6" WIDE PLASTIC TAPE, COLORED RED WITH SUITABLE LEGEND DESCRIBING BURIED ELECTRICAL LINES FOR ALL UNDERGROUND CONDUITS. LOCATE 6 INCHES BELOW FINISHED GRADE.
- REFER TO CIVIL DRAWINGS FOR EXCAVATION AND BACKFILL OF ALL UNDERGROUND WORK.
- EXISTING UTILITY LOCATIONS ARE APPROXIMATE AND SHALL BE FIELD VERIFIED. CONTRACTORS SHALL CONTACT DIG SAFE BEFORE BEGINNING ANY EXCAVATIONS.
- FINAL LOCATION OF NEW UTILITIES MAY VARY FROM PLANS PENDING UTILITY COMPANY FIELD COORDINATION.
- THE LOCAL TELEPHONE AND CABLE TELEVISION SERVICE PROVIDERS SHALL PROVIDE AND INSTALL ALL THE SITE UTILITY SERVICE CABLE TO NEW BACKBOARD IN THE CONDUITS PROVIDED BY THE CONTRACTOR AS PART OF THE SITE WORK.
- UNDERGROUND CONDUIT SHALL BE SCHED 40 PVC. ABOVE GRADE CONDUIT SHALL BE RGS. ALL CONDUIT SWEEPS SHALL BE RGS LONG SWEEPS.
- PROVIDE EXPANSION FITTINGS FOR ALL UNDERGROUND CONDUIT CONNECTED TO FIXED ABOVE GROUND STRUCTURES.
- GENERATOR PAD GROUNDING: PROVIDE (2) 3/4" x 8" LONG GROUND RODS AT OPPOSITE CORNERS OF GENERATOR PAD. PROVIDE 3/0 COPPER GROUND LOOP 30" BELOW GRADE AROUND PAD. RUN GROUND CABLE TO MAIN SWITCH GEAR. VERIFY GROUNDING REQUIREMENTS WITH GENERATOR MANUFACTURER PRIOR TO INSTALLING THE GENERATOR.
- PROVIDE A LISTED INTERSYSTEM BONDING TERMINAL AT THE SERVICE ENTRANCE. INSTALL IN ACCORDANCE WITH NFPA 70, 250.94
- REFER TO ONE-LINE DIAGRAM FOR ADDITIONAL INFORMATION.



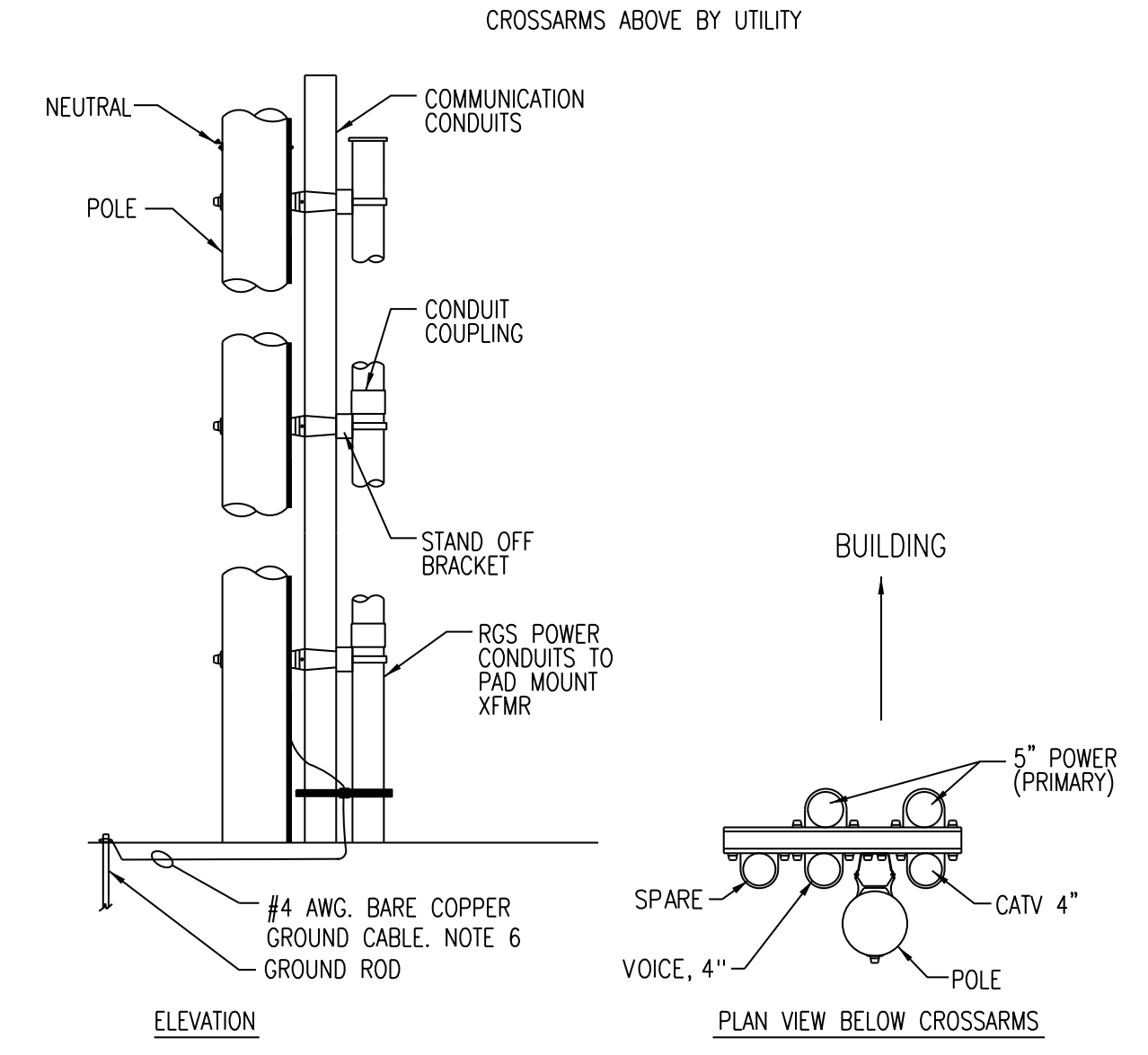
SITE PLAN
SCALE: 1"=10'

SITE FIXTURE SCHEDULE

TYPE	MANUFACTURER AND MODEL NUMBER	LAMP INFO	REMARKS
WP1	HUBBELL LIGHTING No QSP-20LU-5K-2-050-DB	36W LED, 4700K	EXTERIOR WALL PACK. VERIFY FIXTURE COLOR, MOUNTING HEIGHT AND LOCATIONS WITH ARCHITECT PRIOR TO ROUGH-IN
WP2	ARCHITECTURAL LIGHTING No VSCL-DS-39MHT6EB-FCO	39W MH, G-12 BASE, T-6 CERAMIC LAMP	CONFIRM FASCIA AND FIXTURE COLOR ALONG WITH MOUNTING HEIGHT AND LOCATIONS WITH ARCHITECT PRIOR TO ROUGH-IN
SP1	POLE LIGHT CONTRACTOR SHALL MATCH EXISTING FIXTURE	MATCH EXISTING	MATCH EXISTING FIXTURE TO BE RELOCATED AND CIRCUIT AS SHOWN ON DRAWING



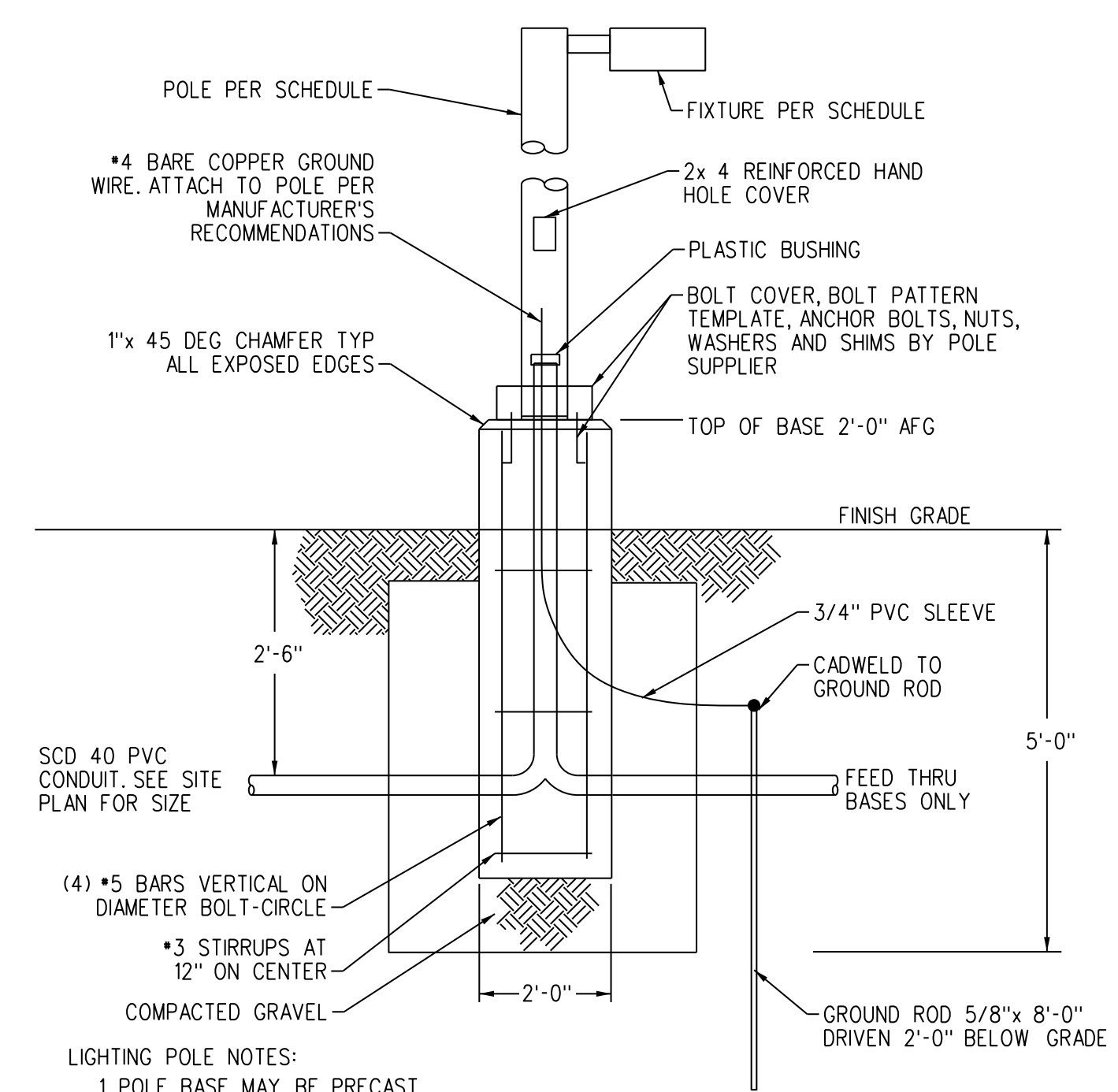
LIGHTING CONTACTOR "LC" DETAIL
SCALE: NONE



RISER POLE BRACKET DETAIL
SCALE: NONE

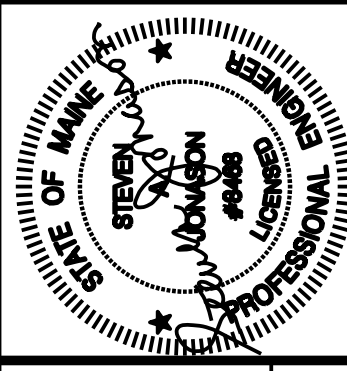
- NOTES:
- PROVIDE STANDOFF BRACKETS AS INDICATED.
 - CONDUIT SHALL BE RGS CONDUIT ONLY.
 - TOP CONDUIT SECTIONS LONGER THAN 24" SHALL BE SUPPORTED.
 - LOWEST BRACKET SHALL BE MINIMUM OF 8' ABOVE FINISHED GRADE.
 - ONE BRACKET SHALL BE USED TO SUPPORT EACH 10' SECTION OF CONDUIT WITH THE BRACKET PLACED JUST BELOW THE RISER CONDUIT COUPLING.
 - GROUND RGS RISERS TO GROUND ROD, PIPE CLAMP AND EXTEND #4 AWG. CONDUCTOR UP RISER POLE TO NEUTRAL. BOND GUY WIRE TO SYSTEM NEUTRAL. PROVIDE A YELLOW, PVC U GUARD FOR THE GROUND WIRE.

- UTILITY COORDINATION NOTES
- A TELEPHONE CABLE WILL BE INSTALLED TO THE ELECTRICAL ROOM BY THE TELEPHONE UTILITY. PROVIDE CONDUIT AS INDICATED ON DRAWINGS. THE TELEPHONE UTILITY WILL TERMINATE PAIRS AT THE EQUIPMENT INSIDE THE ELECTRICAL ROOM.
 - A CATV CABLE SHALL BE INSTALLED TO THE ELECTRICAL ROOM BY UTILITY INSTALL TERMINATIONS FOR CATV HOMERUNS.
 - COORDINATE INSTALLATION WITH ALL UTILITY REGULATIONS.
 - PROVIDE HOMERUNS TO EACH CATV AND TELEPHONE OUTLET TO BACKBOARDS. CAT-5 RUNS SHALL NOT BE MORE THEN 300 FEET.

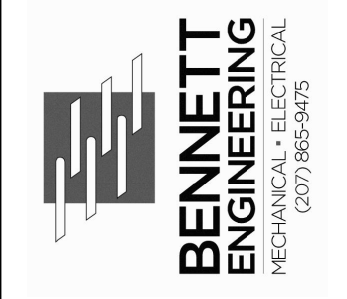


POLE BASE DETAIL
SCALE: NONE

- LIGHTING POLE NOTES:
- POLE BASE MAY BE PRECAST.
 - PAINT EXPOSED CONCRETE WITH (2) TWO COATS OF BRONZE MASONRY PAINT.
 - CONCRETE WITH AIR ENTRAINMENT AGENT. 4000 P.S.I. AFTER 30 DAYS



Prepared For:



Consultant:

ARCHETYPE architects
48 Union Wharf Portland, Maine 04101
(207) 772-6022 Fax (207) 772-4056

Architect:

185 FORE STREET
Portland, Maine

Project:

Revisions: 06-11-15 ADDENDUM #1

Scale:

As indicated

Date:

22 May, 2015

SITE PLAN

E1.01