

Prepared For:  
**BATEMAN PARTNERS, LLC.**  
 470 FORE STREET  
 PORTLAND, ME 04101

Consultant:

Architect:  
**ARCHETYPE architects**  
 48 Union Wharf Portland, Maine 04101  
 (207) 772-6022 Fax (207) 772-4056

Project:

185 Fore Street

185 Fore Street, Portland Maine

Revisions:

1	05-22-2014	BID SET
2	06-12-2015	ADDENDUM 1

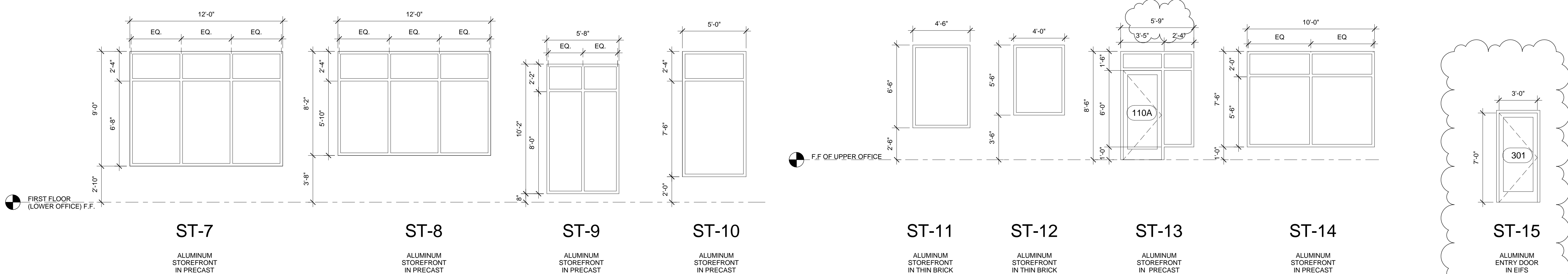
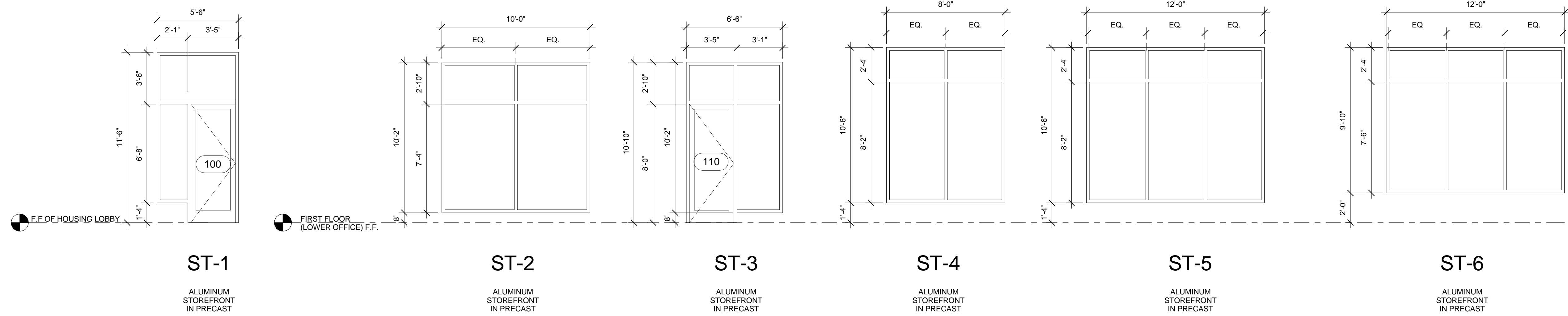
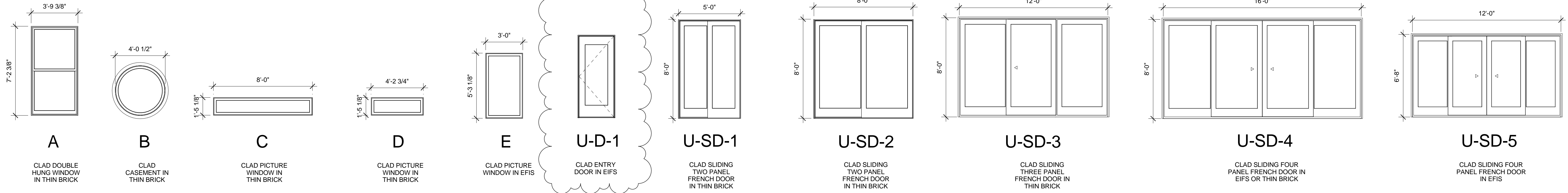
Scale:

1/4" = 1'-0"

Date:  
12 JUNE, 2015

WINDOW SCHEDULE

**A8.02**



WINDOW SCHEDULE

1/4" = 1'-0" 0 1'-0" 2'-0" 4'-0" 8'-0"