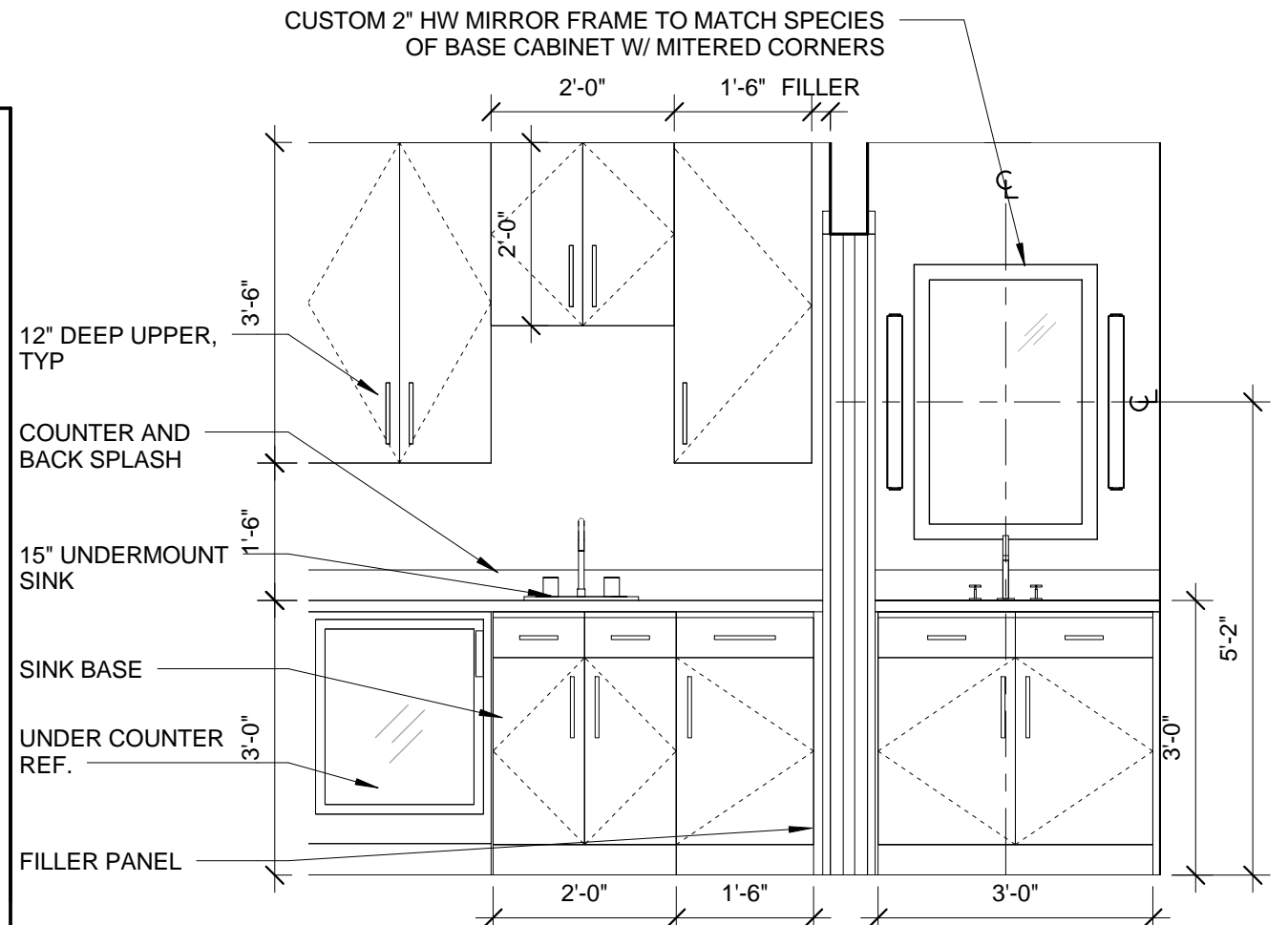
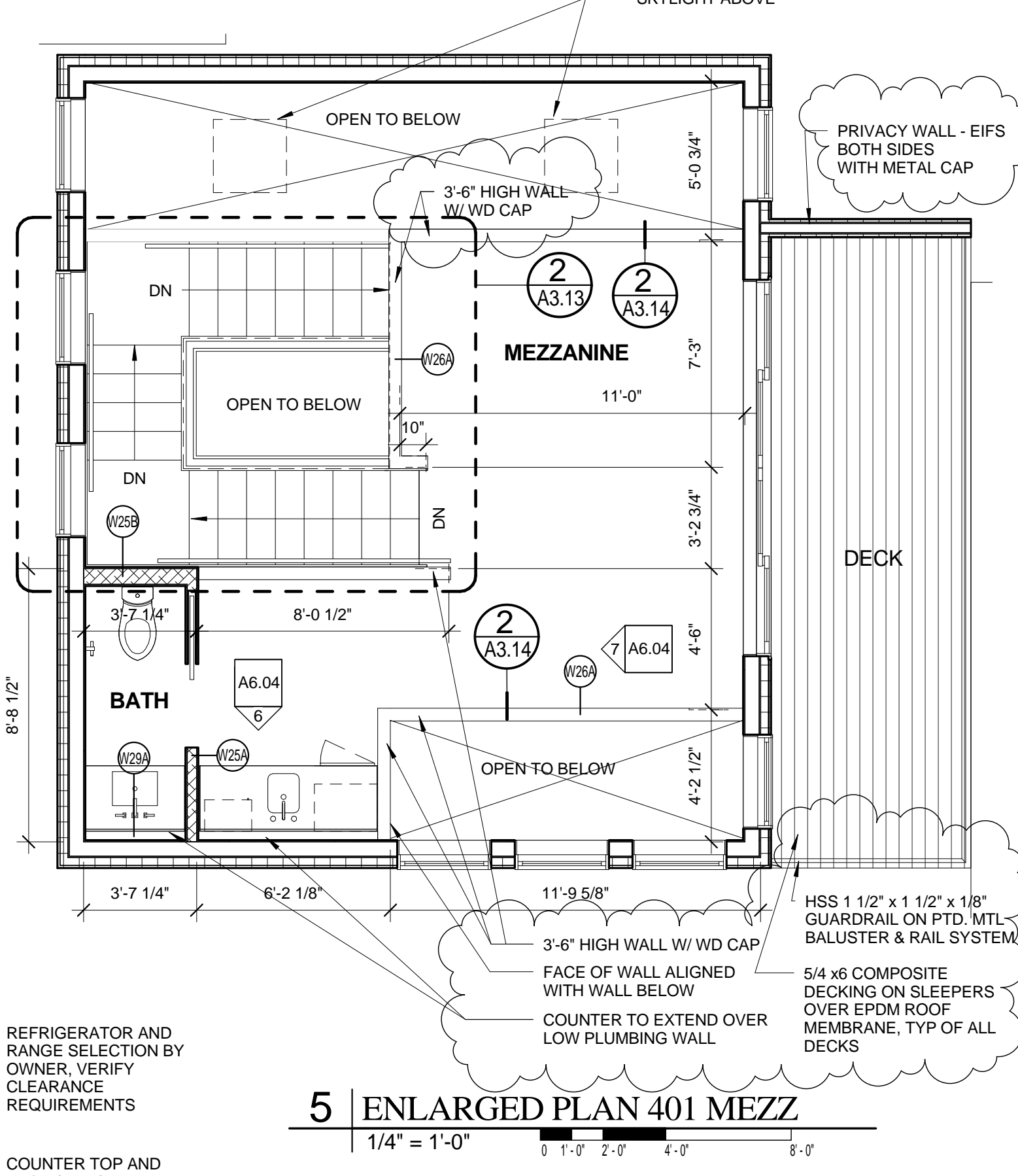


7 UNIT 401 LIVING/DINING/MEZZANINE
1/2" = 1'-0"

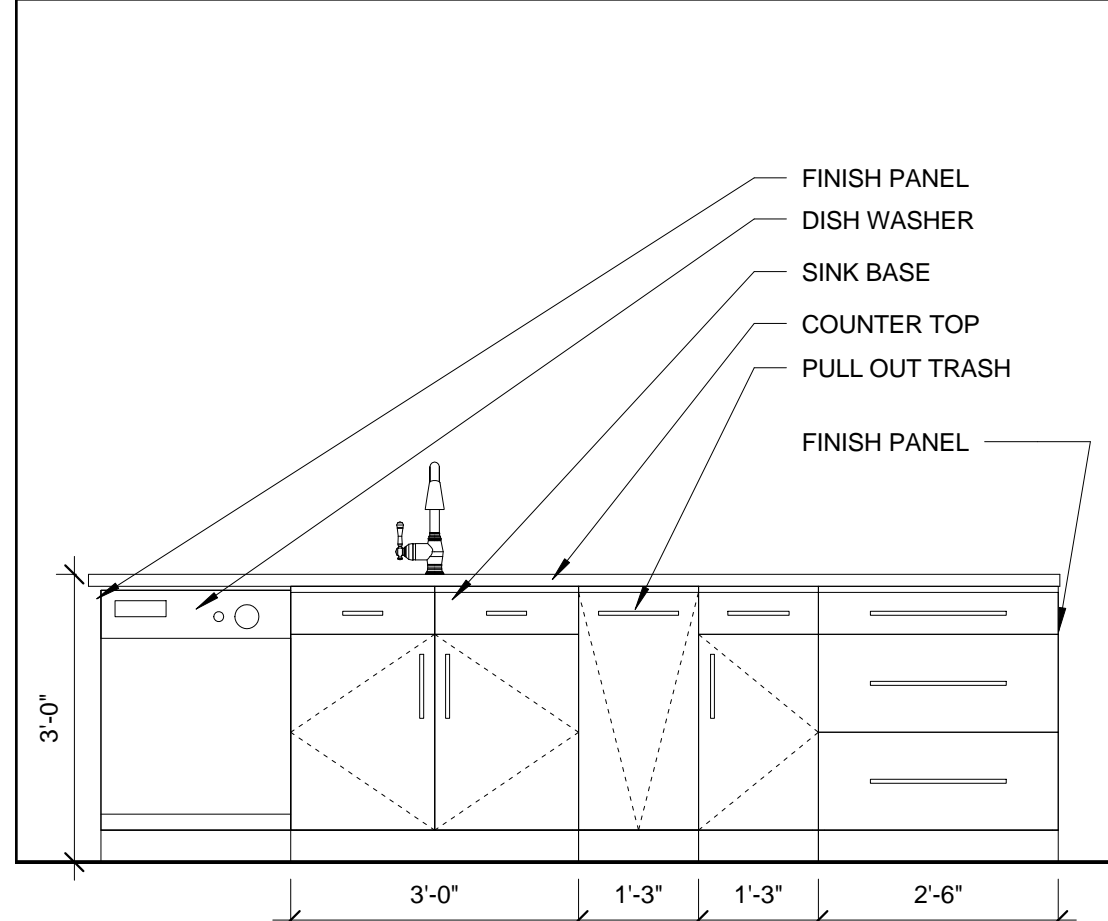


6 UNIT 401 MEZZ ELEV.
1/2" = 1'-0"

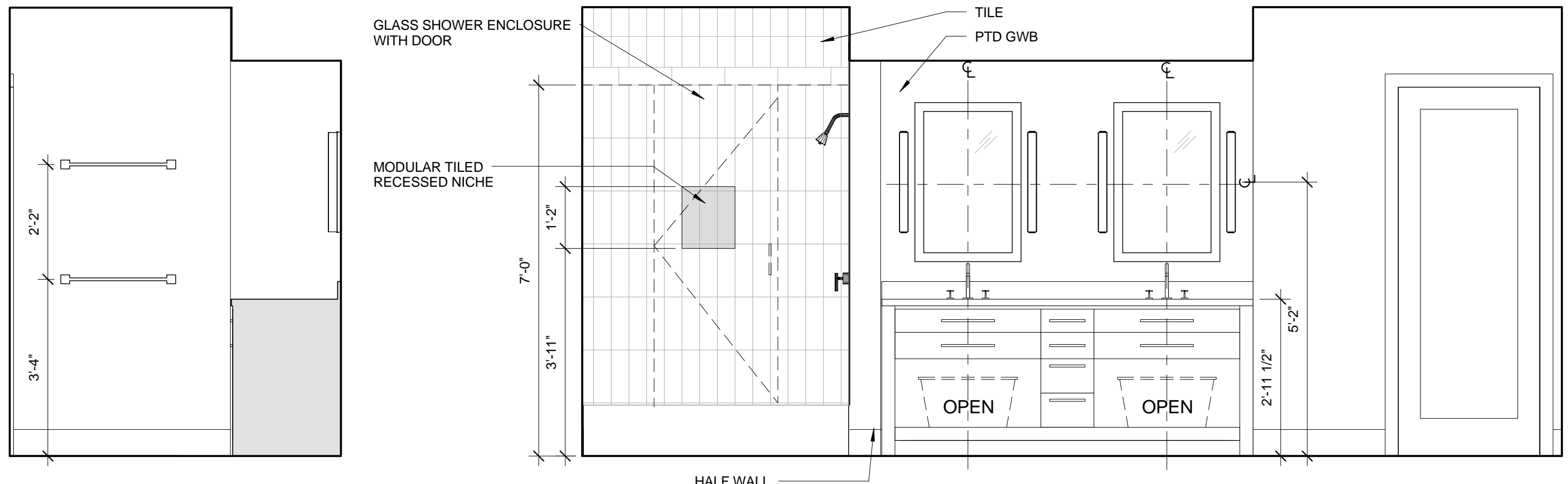


5 ENLARGED PLAN 401 MEZZ
1/4" = 1'-0"

NOTE: AT INSTALLATIONS WHERE CABINET ENDS AND/OR BACKS ARE EXPOSED, PROVIDE FINISH END AND/OR BACK PANELS AS REQUIRED. LEAVE 1/2" OVERHANG ON COUNTER TOP. PROVIDE FILLER PANEL AS REQUIRED FOR BASE AND WALL CABINETS.

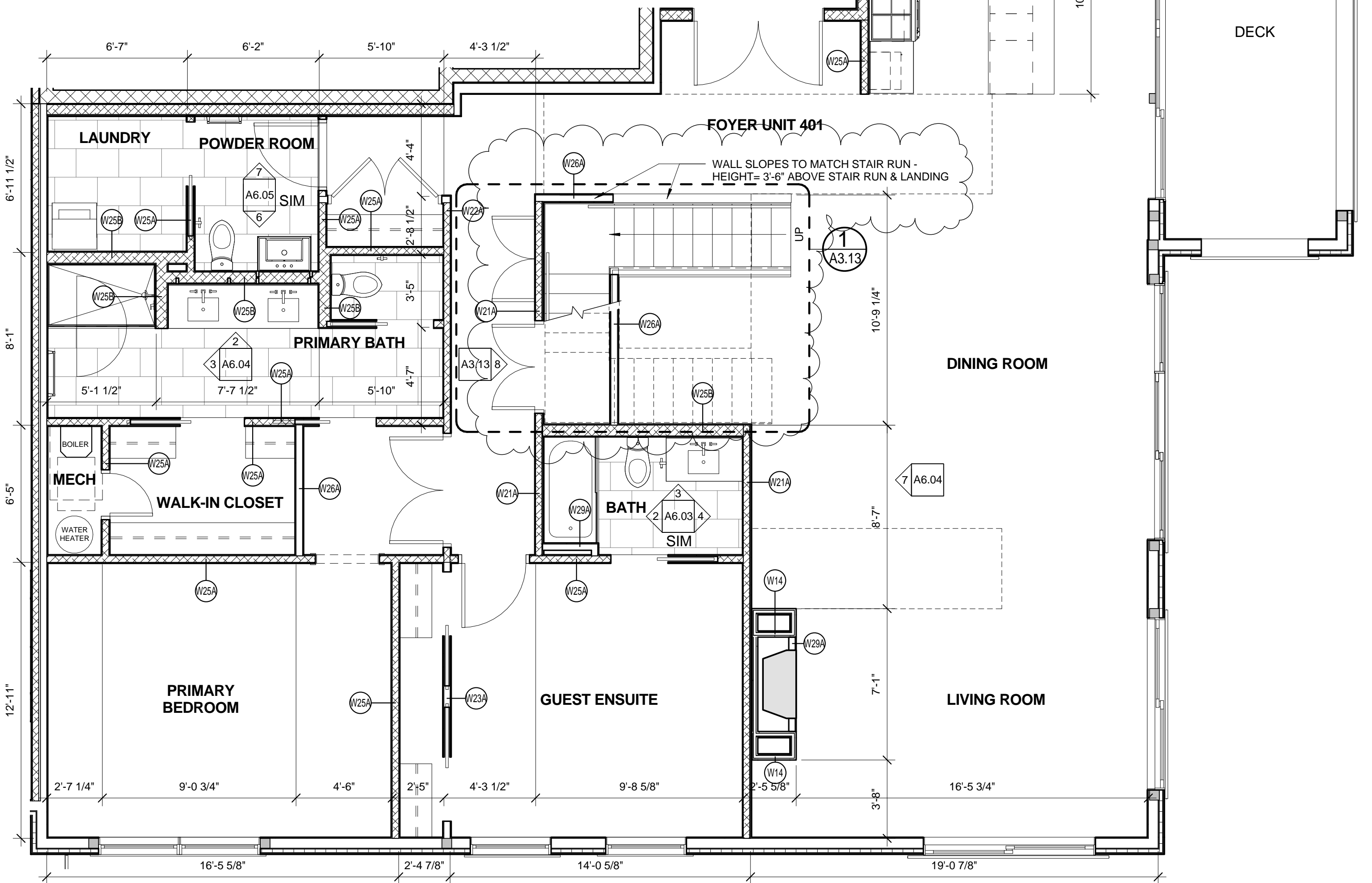


4 UNIT 401 ELEV. B
1/2" = 1'-0"



3 PRIM BATH 401 ELEV B
1/2" = 1'-0"

2 PRIM BATH 401 ELEV A
1/2" = 1'-0"



1 ENLARGED PLAN 401
1/4" = 1'-0"