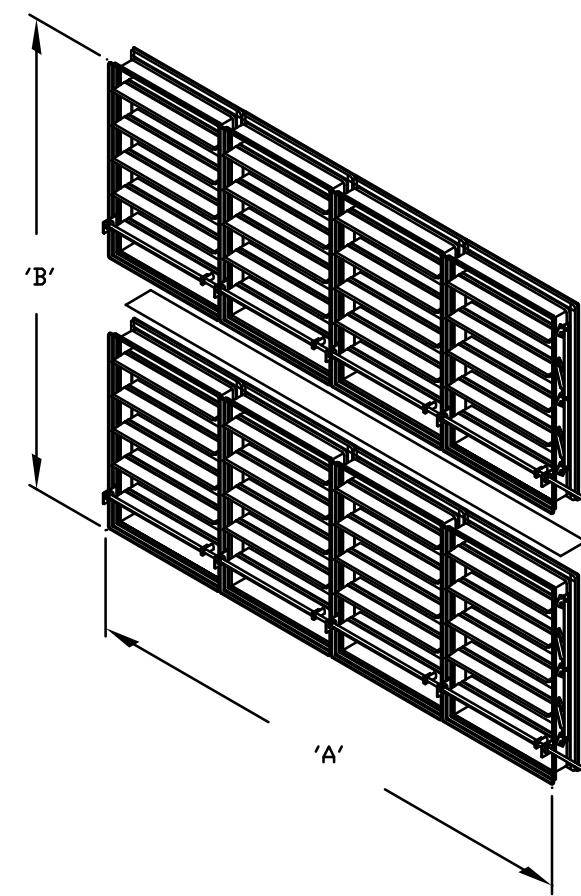


MAX UL CLASSIFIED SIZE
FSD60 DB, 60-IIDB, 37DB, 36DB, 35DB, 34DB

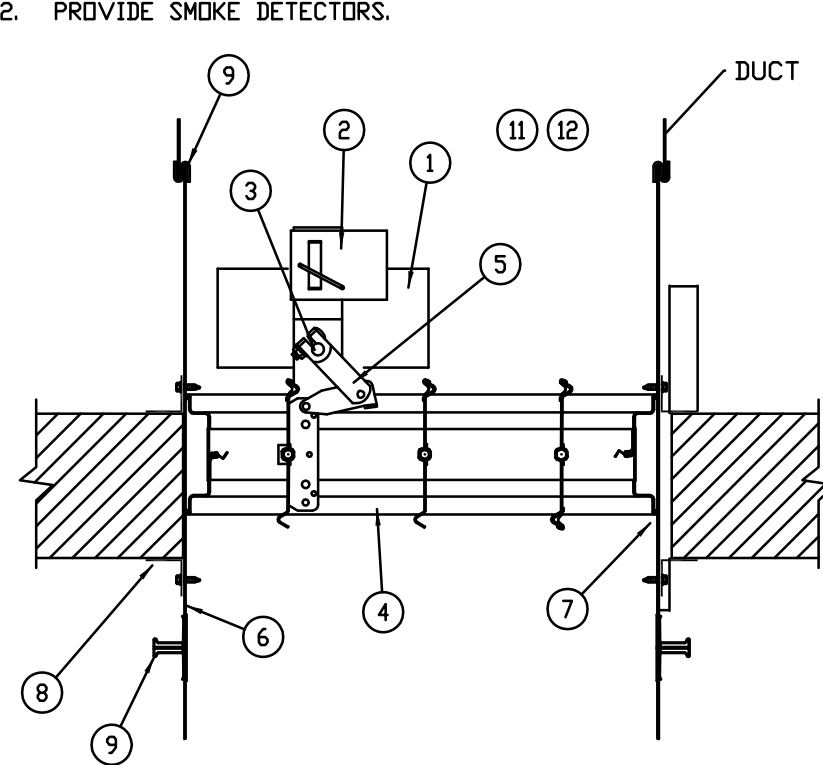


WA = 126" (3200)
FOR FSD36DB
WA = 120" (3048)
FOR FSD34DB, 35DB,
37DB, 60 DB, 60-IIDB

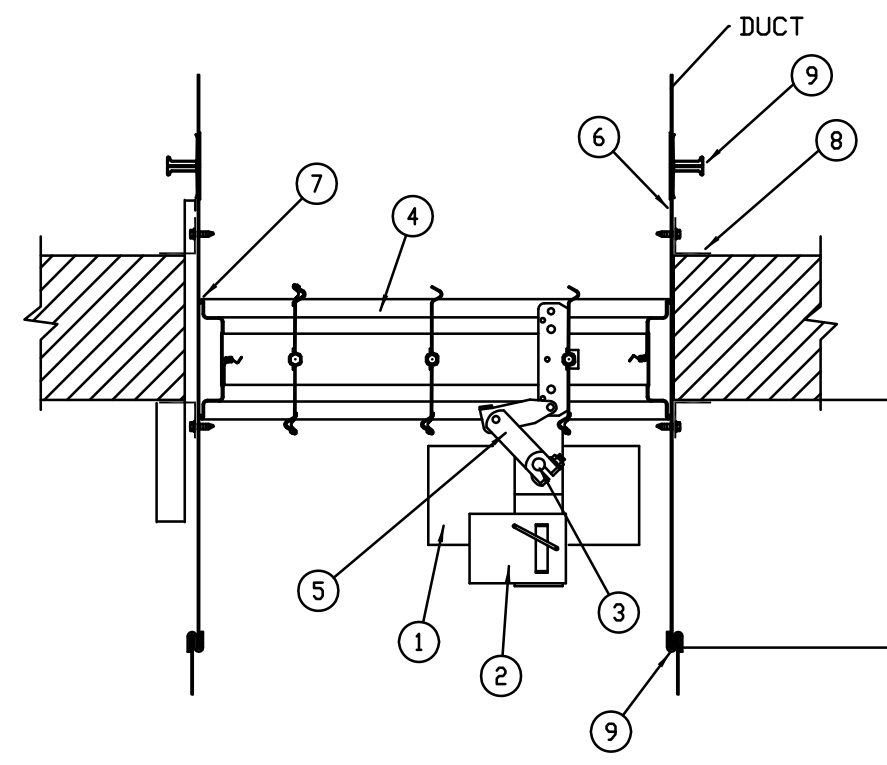
BA = 122" (3099)
FOR FSD36DB
BA = 98" (2489) FOR
FSD60DB, 60-IIDB
BA = 96" (2438) FOR
FSD34DB, 35DB, 37DB

14 GAGE (2) X
DAMPER
1/4" DIMENSION X 5"
(127) WIDE
REINFORCING PLATE

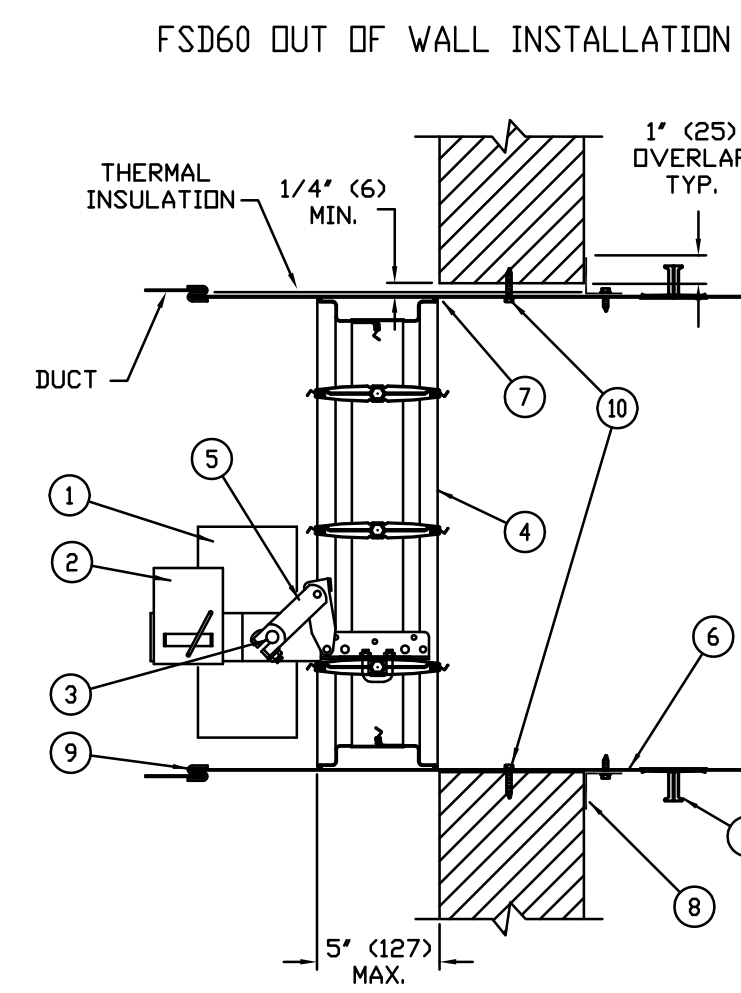
- | ITEM | DESCRIPTION |
|------|--------------------------------------------------------------------------------------------------------------------------------------------------------------------------------------------------------------------------------------------|
| 1. | ACTUATOR w/ END SWITCH (LOCATION MAY VARY).
RUSKIN'S UL LISTED FIRE DAMPER, OR GREENHECK.
ACTUATORS MAY BE FIELD INSTALLED IF PROPERLY LABELED. SEE
ACTUATOR INSTALLATION INSTRUCTIONS FOR FIELD MOUNTING OF
DAMPER ACTUATORS. |
| 2. | FIRESTAT OR SP100 |
| 3. | AUXILIARY OPERATING JACK SHAFT |
| 4. | FIRE / SMOKE DAMPER |
| 5. | DVER CENTER LOCK |
| 6. | SLEEVE |
| 7. | CAULKING MATERIAL
(MAY BE ON EITHER SIDE OF DAMPER FRAME) |
| 8. | PFMA OR CONVENTIONAL MOUNTING ANGLES |
| 9. | S-JOINT/DUCT MATE, SLEEVE TO DUCT |
| 10. | RUSKIN MODEL NUMBERS LISTED. APPROVED EQUAL PRODUCTS FROM GREENHECK ARE ACCEPTABLE. |
| 11. | PROVIDE ACCESS DOORS AS REQUIRED. |
| 12. | PROVIDE SMOKE DETECTORS. |



ACTUATOR ABOVE DAMPER

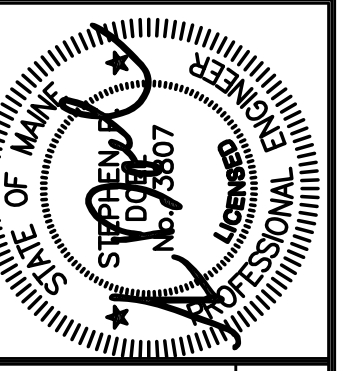


ACTUATOR BELOW DAMPER



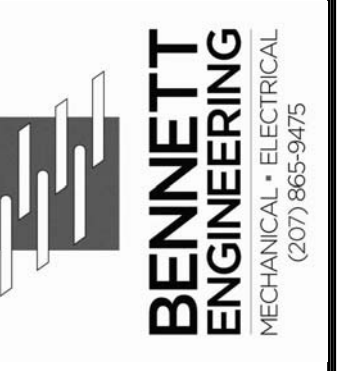
COMBINATION FD / SD INSTALLATION DETAIL

NTS

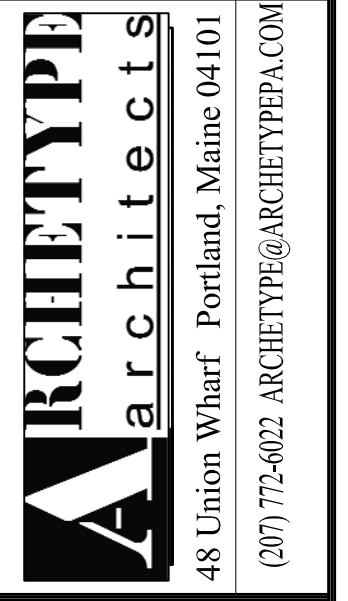


Prepared For: **Archetype**

Union Wharf
Portland, ME 04101



Consultant:



Project:
**16 MIDDLE STREET
OFFICE BUILDING**
MIDDLE STREET
PORTLAND, MAINE

Revisions:

Date: **13 APR 2017**
Scale: **1/8"=1'-0" U.N.O.**

**BenKay Restaurant
MECHANICAL DETAILS**

M1.03