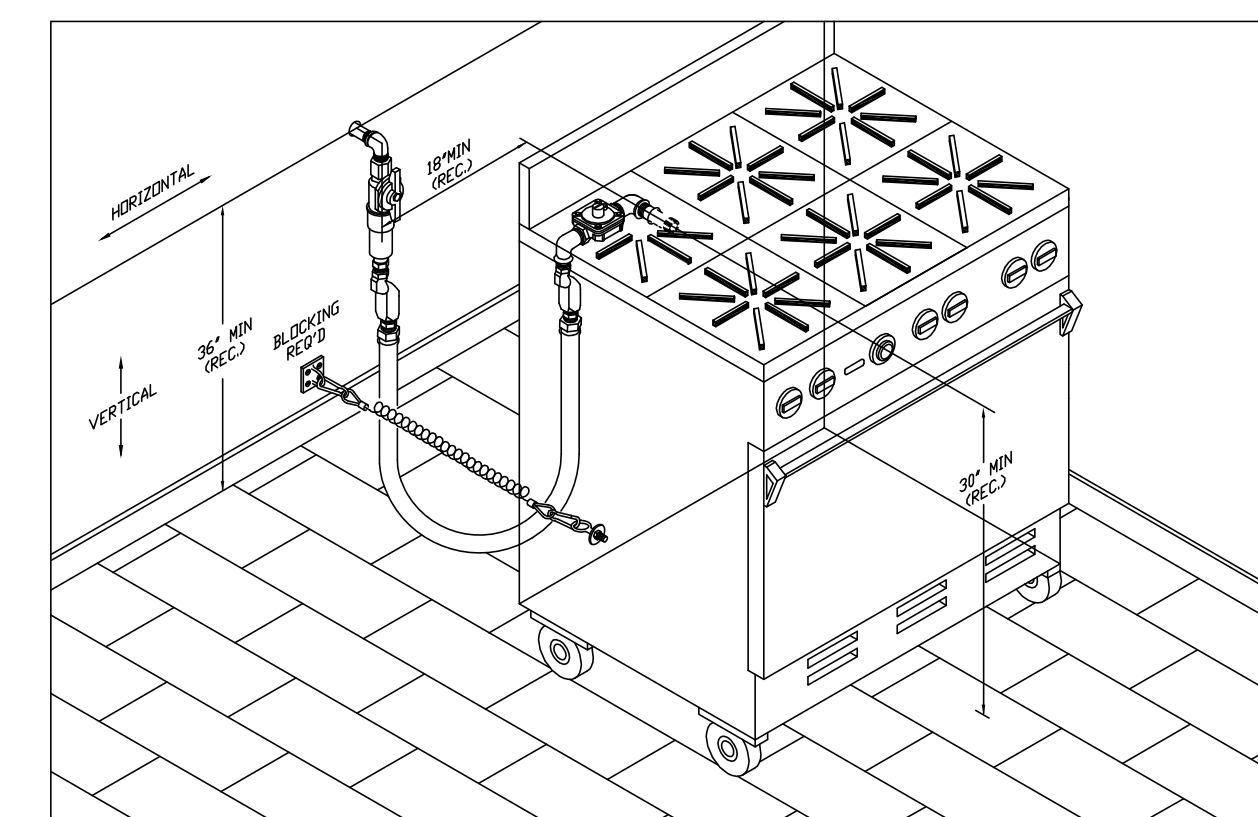


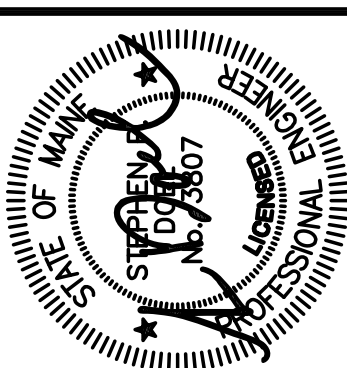
General Notes
 1. B.J. means "Between Joists".

General Mechanical Notes

1. Kitchen Hood exhaust ductwork shall be constructed of 16 gauge black iron with welded construction per NFPA96. Provide bolted and gasketed cleanout doors as required. Exhaust ductwork shall be wrapped with two (2) layers of 1/2" thick Fibergrip Elite or Unifrax ceramic insulation, suitable for zero clearance to combustibles.
2. Gas water heater venting shall be Centraltherm or equal polypropylene.
3. Provide combination fire / smoke dampers (FD / SD) at all locations where the ducts penetrate the shaft wall enclosure for ducts that penetrate two (2) or more floors (except grease ducts). For ducts that only penetrate one (1) floor, fire dampers are required.
4. Concealed supply ductwork shall be insulated with 2" thick fiberglass ductwrap w/ FSK.
5. Domestic hot and cold water piping shall be insulated with 1" thick fiberglass pipe insulation.
6. Coordinate exposed ductwork with the lighting plan.



Gas Hose Connection Detail @ Kitchen Appliances
 SCALE None



Prepared For:
Archetype
 Union Wharf
 Portland, ME 04101



Consultant:
BENNETT ENGINEERING
 MECHANICAL • ELECTRICAL
 (207) 865-9475

Architect:
ARCHETYPE
 architects
 48 Union Wharf Portland, Maine 04101
 (207) 772-4002 ARCHETYPE@ARCHETYPEPA.COM

Project:
16 MIDDLE STREET
OFFICE BUILDING
 MIDDLE STREET
 PORTLAND, MAINE

Revisions:

Date: **13 APR 2017**
 Scale: **1/8"=1'-0" U.N.O.**
BenKay Restaurant
HVAC 1st FLOOR PLAN

M1.02