

PANEL TP1AH (BENKAY REST WALL) 480/277 3PH 4W 225 AMP BUS - MLO 42K AIC NEMA TYPE 1 (RECESSED)													
CKT #	LOAD DESCRIPTION	AT	P	CA	DF	DA	CKT #	LOAD DESCRIPTION	AT	P	CA	DF	DA
1							2	LIGHTING	20	1			0
3							4	LIGHTING	20	1			0
5	75 KVA DTT	60	3	2	#####	#####	6	SPARE	20	1			0
7	SPARE	20	1				8						
9	SPARE	20	1				10	AC UNIT (ROOF TOP)	25	3	20	0.70	14
11	SPARE	20	1				12						
13	SPARE	20	1				14	SPARE	20	1			0
15	SPARE	20	1				16	SPARE	20	1			0
17	SPARE	20	1				18	SPARE	20	1			0
19	SPARE	20	1				20	SPARE	20	1			0
21	SPARE	20	1				22	SPARE	20	1			0
23	SPARE	20	1				24	SPARE	20	1			0
25	SPARE	20	1				26	SPARE	20	1			0
27	SPARE	20	1				28	SPARE	20	1			0
29	SPARE	20	1				30	SPARE	20	1			0
31	SPARE	20	1				32	SPARE	20	1			0
33	SPARE	20	1				34	SPARE	20	1			0
35	SPARE	20	1				36	SPARE	20	1			0
37	SPARE	20	1				38	SPARE	20	1			0
39	SPARE	20	1				40	SPARE	20	1			0
41	SPARE	20	1				42	SPARE	20	1			0

PANEL TP1AL (BENKAY REST WALL) SECTION 1 120/208 3PH 4W 225 AMP BUS - MCB 42K AIC NEMA TYPE 1 (RECESSED)													
CKT #	LOAD DESCRIPTION	AT	P	CA	DF	DA	CKT #	LOAD DESCRIPTION	AT	P	CA	DF	DA
1		20	1			0	2		20	1			0
3		20	1			0	4		20	1			0
5		20	1			0	6		20	1			0
7		20	1			0	8		20	1			0
9		20	1			0	10		20	1			0
11		20	1			0	12		20	1			0
13		20	1			0	14		20	1			0
15		20	1			0	16		20	1			0
17		20	1			0	18		20	1			0
19		20	1			0	20		20	1			0
21		20	1			0	22		20	1			0
23		20	1			0	24		20	1			0
25		20	1			0	26		20	1			0
27		20	1			0	28		20	1			0
29		20	1			0	30		20	1			0
31		20	1			0	32		20	1			0
33		20	1			0	34		20	1			0
35		20	1			0	36		20	1			0
37		20	1			0	38		20	1			0
39		20	1			0	40		20	1			0
41		20	1			0	42		20	1			0

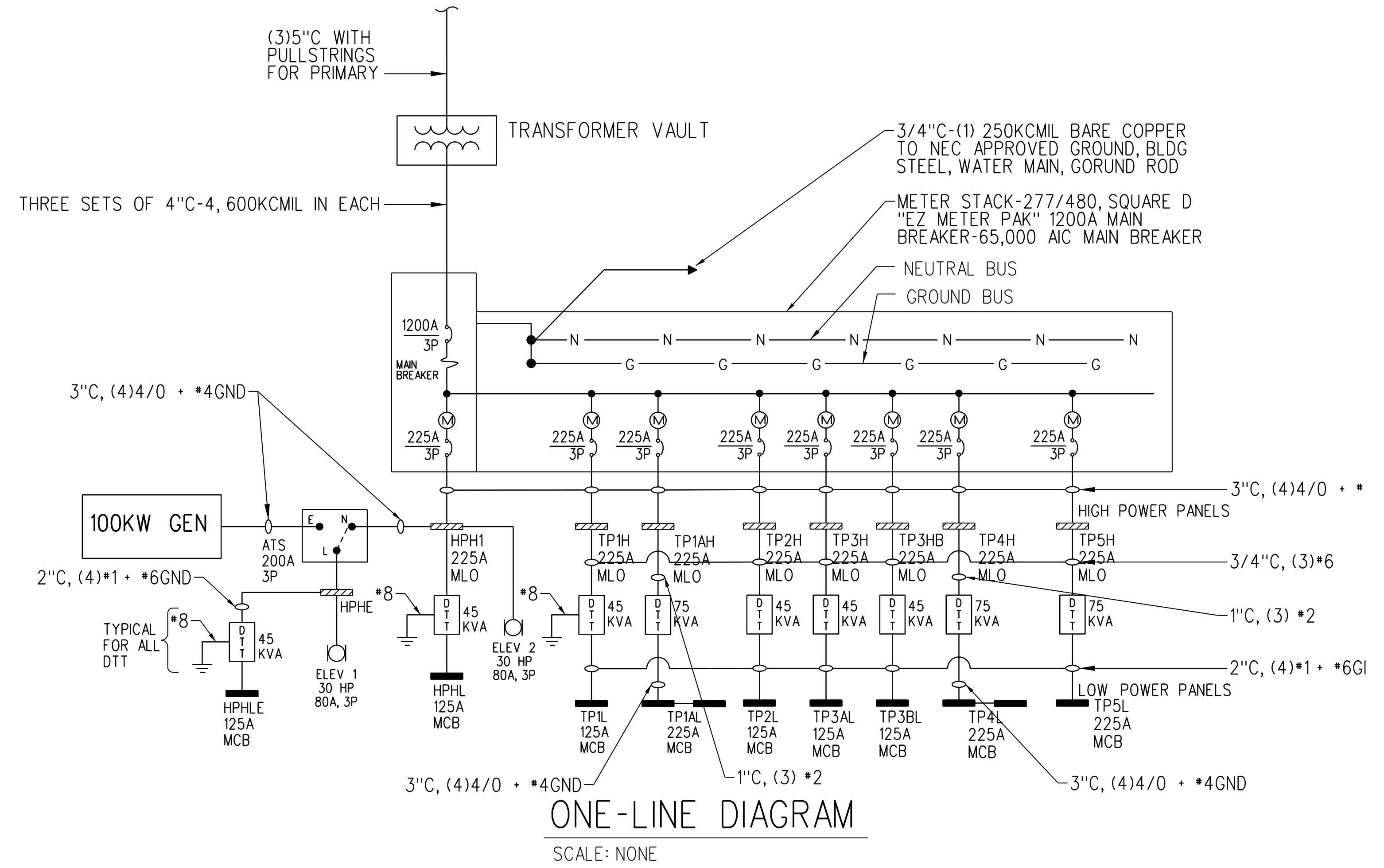
ALL LOADS TO 480V PANEL VIA DTT

AT - Amp Trip
P - Poles
A - Amps
CA - Connected Amps
DF - Demand Factor (1 - .1)
DA - Demand Amps
MLO - Main Lug Only
MCB - Main Circuit Breaker

PROVIDE FEED THRU LUGS TO SECTION 2

PANEL TP1AL (BENKAY REST WALL) SECTION 2 120/208 3PH 4W 225 AMP BUS - MLO 42K AIC NEMA TYPE 1 (RECESSED)													
CKT #	LOAD DESCRIPTION	AT	P	CA	DF	DA	CKT #	LOAD DESCRIPTION	AT	P	CA	DF	DA
43		20	1			0	44		20	1			0
45		20	1			0	46		20	1			0
47		20	1			0	48		20	1			0
49		20	1			0	50		20	1			0
51		20	1			0	52		20	1			0
53		20	1			0	54		20	1			0
55		20	1			0	56		20	1			0
57		20	1			0	58		20	1			0
59		20	1			0	60		20	1			0
61		20	1			0	62		20	1			0
63		20	1			0	64		20	1			0
65		20	1			0	66		20	1			0
67		20	1			0	68		20	1			0
69		20	1			0	70		20	1			0
71		20	1			0	72		20	1			0
73		20	1			0	74		20	1			0
75		20	1			0	76		20	1			0
77		20	1			0	78		20	1			0
79		20	1			0	80		20	1			0
81		20	1			0	82		20	1			0
83		20	1			0	84		20	1			0

PANELS PROVIDED BY BUILDING SHELL CONTRACTOR



PROGRESS PRINT
NOT FOR CONSTRUCTION

Prepared For: **Archetype**

Union Wharf
Portland, ME 04101

Consultant: **BENNETT ENGINEERING**
MECHANICAL - ELECTRICAL
(207) 865-9475

Architect: **ARCHETYPE architects**
48 Union Wharf Portland, Maine 04101
(207) 772-0023 ARCHETYPE@ARCHETYPEPA.COM

Project: **16 MIDDLE STREET OFFICE BUILDING**

MIDDLE STREET
PORTLAND, MAINE

Revisions:

Scale: 1/8" = 1'-0" U.N.O.

Date: 13 APR 2017

BENKAY RESTAURANT:
PANEL SCHEDULES &
ONE-LINE DIAGRAM

E3.02