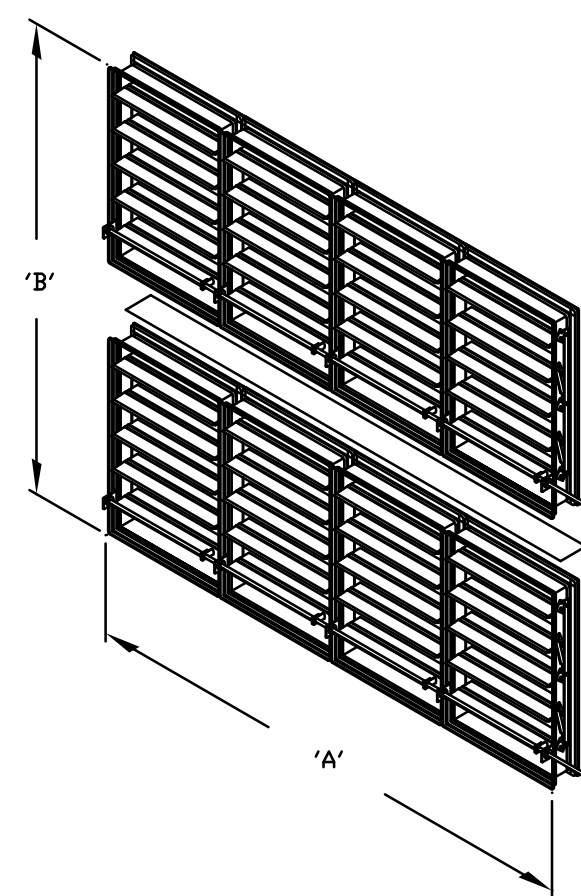


MAX UL CLASSIFIED SIZE
FSD60 DB, 60-IIDB, 37DB, 36DB, 35DB, 34DB

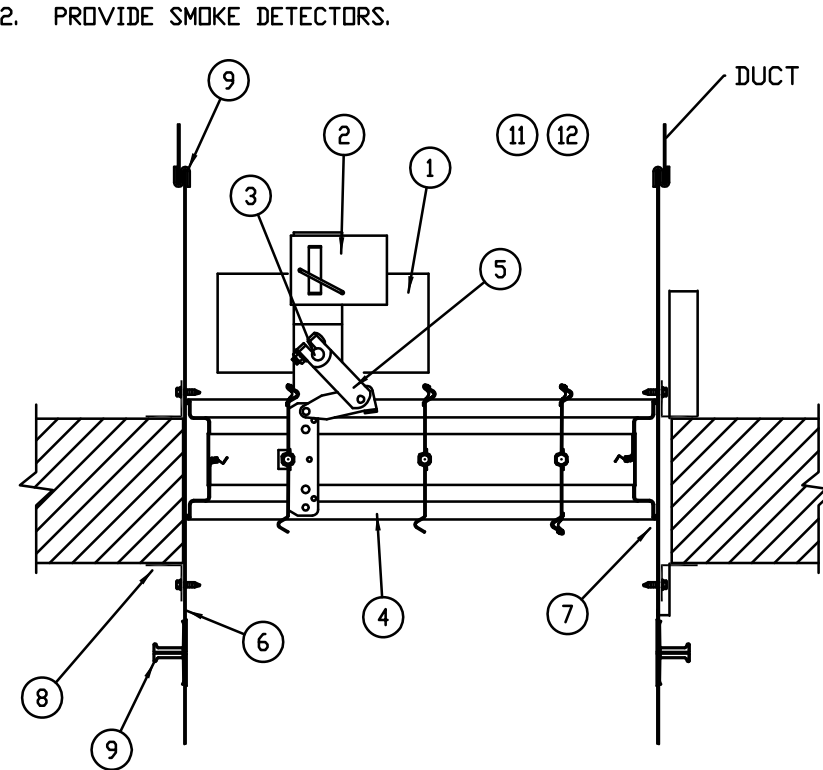


WA = 126" (3200)
FDR FSD36DB
WA = 120" (3048)
FDR FSD34DB, 35DB,
37DB, 60 DB, 60-IIDB

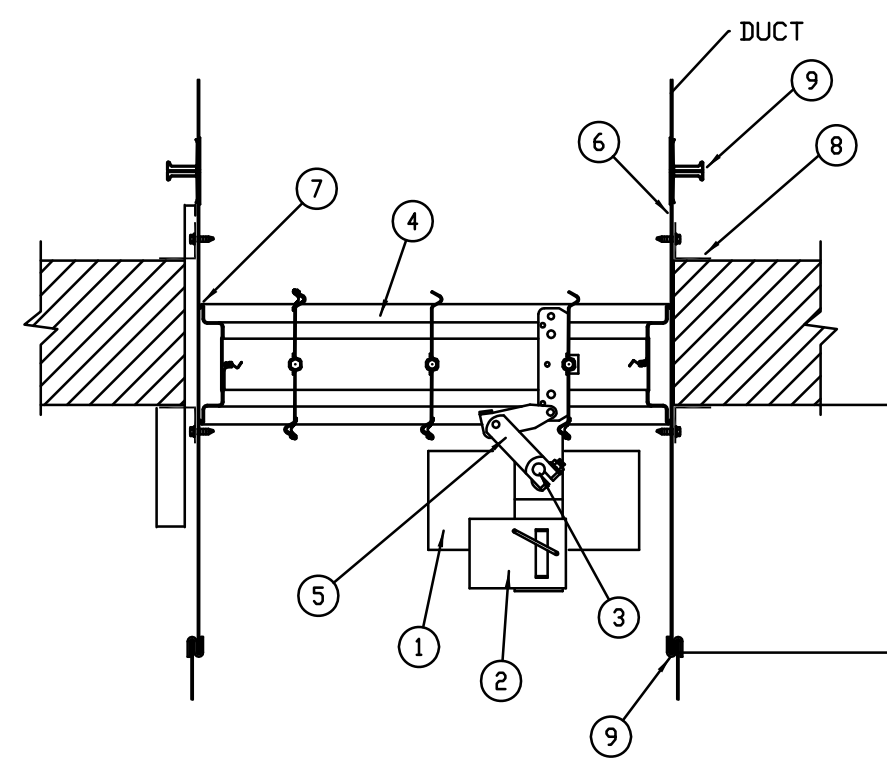
BA = 122" (3099)
FDR FSD36DB
BA = 98" (2489) FDR
FSD60DB, 60-IIDB
BA = 96" (2438) FDR
FSD34DB, 35DB, 37DB

14 GAGE (2) X
DAMPER
1/4" THICKNESS X 5"
(127) WIDE
REINFORCING PLATE

- | ITEM | DESCRIPTION |
|------|--|
| 1. | ACTUATOR w/ END SWITCH (LOCATION MAY VARY).
RUSKIN'S UL LISTED FIRE DAMPER, OR GREENHECK.
ACTUATORS MAY BE FIELD INSTALLED IF PROPERLY LABELED. SEE
ACTUATOR INSTALLATION INSTRUCTIONS FOR FIELD MOUNTING OF
DAMPER ACTUATORS. |
| 2. | FIRESTAT DR SP100 |
| 3. | AUXILIARY OPERATING JACK SHAFT |
| 4. | FIRE / SMOKE DAMPER |
| 5. | DIVER CENTER LOCK |
| 6. | SLEEVE |
| 7. | CAULKING MATERIAL
(MAY BE ON EITHER SIDE OF DAMPER FRAME) |
| 8. | PFMA OR CONVENTIONAL MOUNTING ANGLES |
| 9. | S-JOINT/DUCT MATE, SLEEVE TO DUCT |
| 10. | RUSKIN MODEL NUMBERS LISTED. APPROVED EQUAL PRODUCTS FROM GREENHECK ARE ACCEPTABLE. |
| 11. | PROVIDE ACCESS DOORS AS REQUIRED. |
| 12. | PROVIDE SMOKE DETECTORS. |

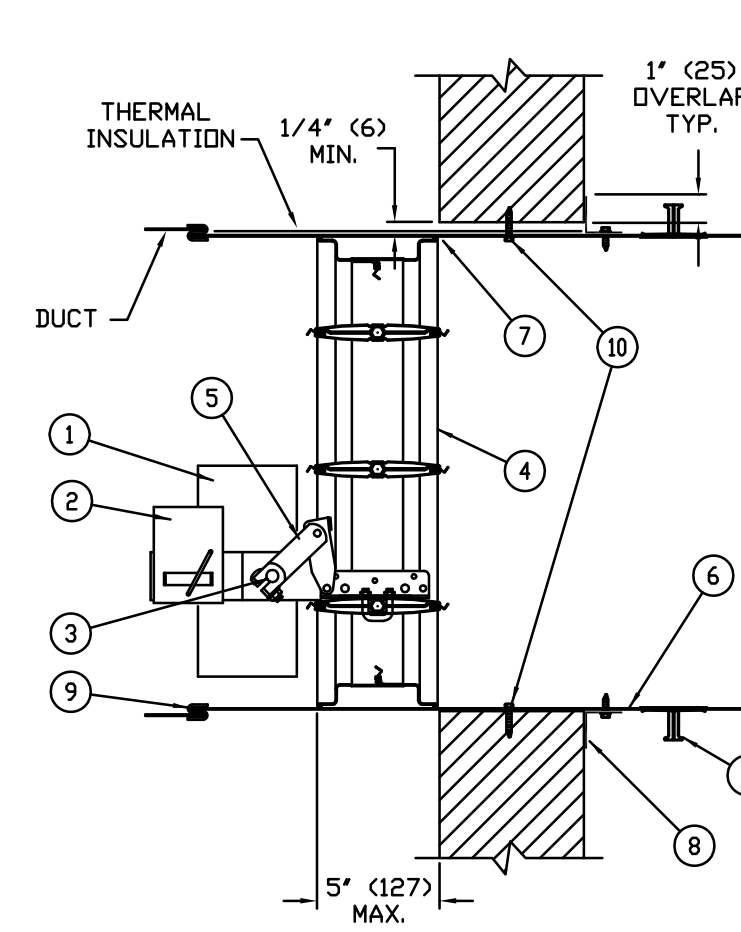


ACTUATOR ABOVE DAMPER



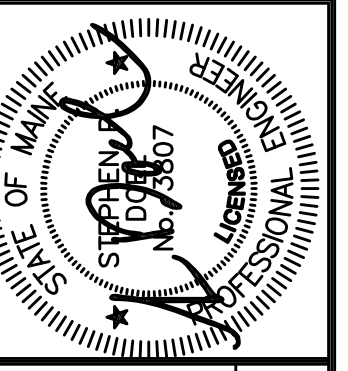
ACTUATOR BELOW DAMPER

FSD60 OUT OF WALL INSTALLATION



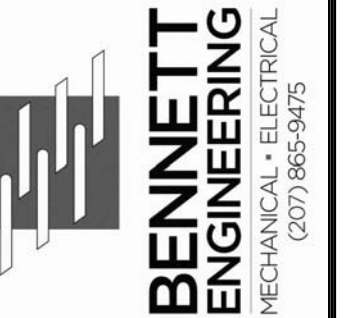
COMBINATION FD / SD INSTALLATION DETAIL

NTS

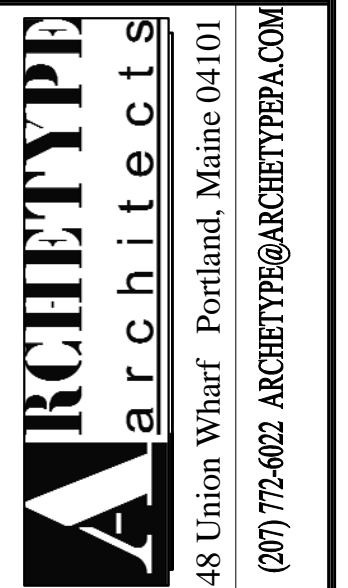


Prepared For: **Archetype**

Union Wharf
Portland, ME 04101



Consultant:



Project: **16 MIDDLE STREET
OFFICE BUILDING**

MIDDLE STREET
PORTLAND, MAINE

Revisions: 02/20/2017: CD ISSUE

Date: **20 FEB 2017**
Scale: **1/8"=1'-0" U.N.O.**
Tilson Technologies
PLUMBING 4th FLOOR PLAN

M1.04