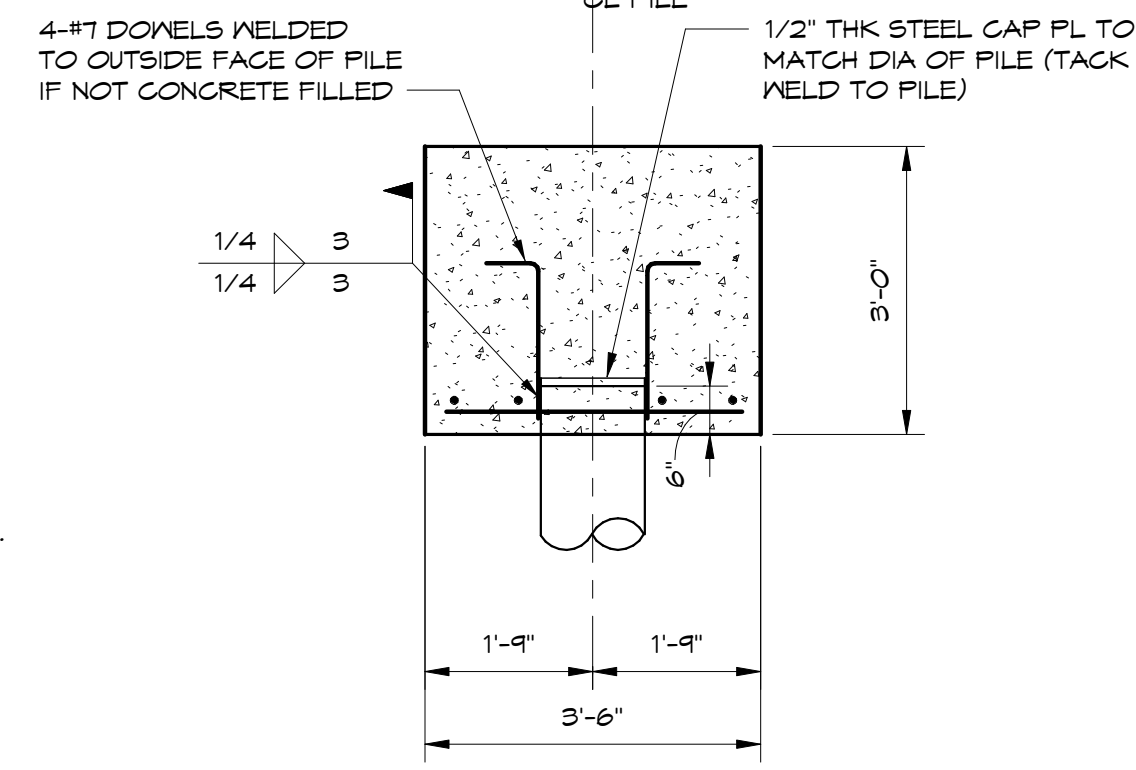
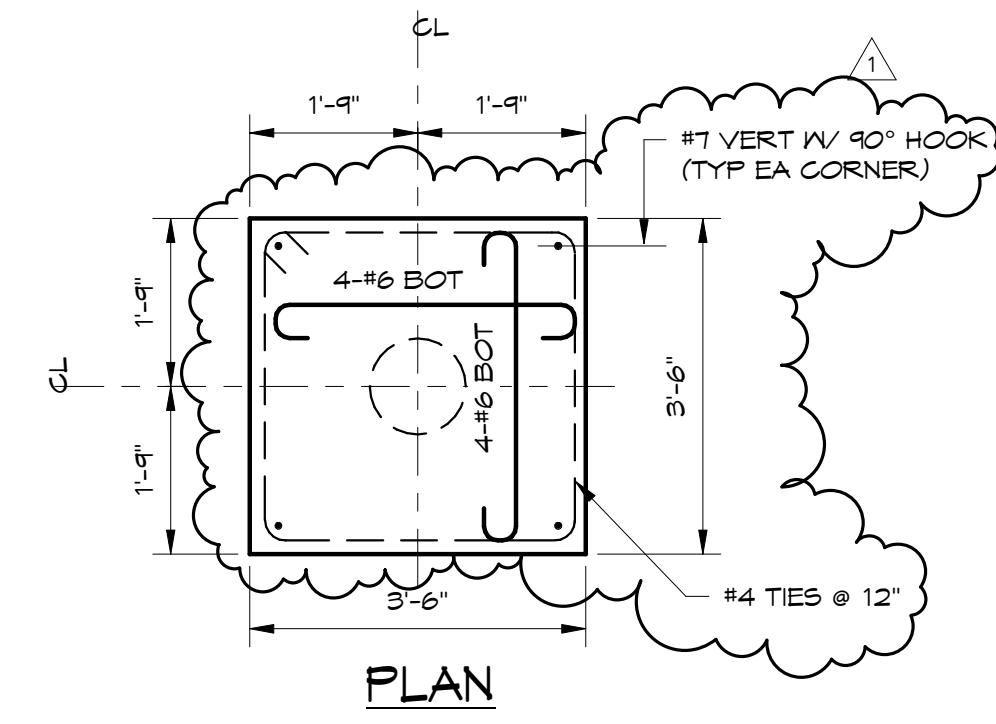
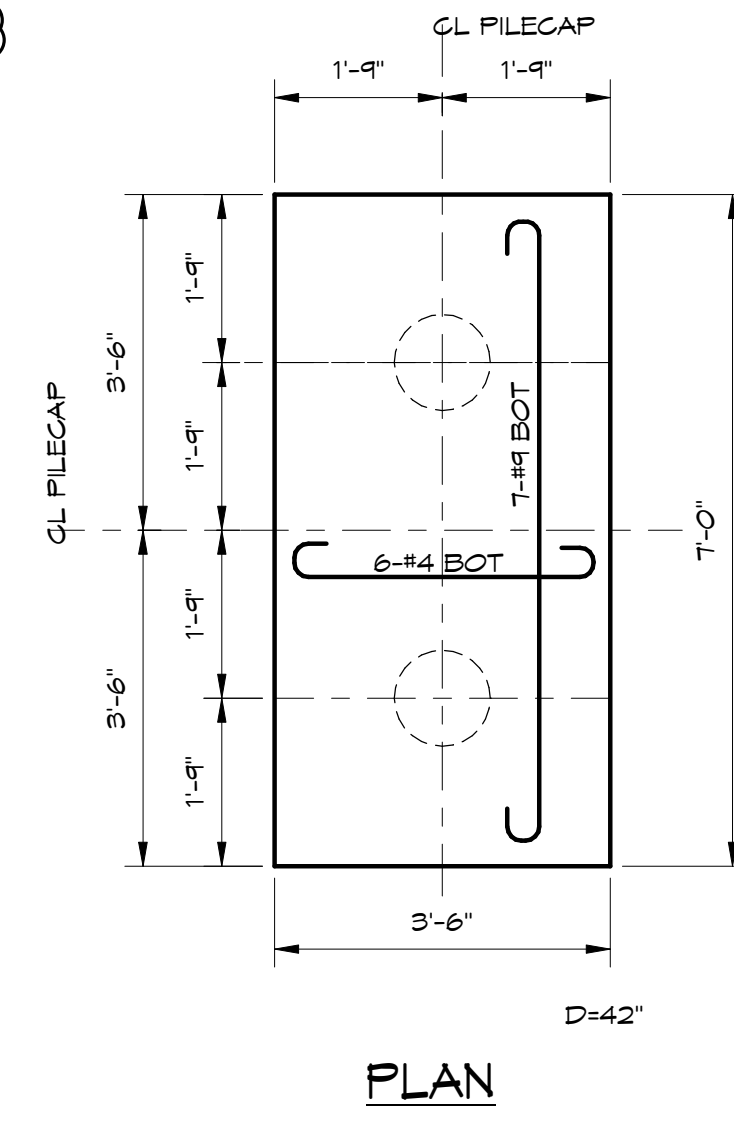


NOTE:
1. CONTRACTOR SHALL SUBMIT PROPOSED LOCATIONS OF CONSTRUCTION JOINTS TO THE STRUCTURAL ENGINEER FOR APPROVAL.

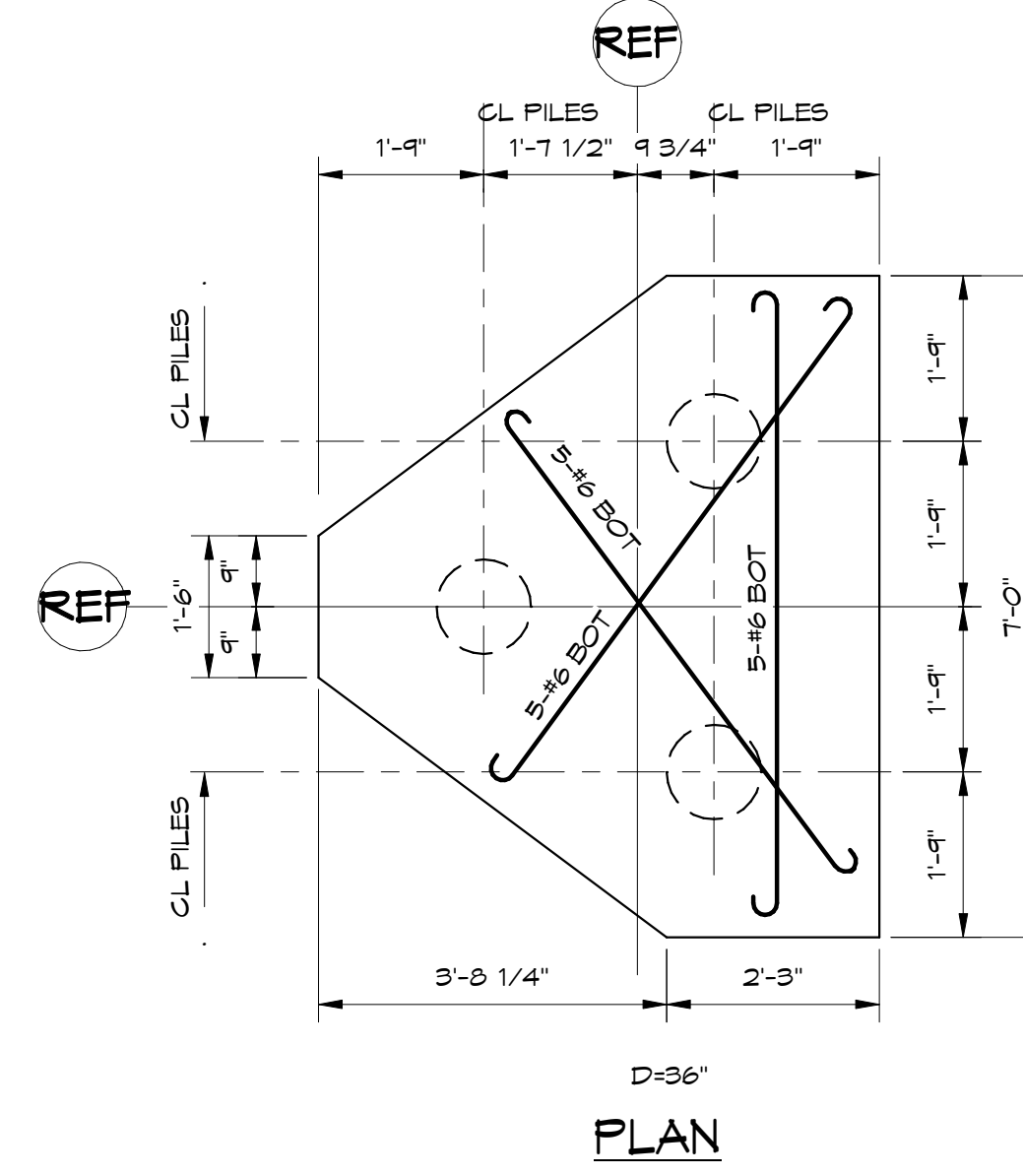
1 TYPICAL CONCRETE BEAM CONSTRUCTION JOINT
1/2" = 1'-0"



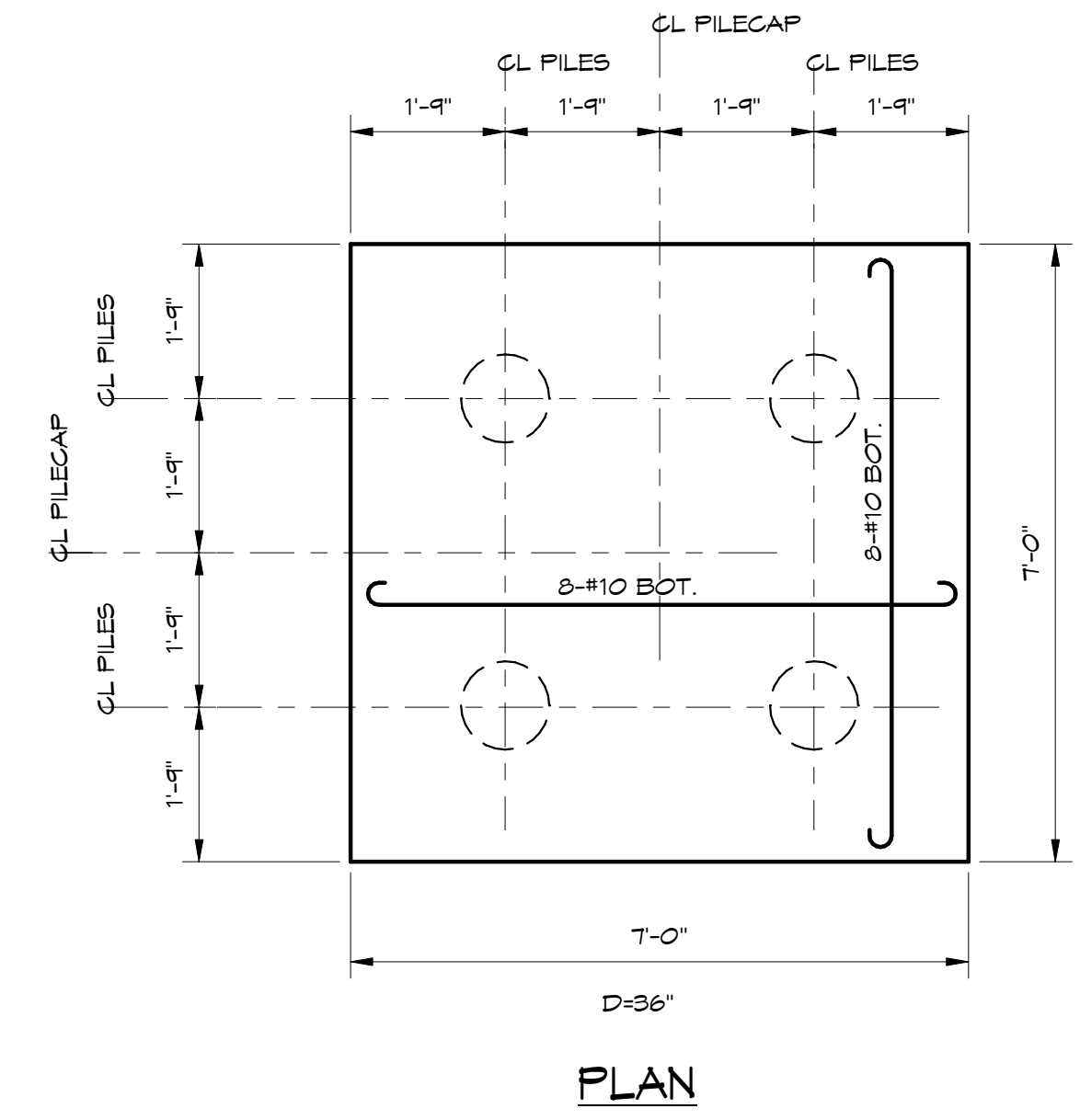
2 PILE CAP - PC1
1/2" = 1'-0"



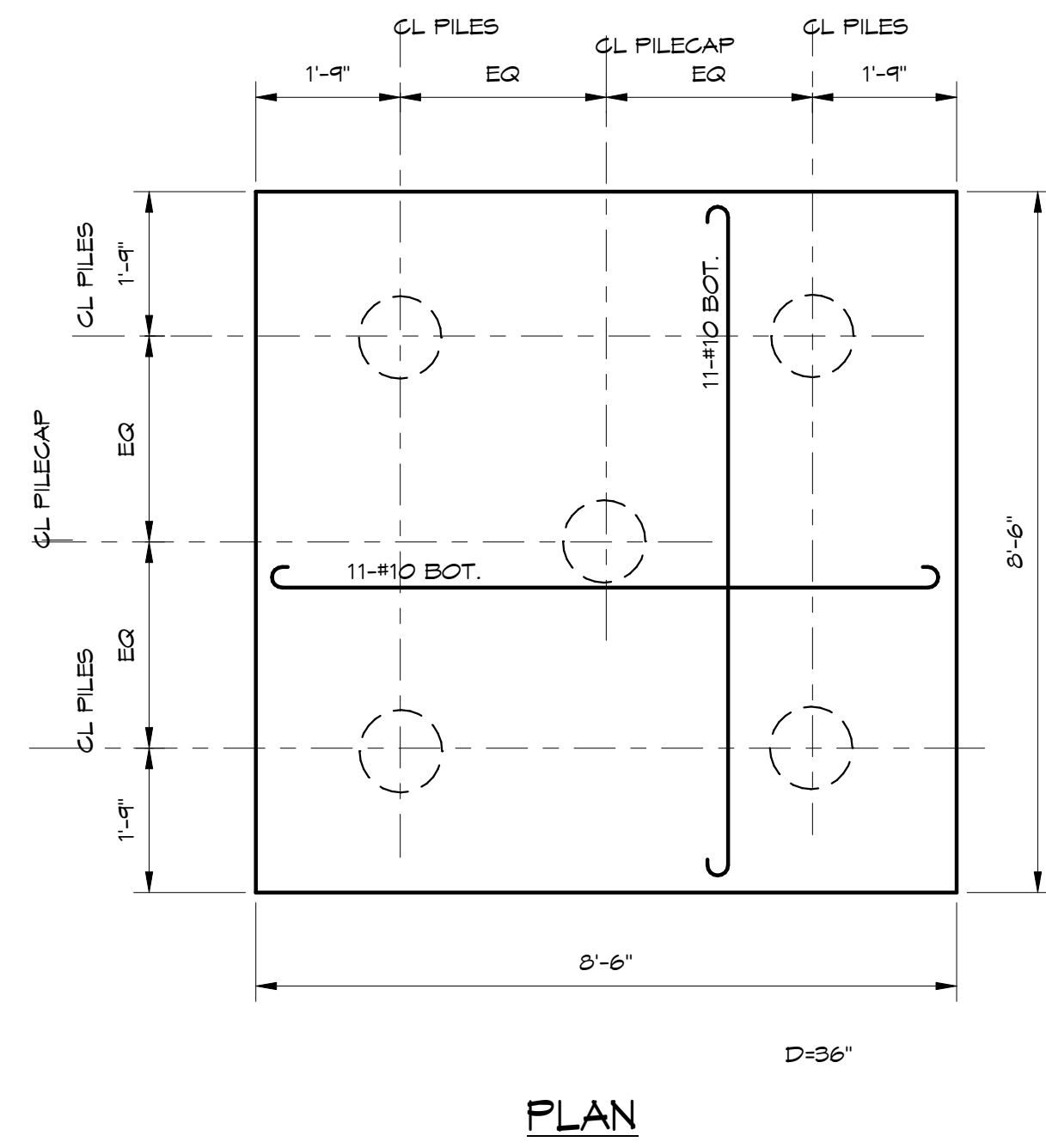
3 PILE CAP - PC2
1/2" = 1'-0"



4 PILE CAP - PC3
1/2" = 1'-0"



5 PILE CAP - PC4
1/2" = 1'-0"



6 PILE CAP - PC5
1/2" = 1'-0"

STATE OF MAINE
RIMANTAS M. VEITAS
No. 9477
LICENSED PROFESSIONAL ENGINEER

Prepared For: **BATEMAN PARTNERS, LLC**
P.O. BOX 7486
Portland, ME 04112

Consulting Engineer: **VEITAS & VEITAS engineers**
638 Granite Street, Suite 101
Business, Scarborough, ME 04149
TEL: (207) 772-2800 FAX: (207) 772-2805

Architect: **ARCHETYPE architects**
48 Union Wharf Portland, Maine 04101
(207) 772-6022 Fax (207) 772-4056

Project: **16 MIDDLE STREET**
MIDDLE STREET
PORTLAND, MAINE

Revisions:

01/15/16	ISSUED FOR FDN. PERMIT
06/03/16	ISSUED FOR BUILDING PERMIT
06/14/16	ISSUED FOR CONSTRUCTION
07/11/16	ISSUED FOR ADDENDUM #1

Date: 01/15/16
Scale: **TYPICAL DETAILS**

S2.04