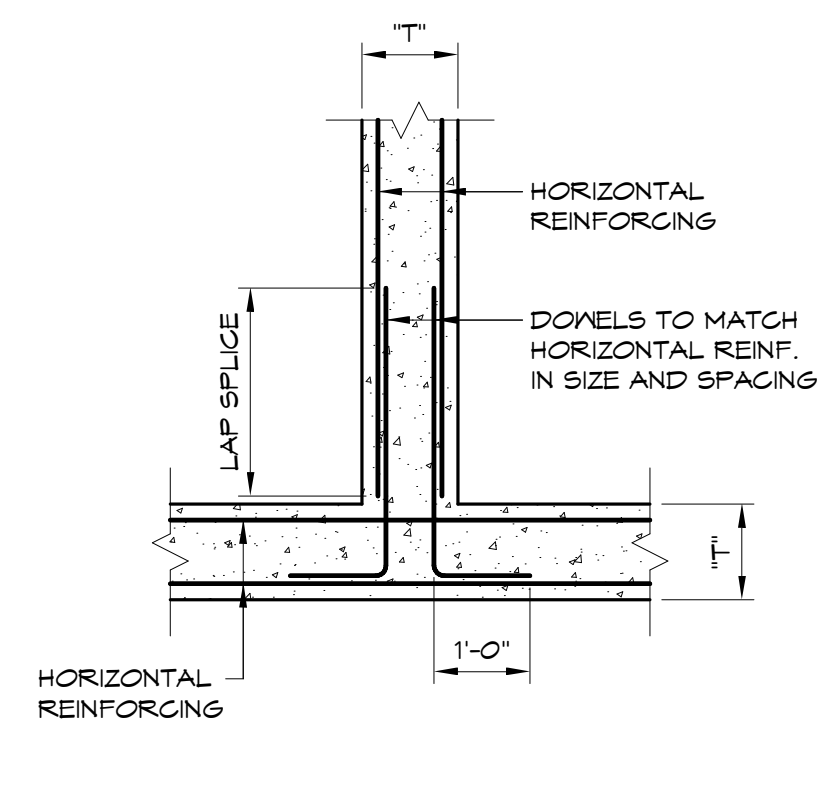
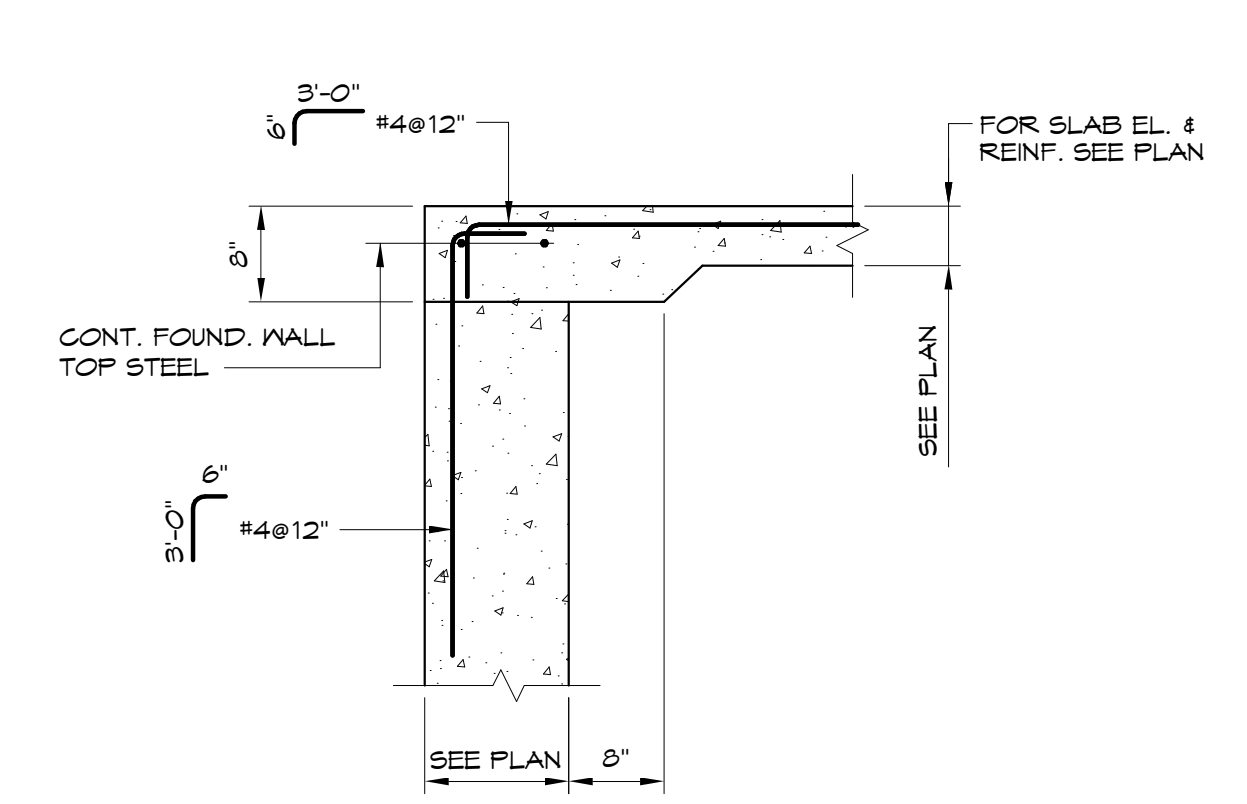


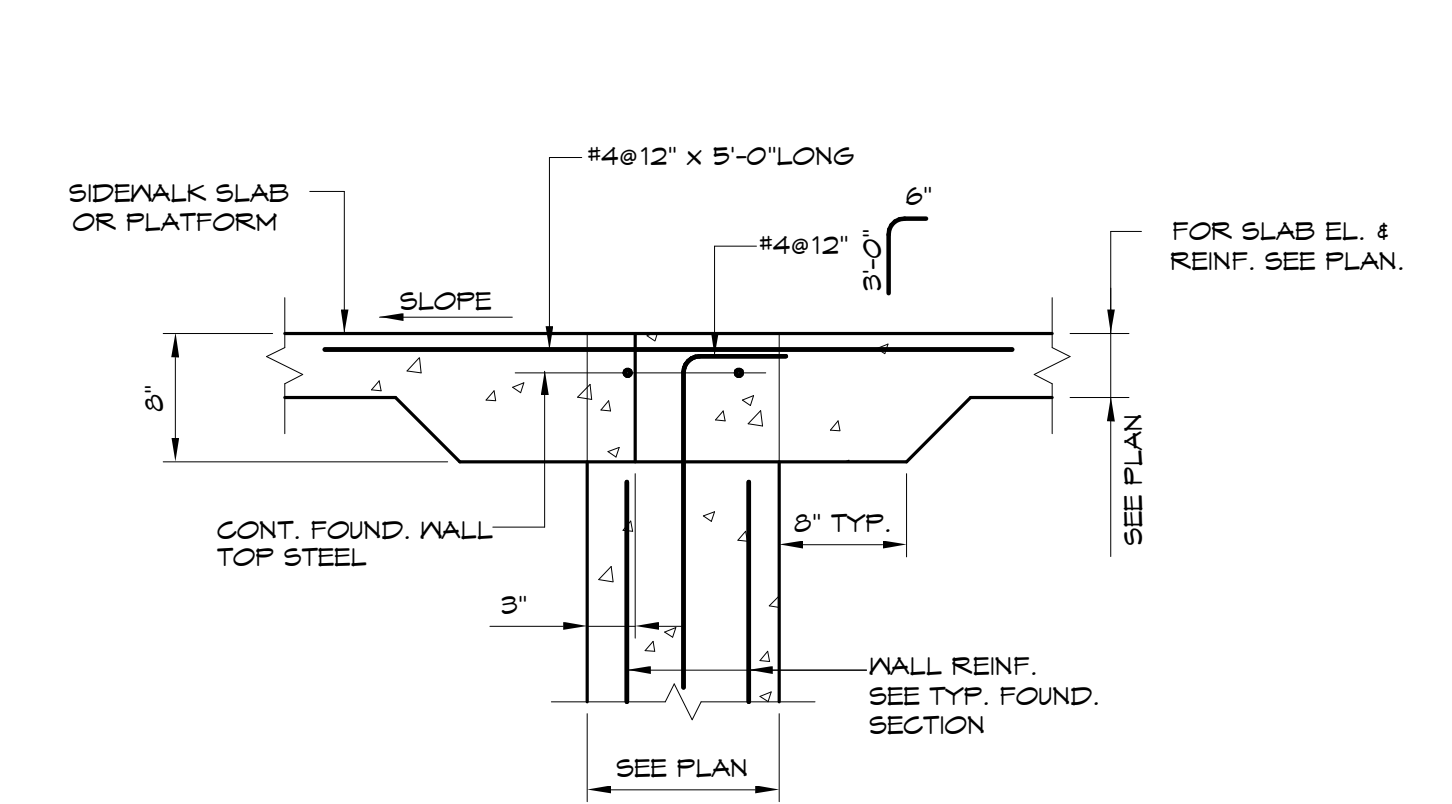
A HORIZONTAL REINFORCING OF CONCRETE WALLS
1/2" = 1'-0"



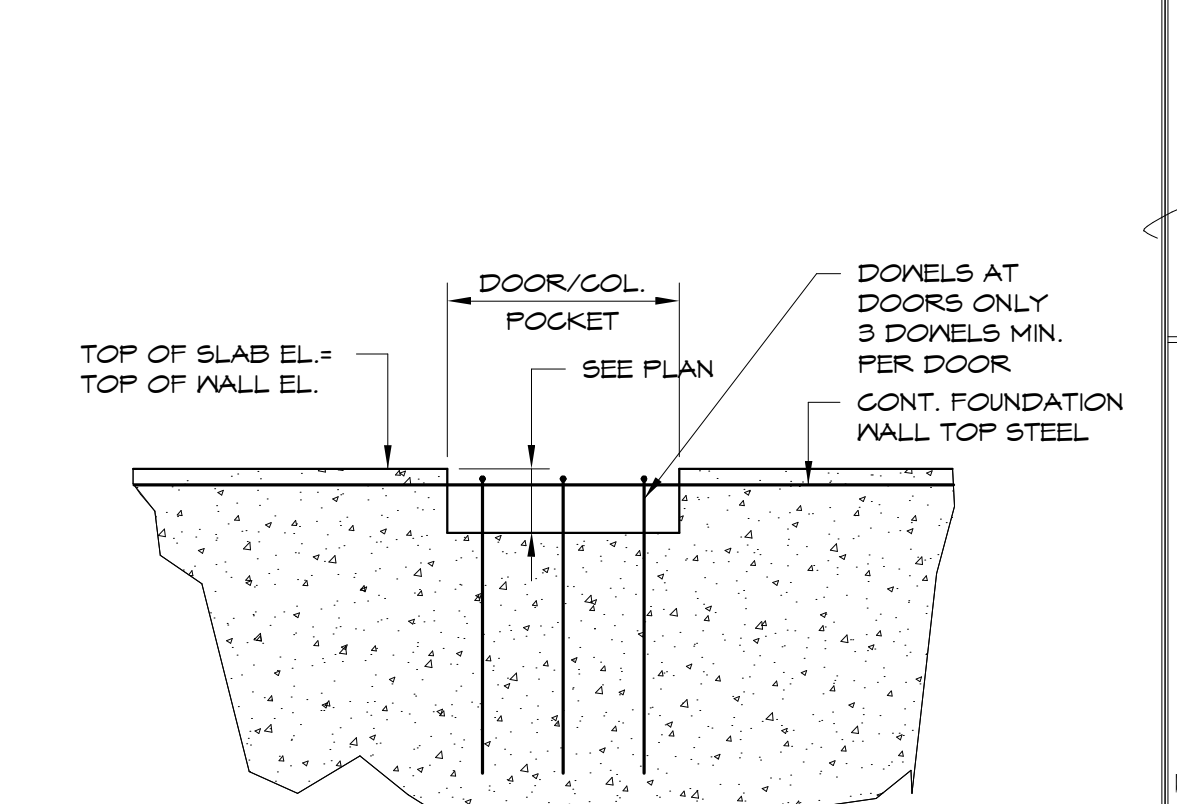
B HORIZONTAL REINFORCING OF CONCRETE WALLS
1/2" = 1'-0"



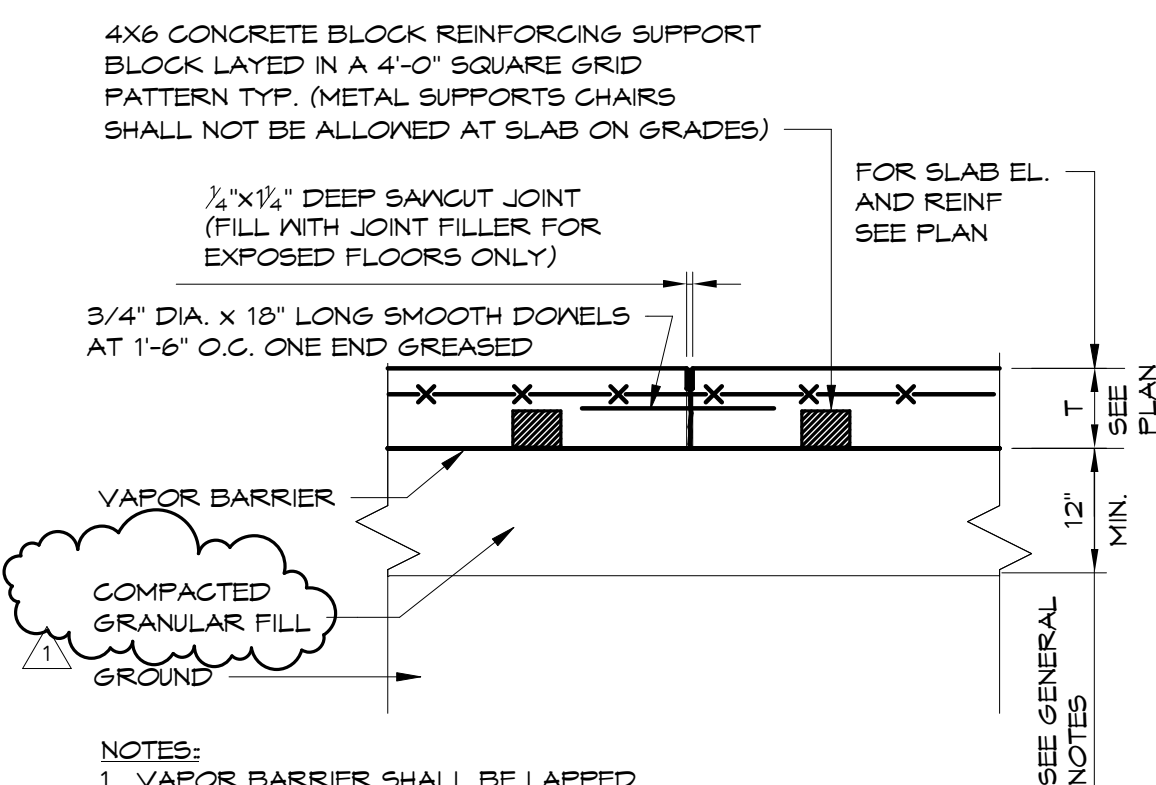
C TYPICAL WALL SECTION AT DOORWAY
3/4" = 1'-0"



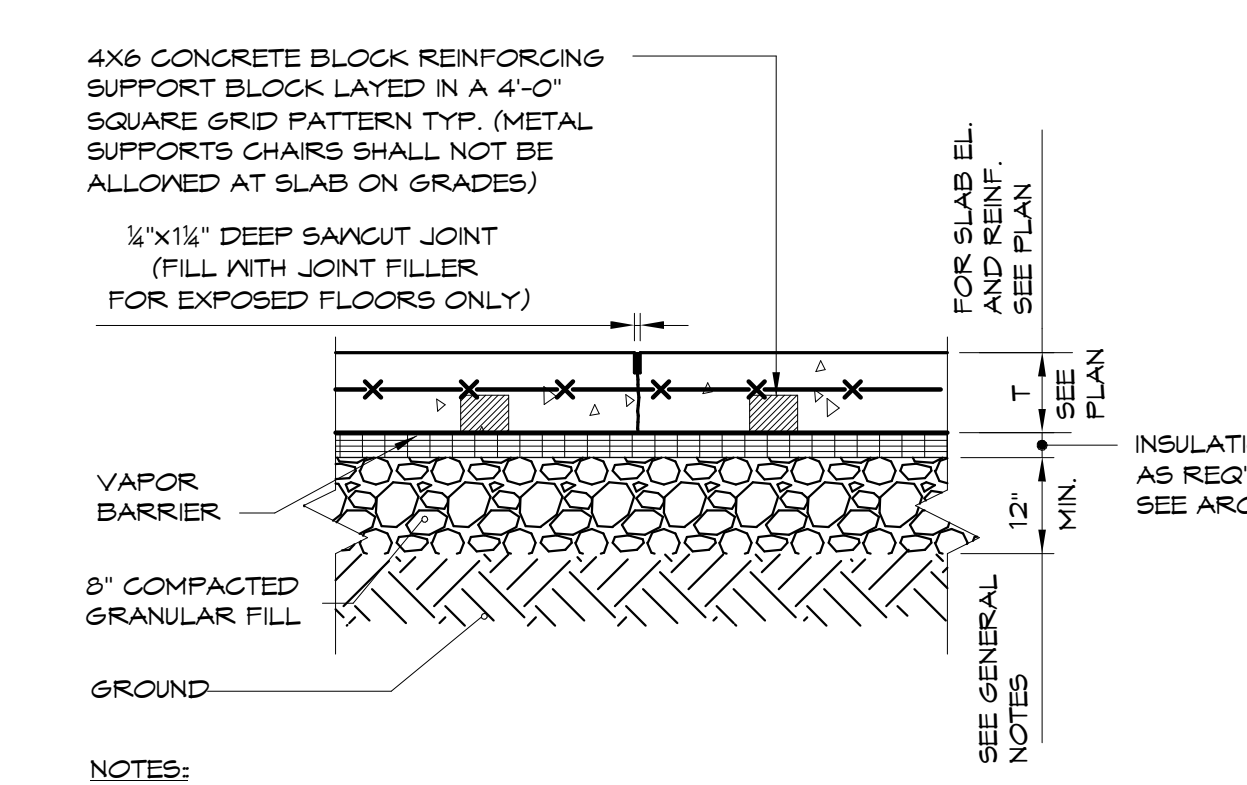
D TYPICAL WALL SECTION AT DOORWAY W/SIDEWALK OR PLATFORM
1" = 1'-0"



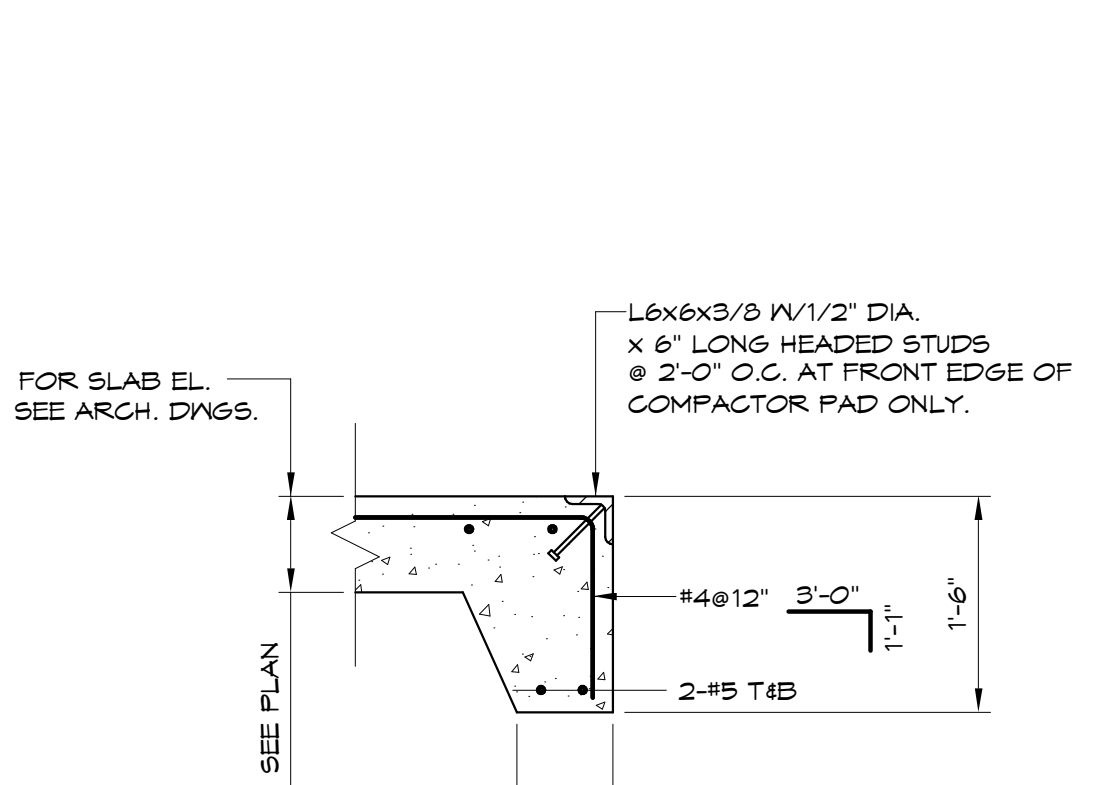
E TYPICAL ELEVATION AT DOORS
NOTE: REFER TO "TYPICAL WALL SECTION AT DOORWAY"
1/2" = 1'-0"



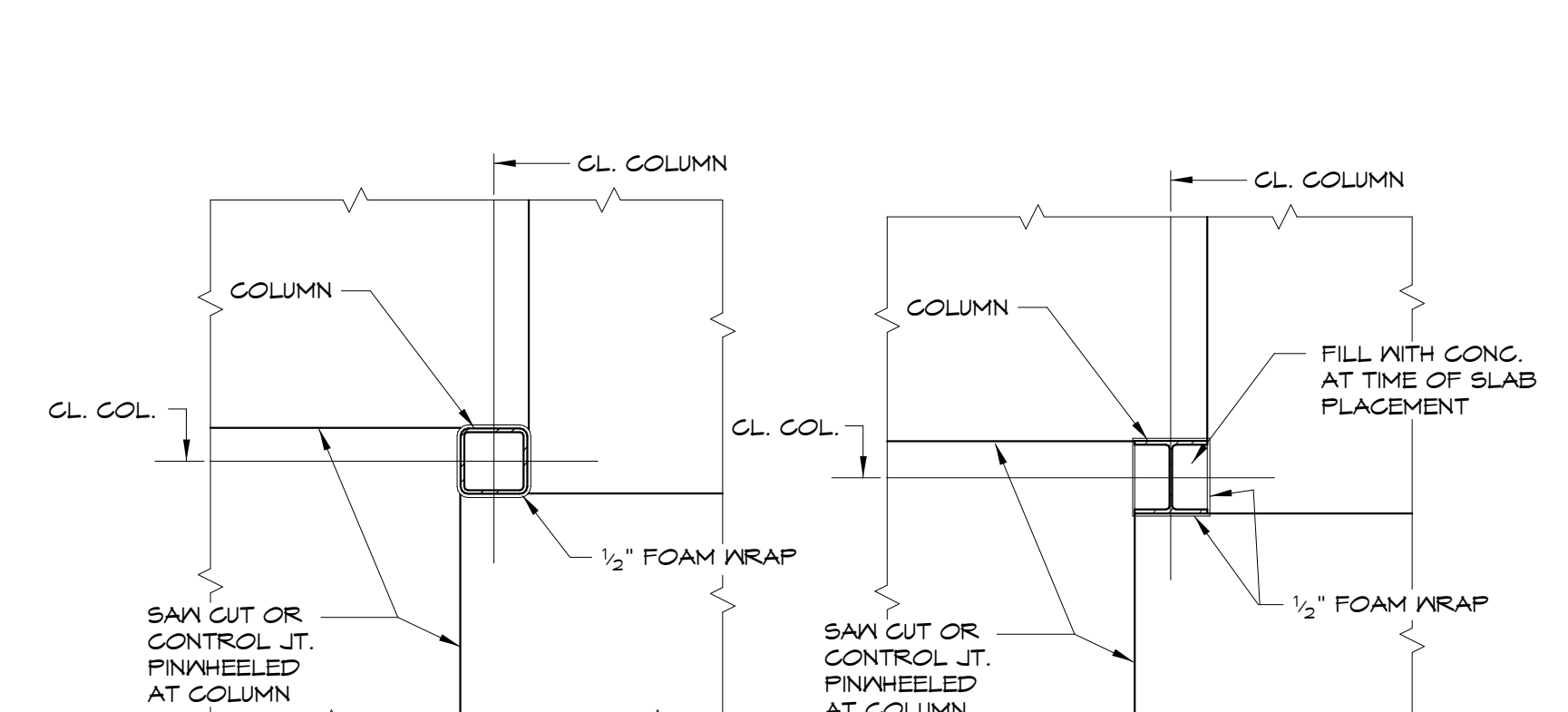
F TYPICAL SLAB ON GRADE CONSTRUCTION JOINT DETAIL
3/4" = 1'-0"



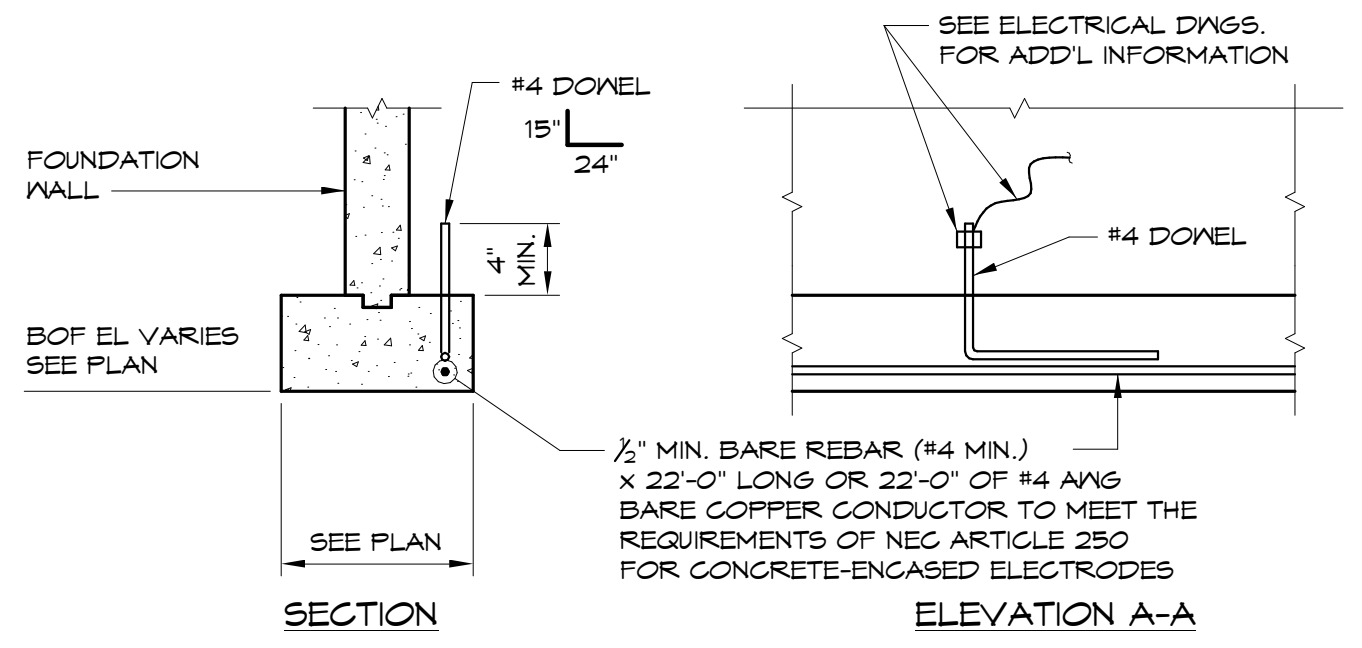
G TYPICAL SAW CUT CONTROL JOINT DETAIL
3/4" = 1'-0"



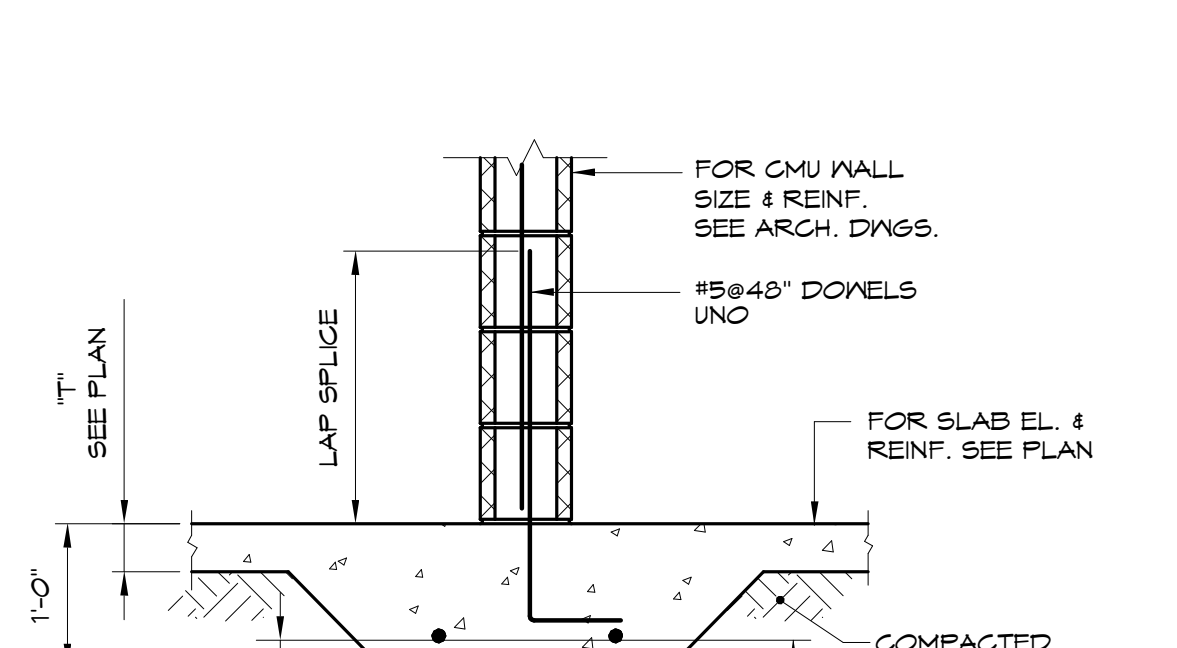
H TYPICAL EXTERIOR PAD EDGE DETAIL
3/4" = 1'-0"



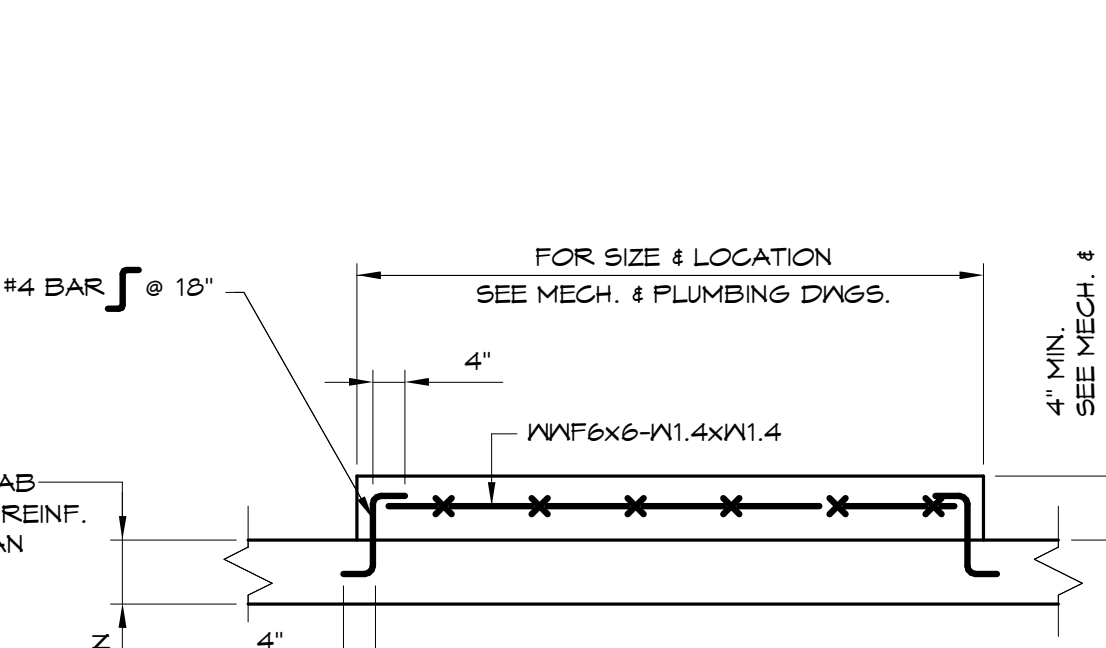
J HSS COLUMN ISOLATION JOINT DETAIL AT COLUMNS
1/2" = 1'-0"



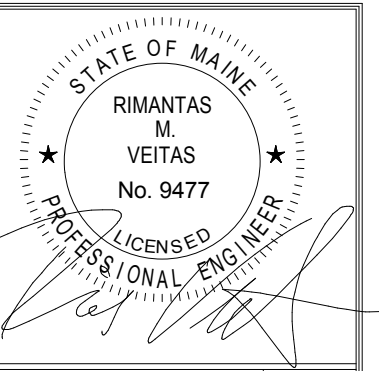
K CONCRETE ENCASED ELECTRODE
1/2" = 1'-0"



L CONTINUOUS FOOTING FOR NON-BEARING WALLS
3/4" = 1'-0"



M TYPICAL MECHANICAL EQUIPMENT PAD
1/2" = 1'-0"



Prepared For:
BATEAM PARTNERS, LLC
P.O. BOX 7486
Portland, ME 04112

Consulting Engineer:
VEITAS VEITAS engineers
68 Granite Street, Suite 101
Business: Manchester, 02814
Tel: (603) 886-7400 Fax: (603) 886-2005

Architect:
ARCHETYPE architects
48 Union Wharf Portland, Maine 04101
(207) 772-6022 Fax (207) 772-4056

Project:
16 MIDDLE STREET
MIDDLE STREET
PORTLAND, MAINE

Revisions:
01/15/16 ISSUED FOR FDN. PERMIT
06/03/16 ISSUED FOR BUILDING PERMIT
06/14/16 ISSUED FOR CONSTRUCTION
07/17/16 ISSUED FOR ADDENDUM #1

Date: 01/15/16
Scale:
TYPICAL DETAILS