



Prepared For:
BATEMAN PARTNERS, LLC
 P.O. BOX 7486
 Portland, ME 04112

Consulting Engineer:
VEITAS VEITAS
 engineers
 68 Granite Street, Suite 1014
 Business, Scarborough, ME 04101
 Tel: (207) 886-7486 Fax: (207) 886-2006

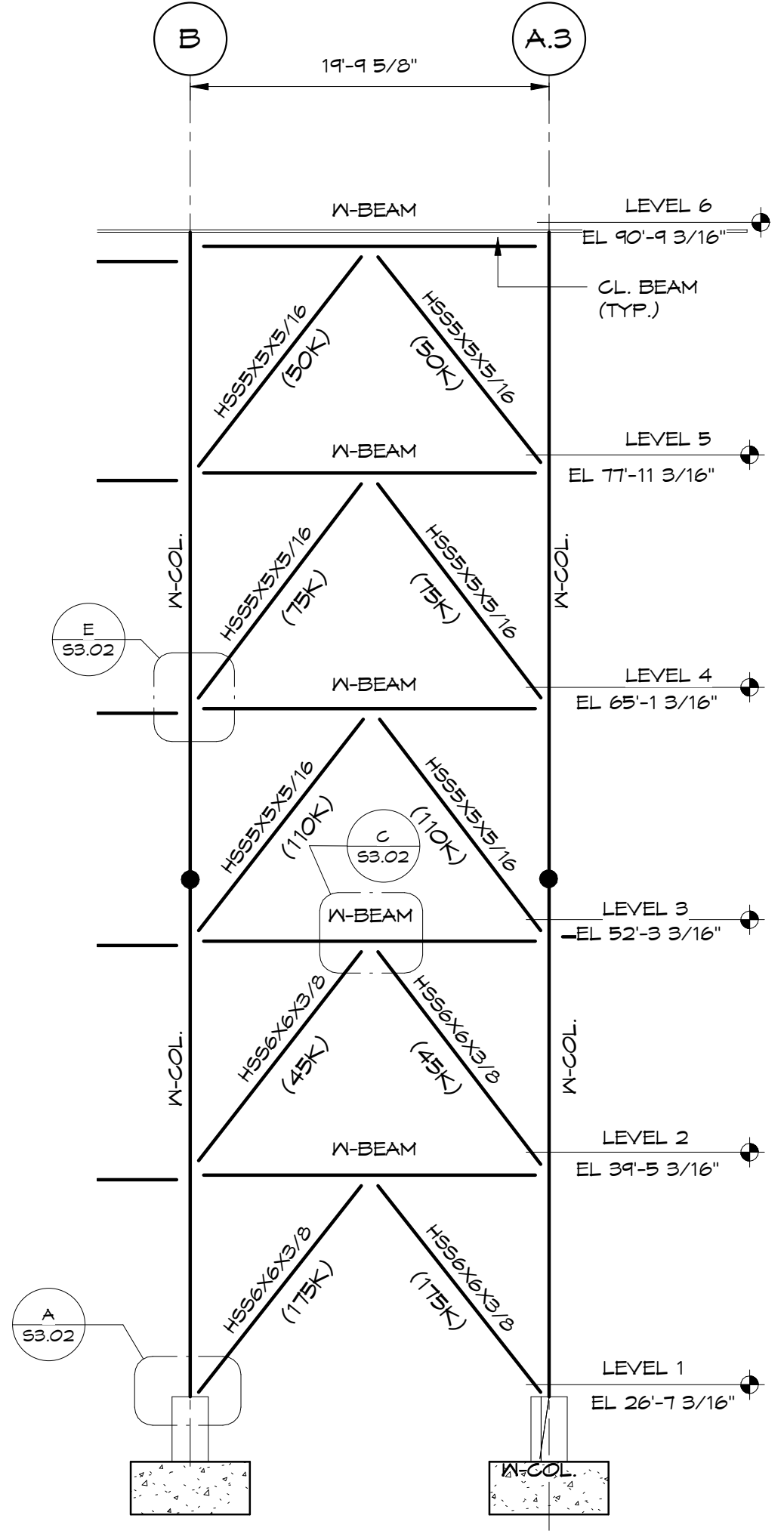
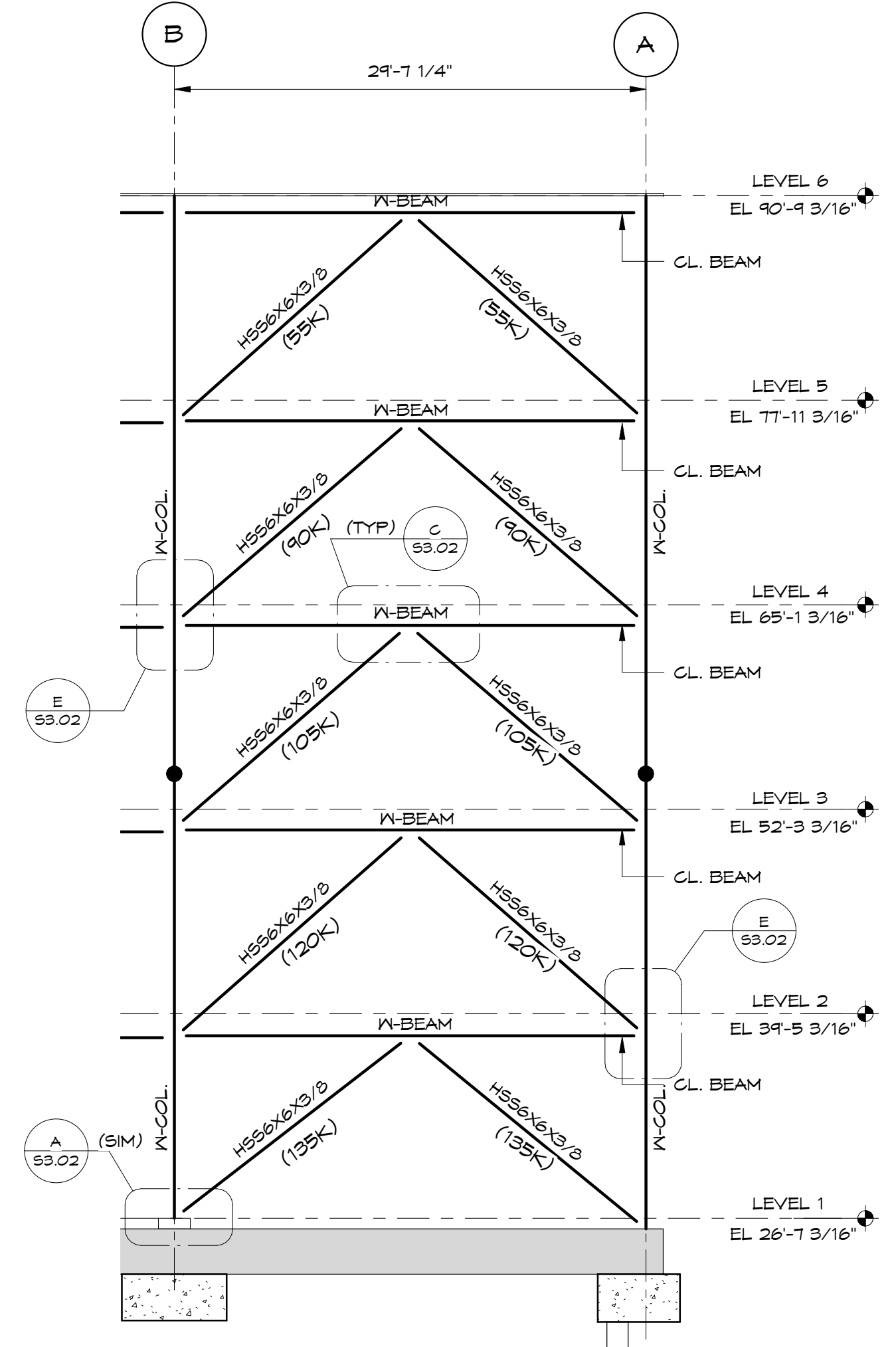
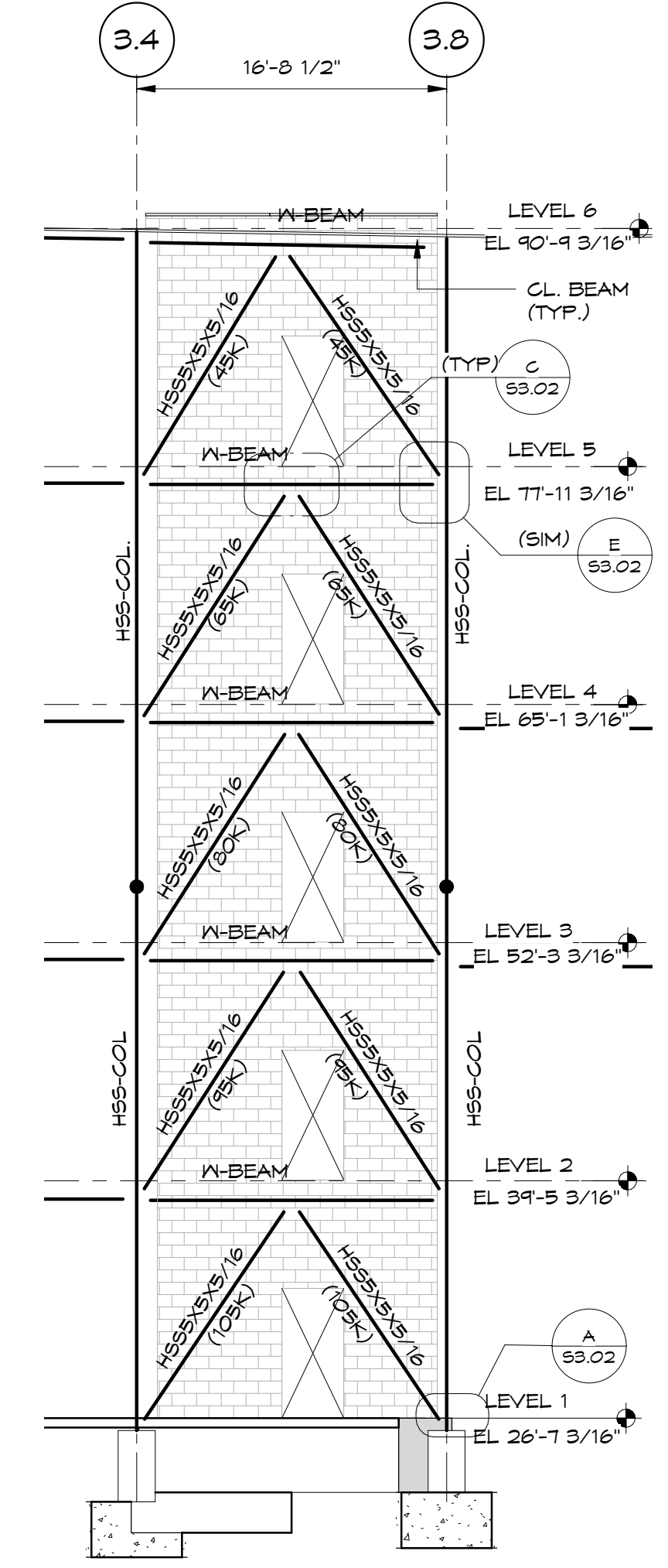
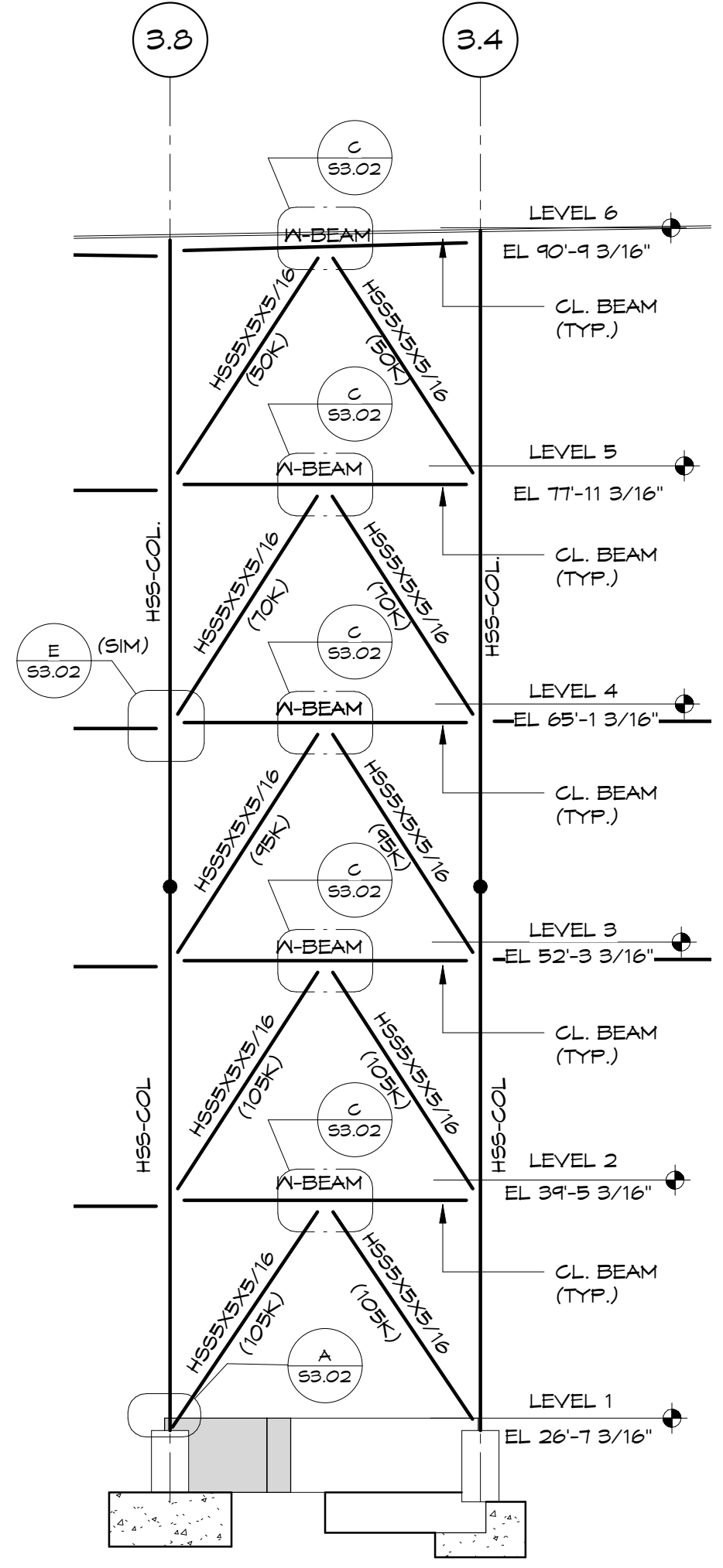
Architect:
ARCHETYPE
 architects
 48 Union Wharf Portland, Maine 04101
 (207) 772-6022 Fax (207) 772-4056

Project:
16 MIDDLE STREET
 MIDDLE STREET
 PORTLAND, MAINE

Revisions:
 01/15/16 ISSUED FOR FDN. PERMIT
 06/03/16 ISSUED FOR BUILDING PERMIT

Date: **01/15/16**
 Scale:
BRACE FRAMING & ELEVATIONS & DETAILS

S3.02

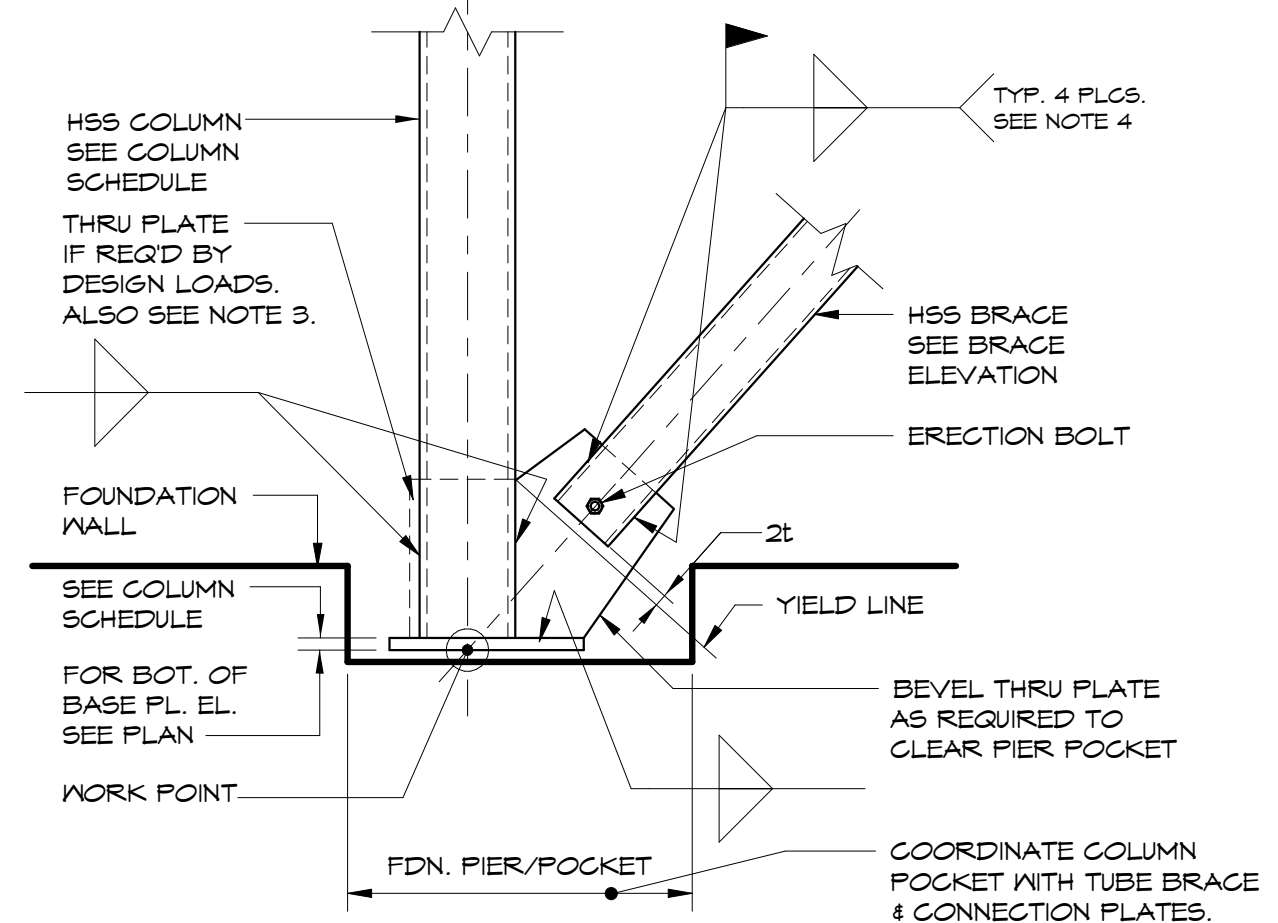


1 BRACE 'A' ALONG GRID LINE 'B'
 1/8" = 1'-0"

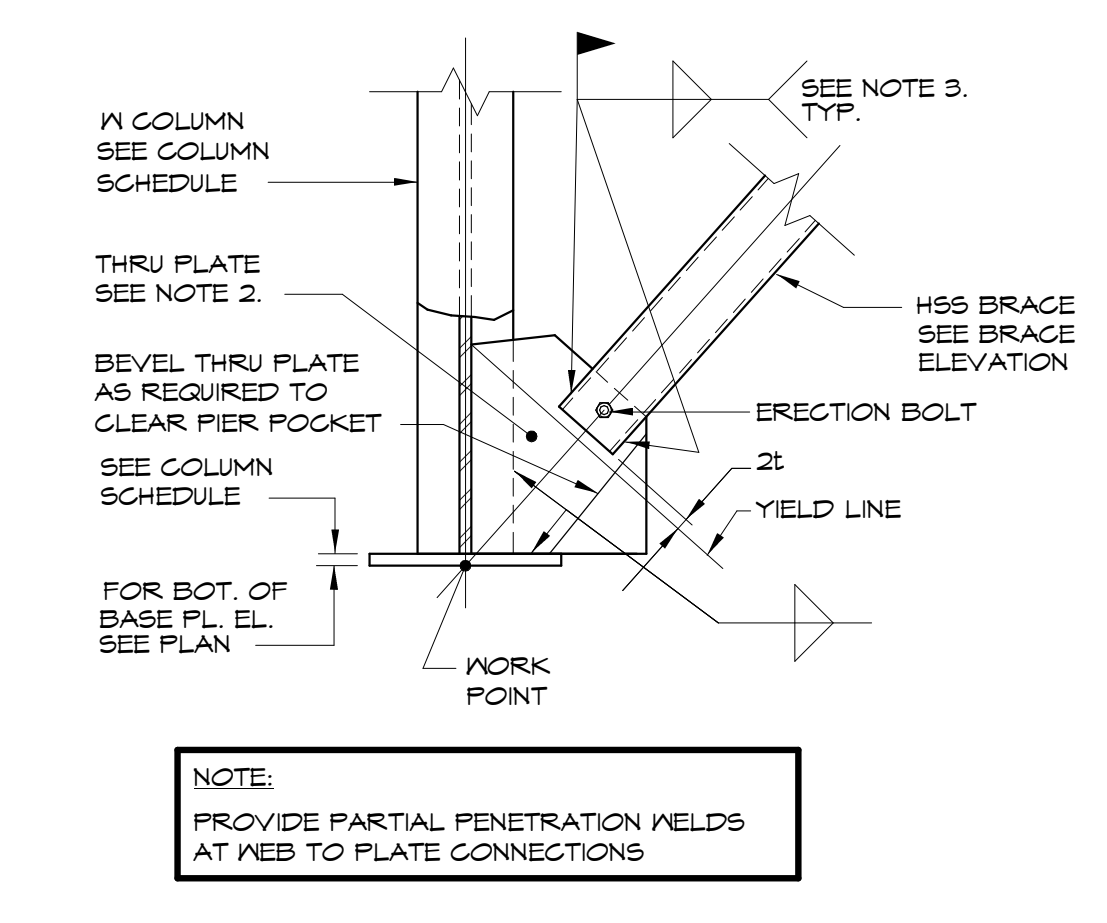
2 BRACE 'B' ALONG GRID LINE 'B.6'
 1/8" = 1'-0"

3 BRACE 'C' ALONG GRID LINE '5'
 1/8" = 1'-0"

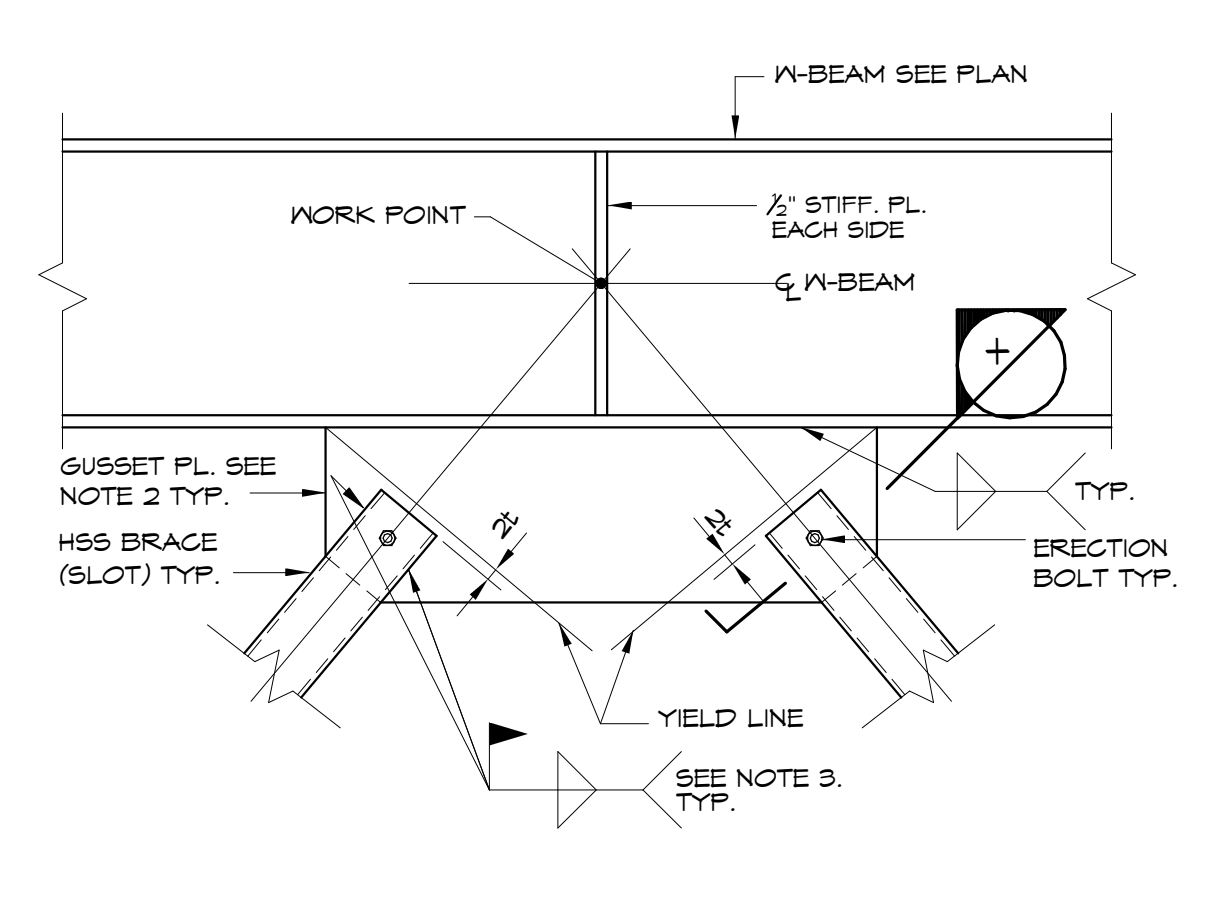
4 BRACE 'D' ALONG GRID LINE '2'
 1/8" = 1'-0"



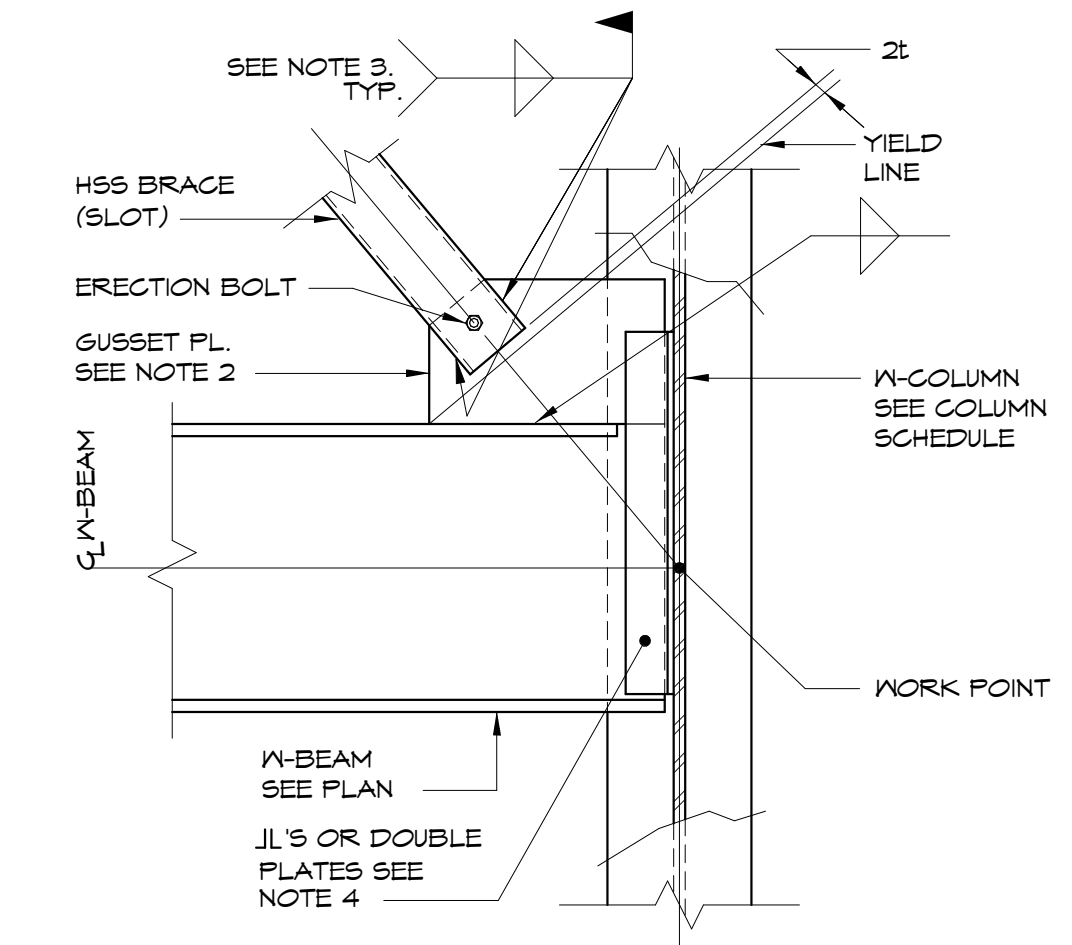
A DETAIL
 3/4" = 1'-0"



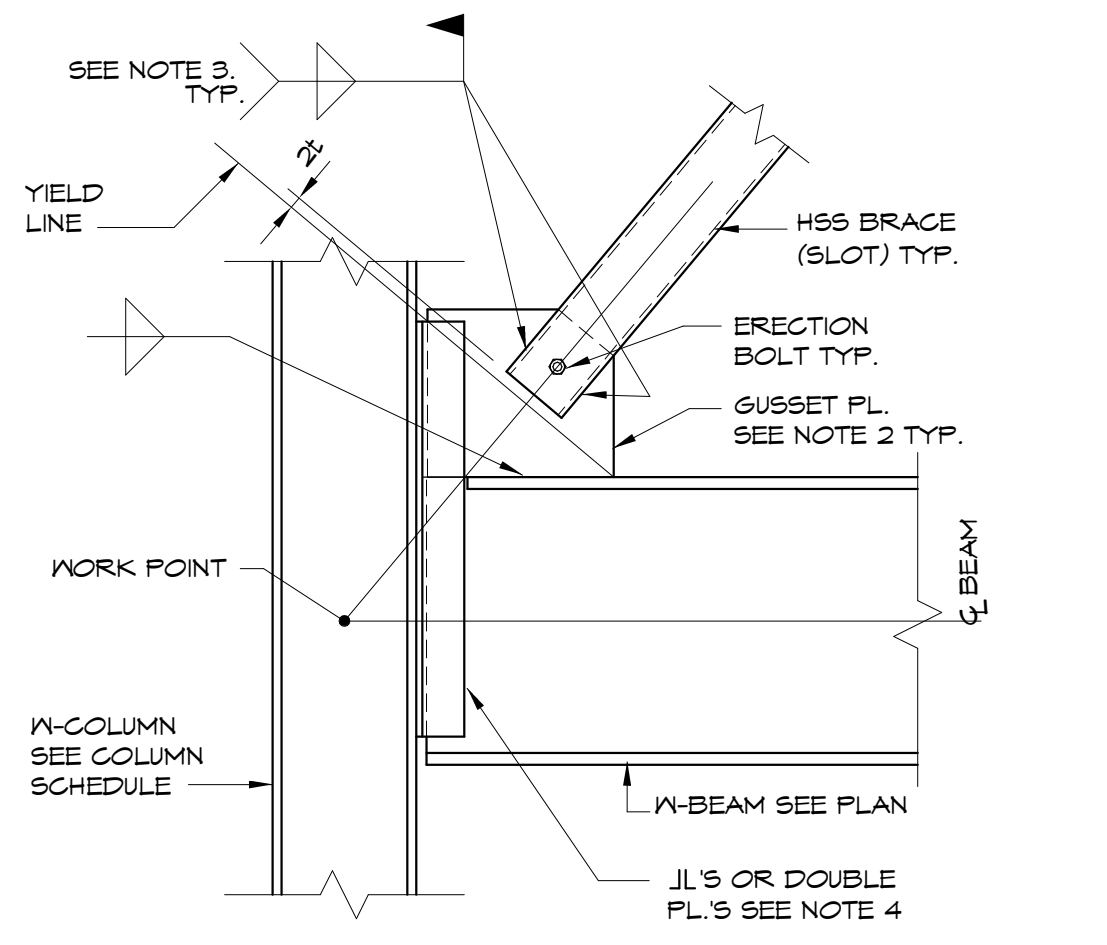
B DETAIL
 3/4" = 1'-0"



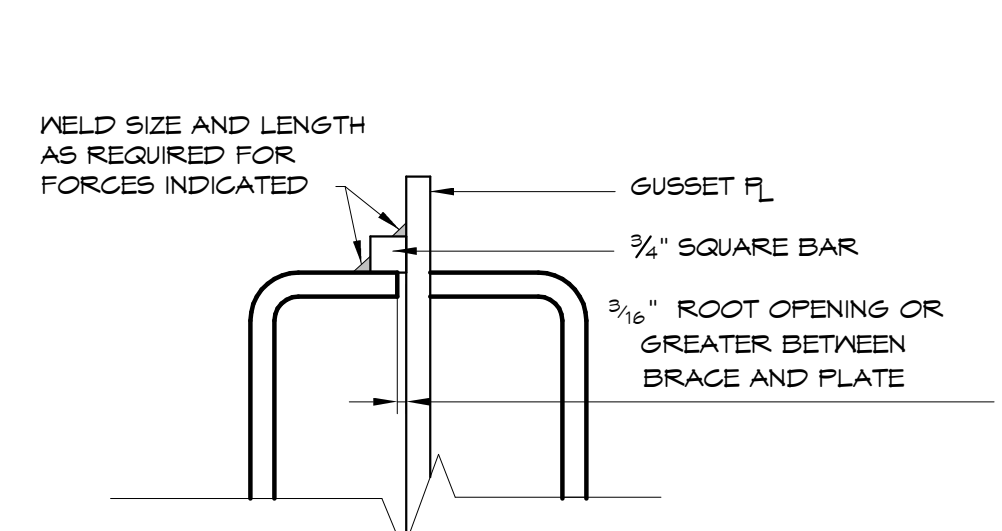
C DETAIL
 3/4" = 1'-0"



D DETAIL
 3/4" = 1'-0"



E DETAIL
 3/4" = 1'-0"



TYPICAL REPAIR OF GAP BETWEEN WELDING SURFACES

NOTE:
 IF ROOT OPENING IS 1/8" TO 3/8", INCREASE REQUIRED WELD SIZE BY THE OPENING SIZE.

NOTE
 (10SK) ETC. INDICATES FACTORED (LRFD) AXIAL FORCE IN THE BRACE MEMBERS FOR THE USE IN CONNECTION DESIGN. TO CHANGE LRFD LOAD TO ASD DIVIDE LRFD BY 1.5 (LRFD/1.5=ASD)

- BRACE DETAIL NOTES:**
1. FOR NUMBER, SIZE AND LENGTHS OF ANCHOR BOLTS SEE BASE PLATE DETAILS
 2. ALL BRACE GUSSET PLATES TO BE 1/2" THICK MIN.
 3. DETAILER TO PROVIDE SIZE AND LENGTH OF FIELD FILLET WELDS OF HSS BRACE TO PLATES ON THE ERECTION DRAWINGS.
 4. SHEAR CAPACITY OF CONNECTION TO BE BRACING LOAD PLUS BEAM SHEAR INDICATED ON PLANS.
 5. DETAILER TO REVIEW INSTALLATION OF BRACE MEMBER. SUBMIT DIAGRAM INDICATING HOW BRACE WILL FIT.