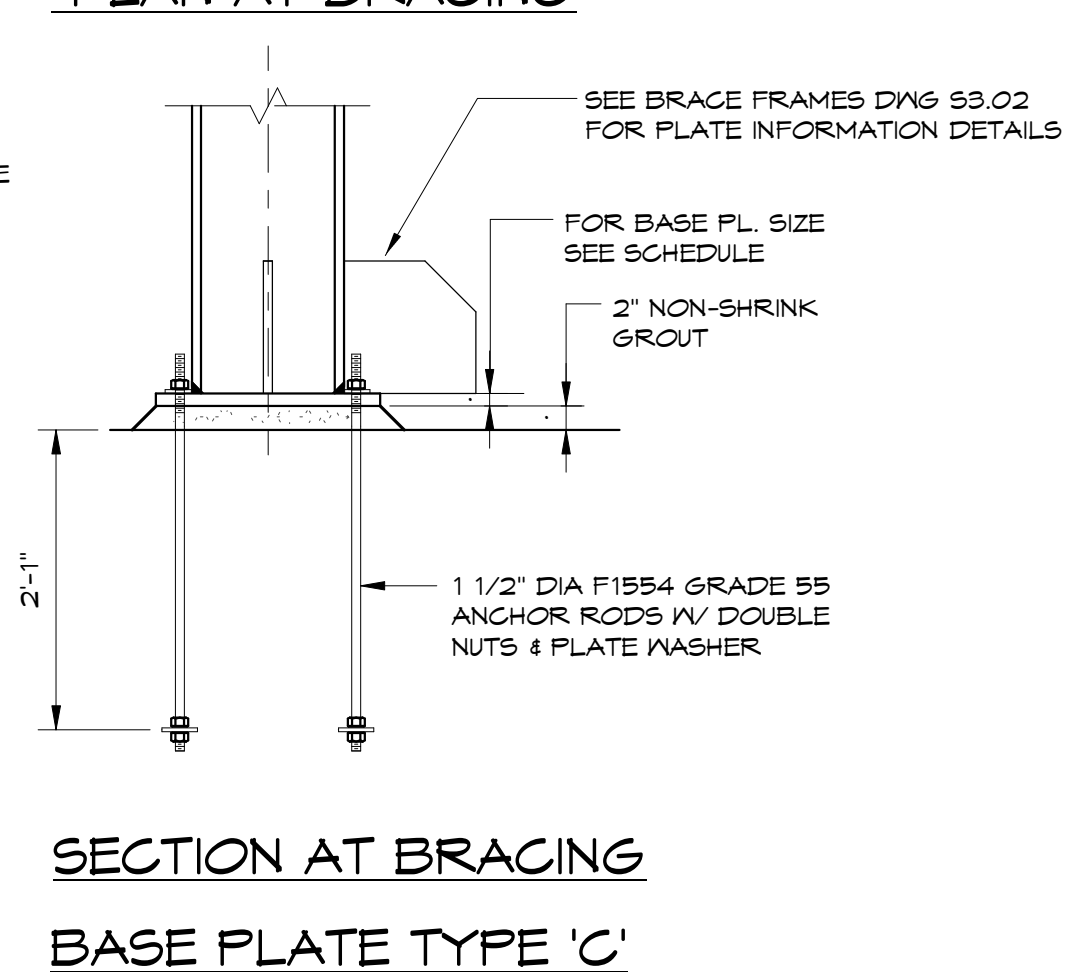
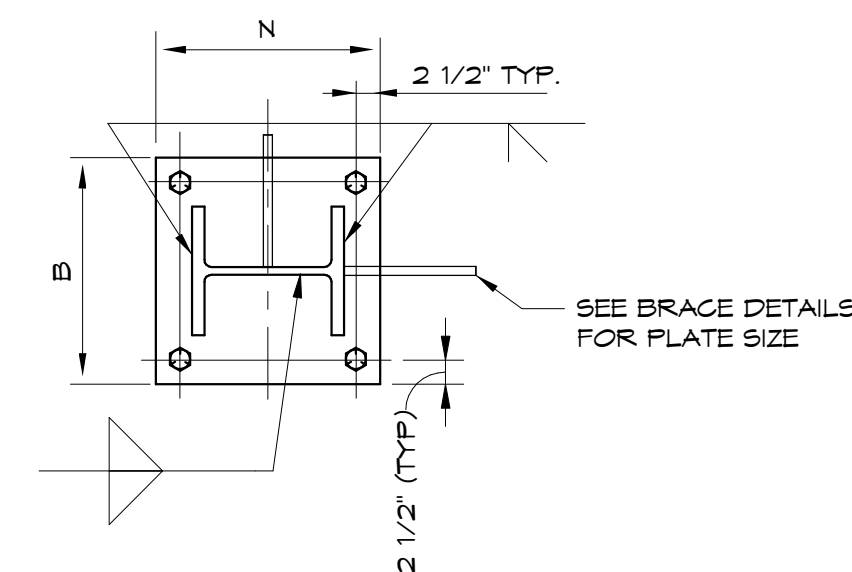
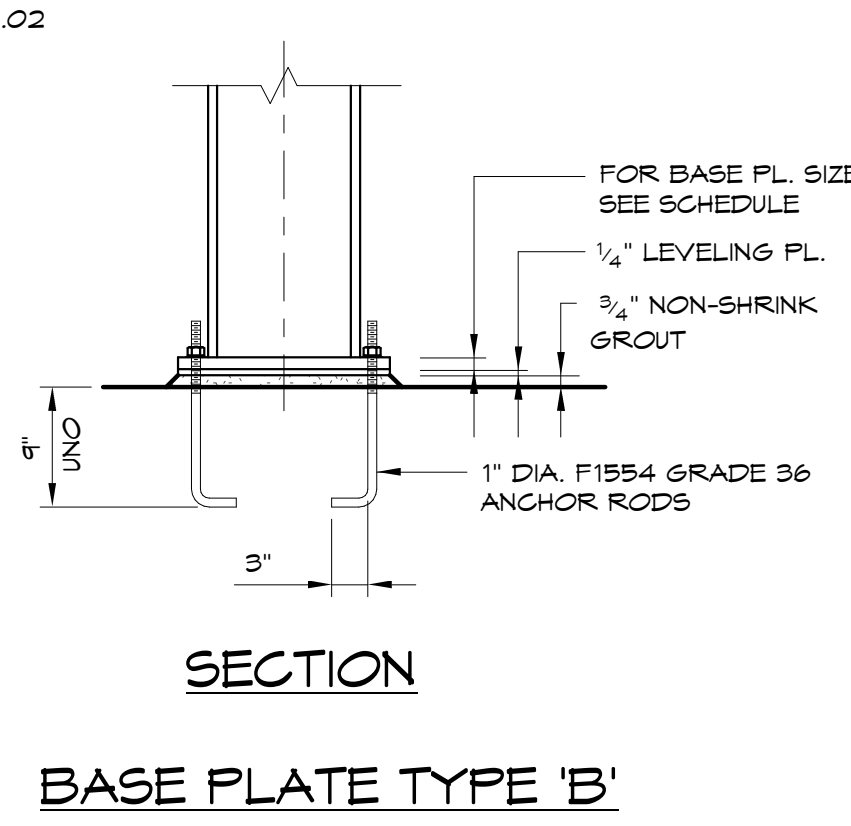
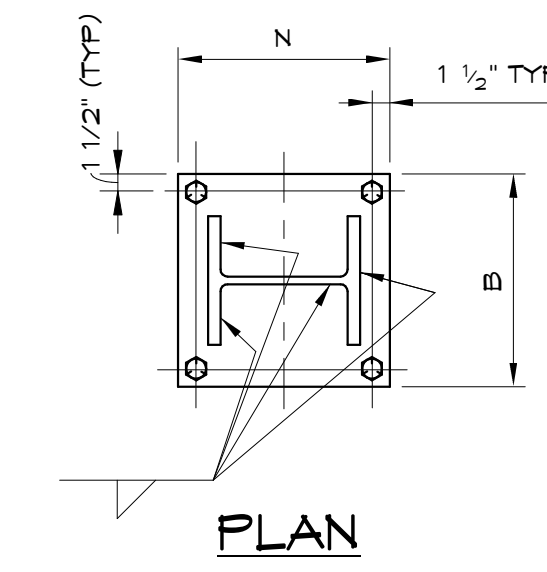
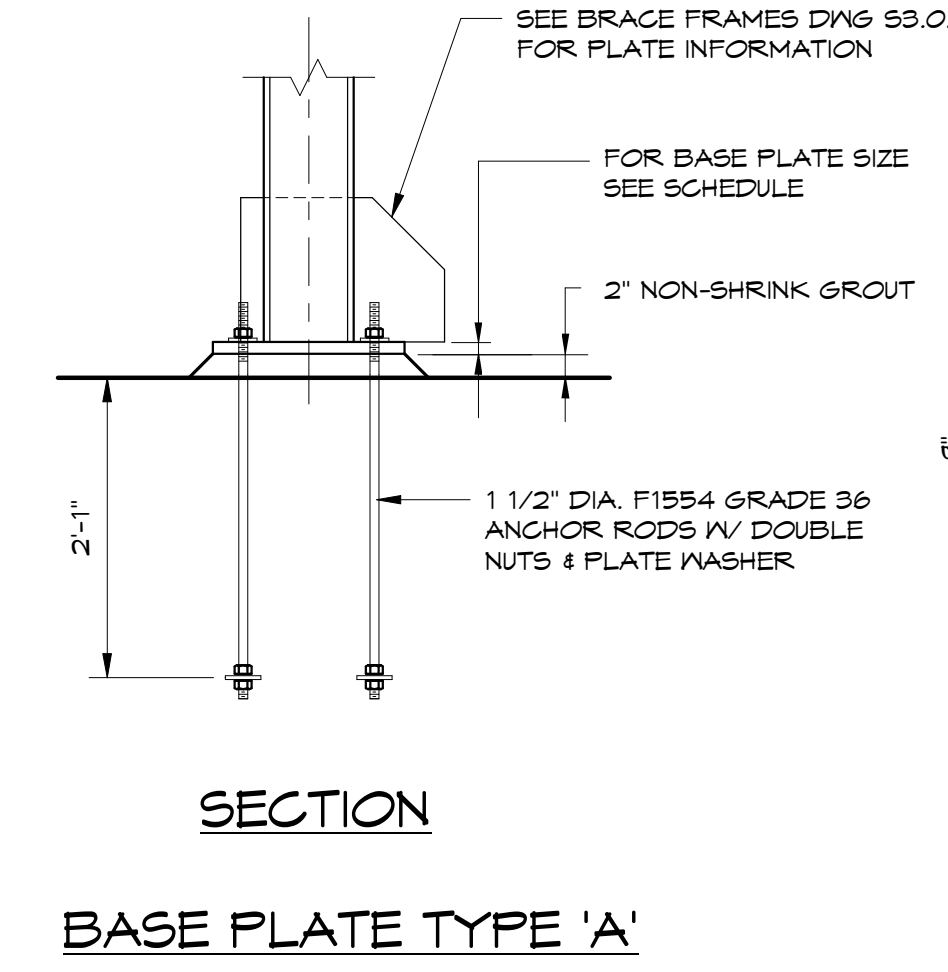
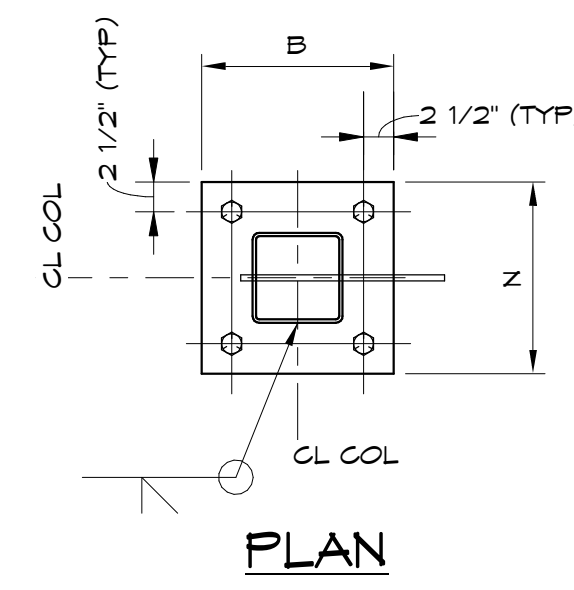
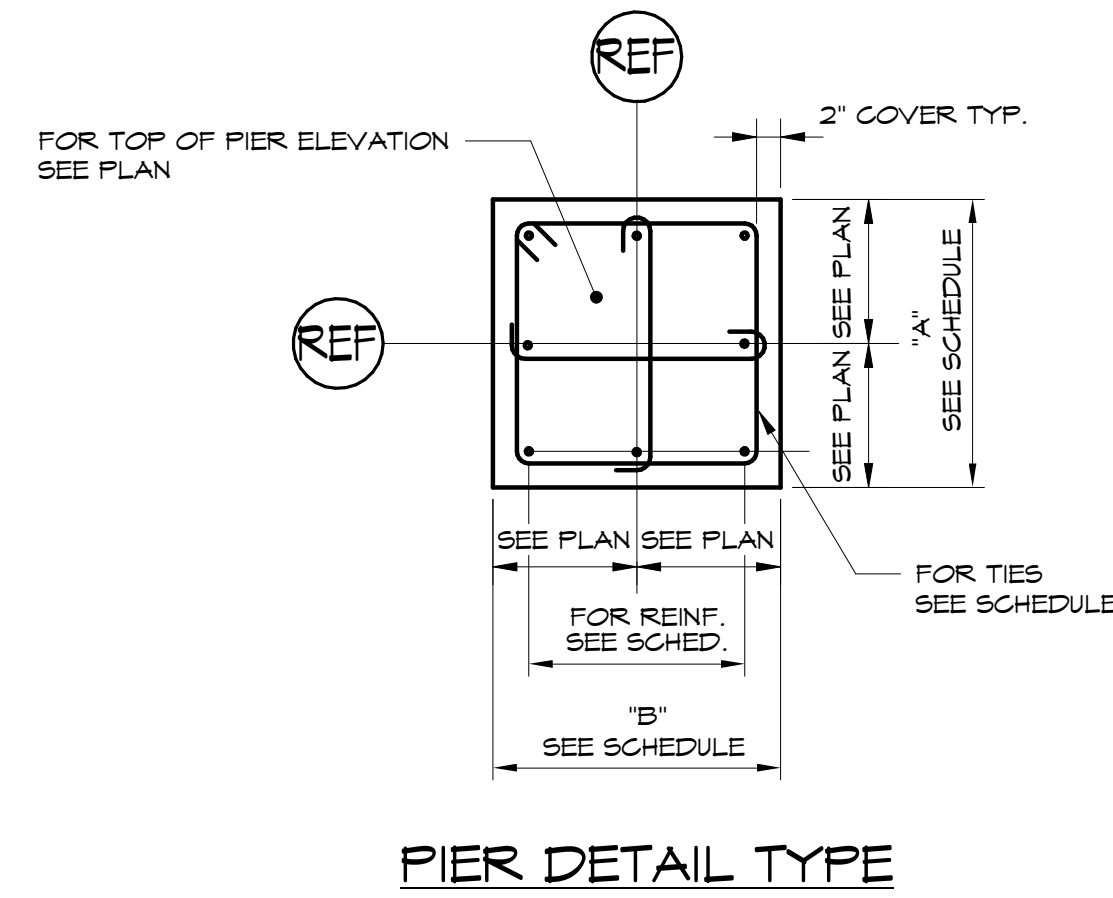


COLUMN SCHEDULE										
COL. NO.	C1	C2	C3	C4	C5	C6	C7	C8		
LEVEL										
ROOF EL. VARIES										
5TH FLOOR										
4TH FLOOR	M10X39 3'-0" (TYP)	M10X39	M10X39	M10X39		M10X45	H550X1/2	H550X1/2		
3RD FLOOR	M10X49				M10X49					
2ND FLOOR	M10X49	M10X41	M10X49	M10X54		M10X60	H550X5/2	H550X5/2		
FIRST FLOOR										
BASE PL. TYPE	B	B	B	B	B	C	A	A		
BASE PL. SIZE "N" x "L" x "B"	XX'XX'XX'-X"									

- COLUMN SCHEDULE NOTES:**
- ALL HSS COLUMNS SHALL BE ASTM A500 GRADE B.
 - ALL WF COLUMNS SHALL BE ASTM A512 GRADE 50.
- INDICATES GRAVITY COLUMN SPLICE
 INDICATES LATERAL COLUMN SPLICE

PIER SCHEDULE				
MARK	TYPE	SIZE "A"x"B"	REINFORCING	TIES
P1	-	X'XX"	X-X	#X@12"
P2				
P3				
P4				
P5				
P6				
P7				
P8				



Prepared For:
BATEMAN PARTNERS, LLC
P.O. BOX 7486
Portland, ME 04112

Consulting Engineer:
VEITAS VEITAS engineers
68 Granite Street, Suite 101
Brunswick, Massachusetts 02914
TEL: (508) 868-7486 FAX: (508) 298-2905

Architect:
ARCHETYPE architects
48 Union Wharf Portland, Maine 04101
(207) 772-6022 Fax (207) 772-4056

Project:
16 MIDDLE STREET
MIDDLE STREET
PORTLAND, MAINE

Revisions:
01/15/16 ISSUED FOR FDN. PERMIT
06/03/16 ISSUED FOR BUILDING PERMIT

Date: 01/15/16
Scale:
COLUMN SCHEDULE & PIER DETAILS

S3.01