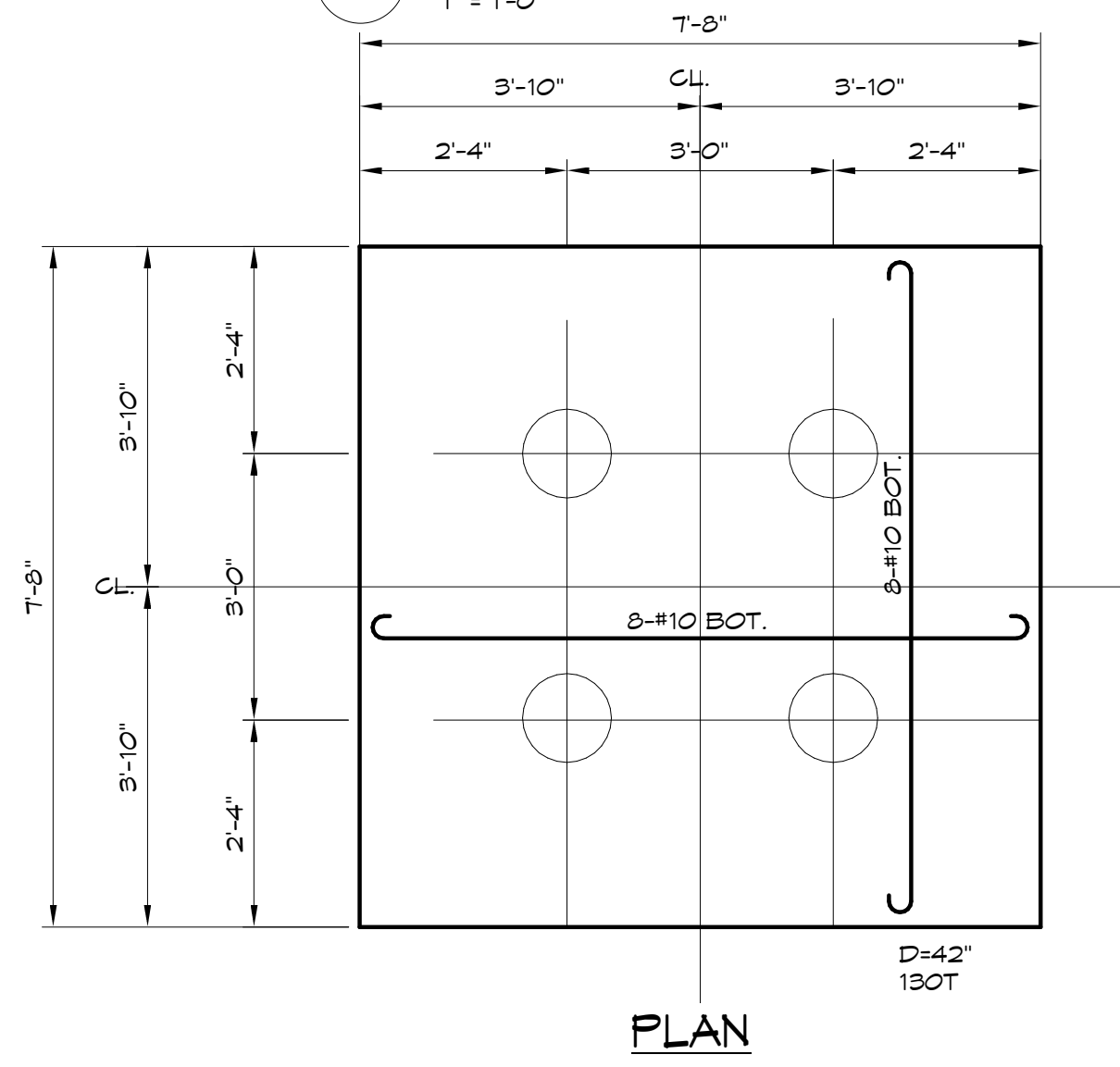
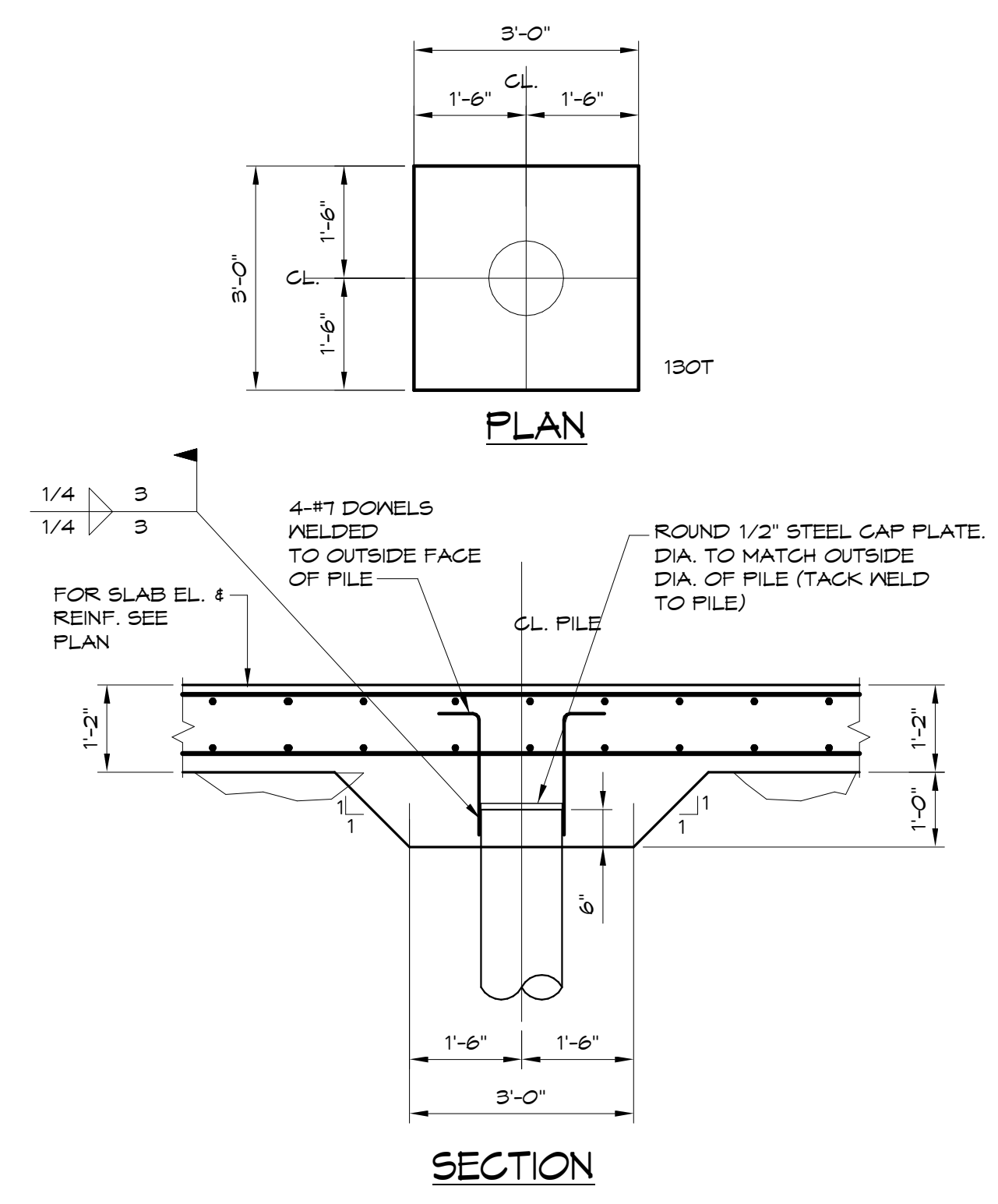


NOTE:  
1. CONTRACTOR SHALL SUBMIT PROPOSED LOCATIONS OF CONSTRUCTION JOINTS TO THE STRUCTURAL ENGINEER FOR APPROVAL.

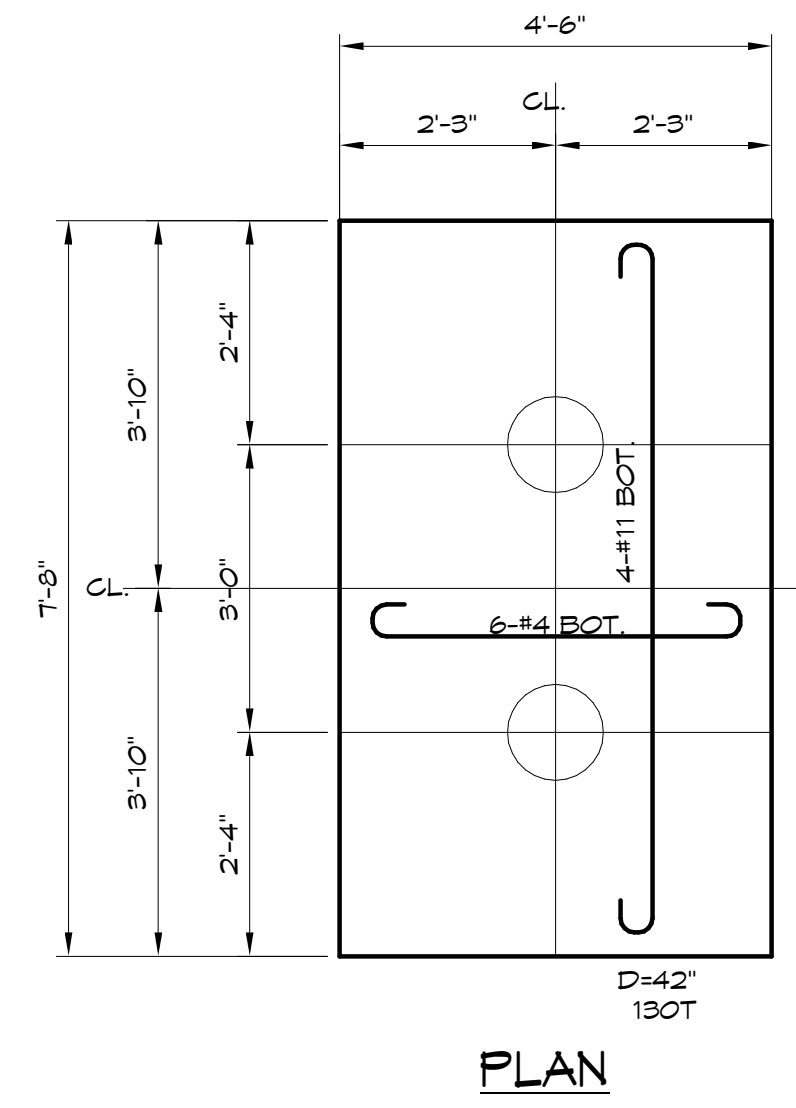
1 TYPICAL CONCRETE BEAM CONSTRUCTION JOINT  
1" = 1'-0"



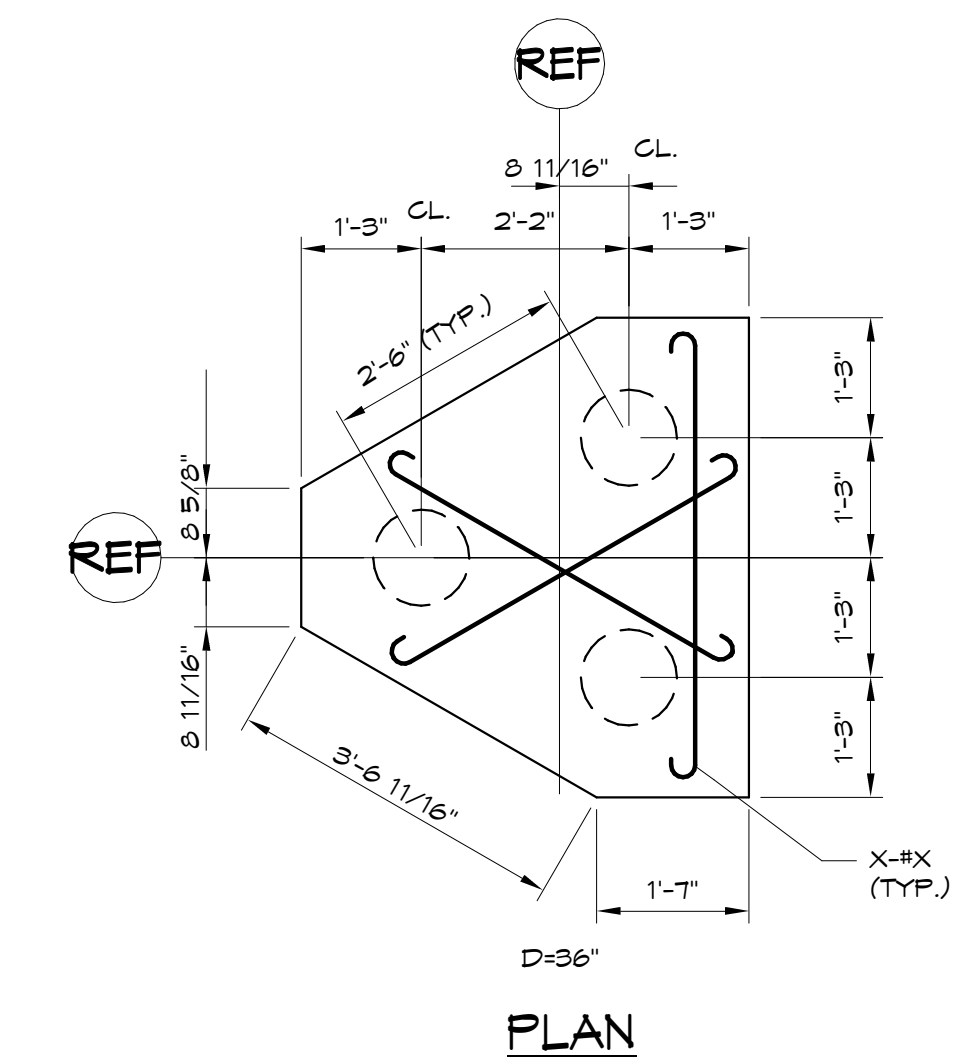
5 PILE CAP - PC4  
1/2" = 1'-0"



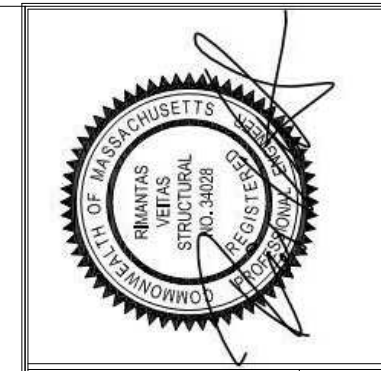
2 PILE CAP - PC1  
1/2" = 1'-0"



3 PILE CAP - PC2  
1/2" = 1'-0"



4 PILE CAP - PC3  
1/2" = 1'-0"



Prepared For:  
**BATEMAN PARTNERS, LLC**  
P.O. BOX 7486  
Portland, ME 04112

Consulting Engineer:  
**VEITAS VEITAS**  
engineers  
638 Granite Street, Suite 101  
Bangor, Maine 04401  
Tel: (207) 686-2800 Fax: (207) 686-2805

Architect:  
**ARCHETYPE**  
architects  
48 Union Wharf Portland, Maine 04101  
(207) 772-6022 Fax (207) 772-4056

Project:  
**16 MIDDLE STREET**  
MIDDLE STREET  
PORTLAND, MAINE

Revisions:
01/15/16 ISSUED FOR FDN. PERMIT
06/03/16 ISSUED FOR BUILDING PERMIT

Date: 01/15/16  
Scale:  
**TYPICAL DETAILS**