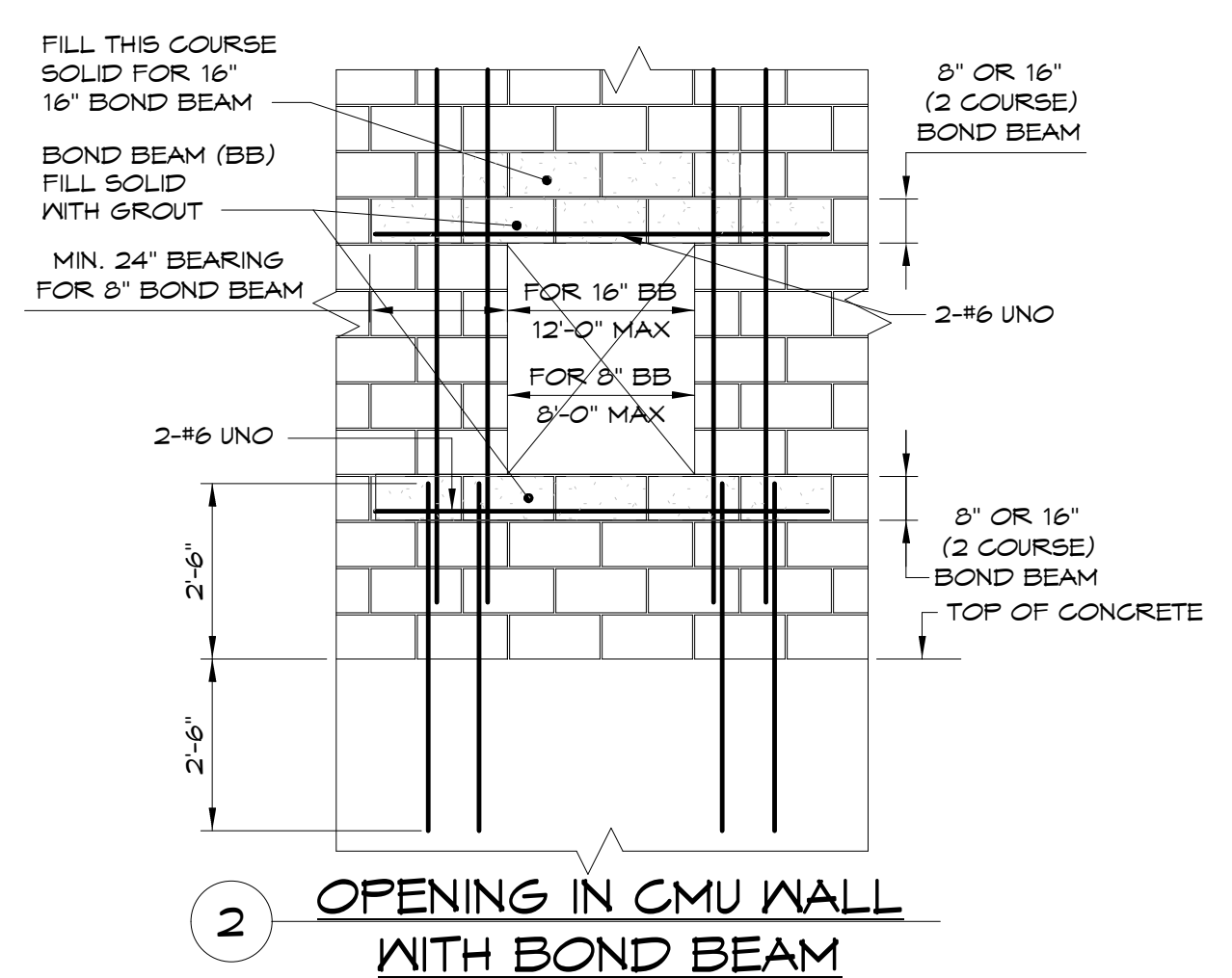
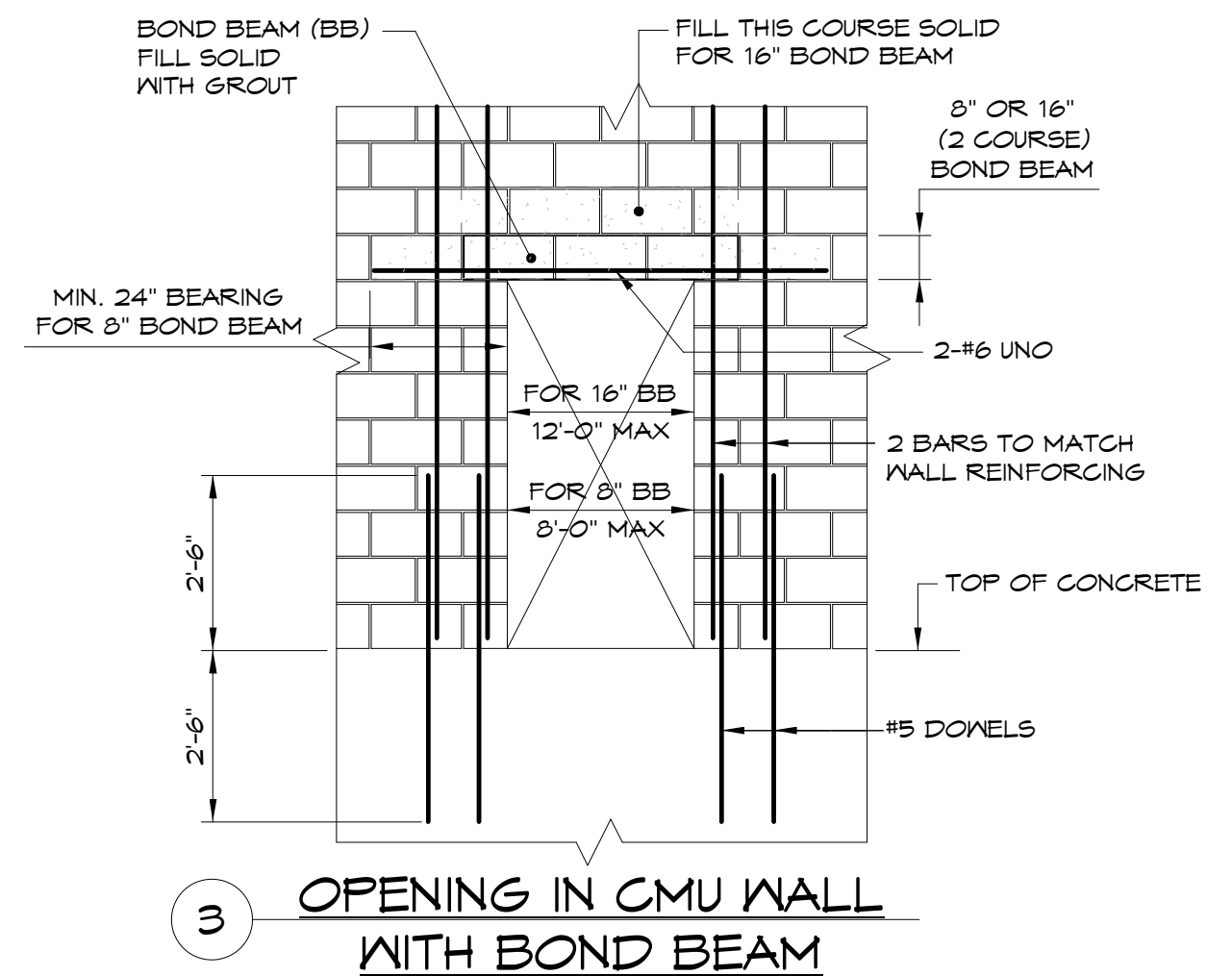


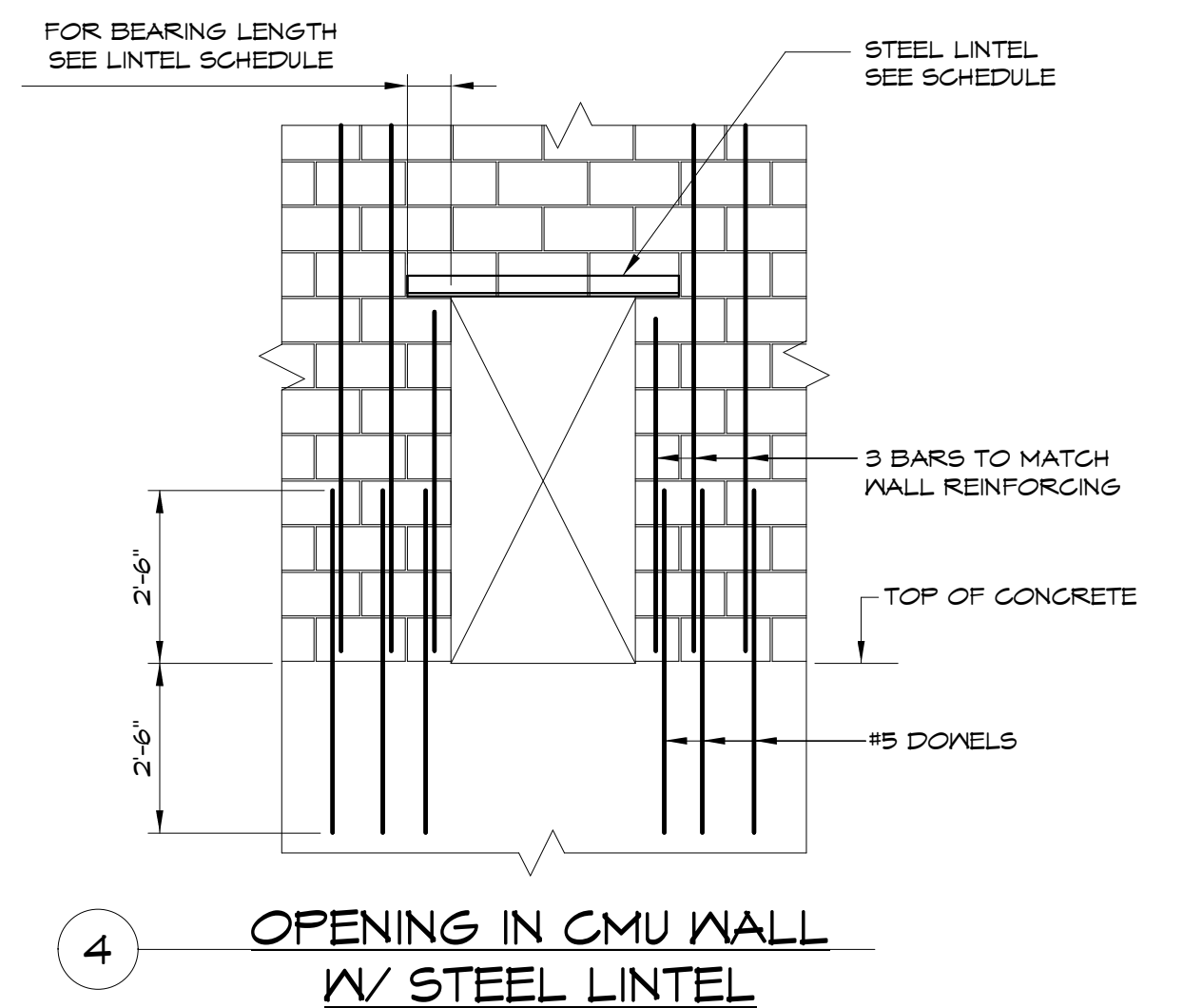
1 TYPICAL LOW LIFT GROUTING DETAIL
3/4" = 1'-0"



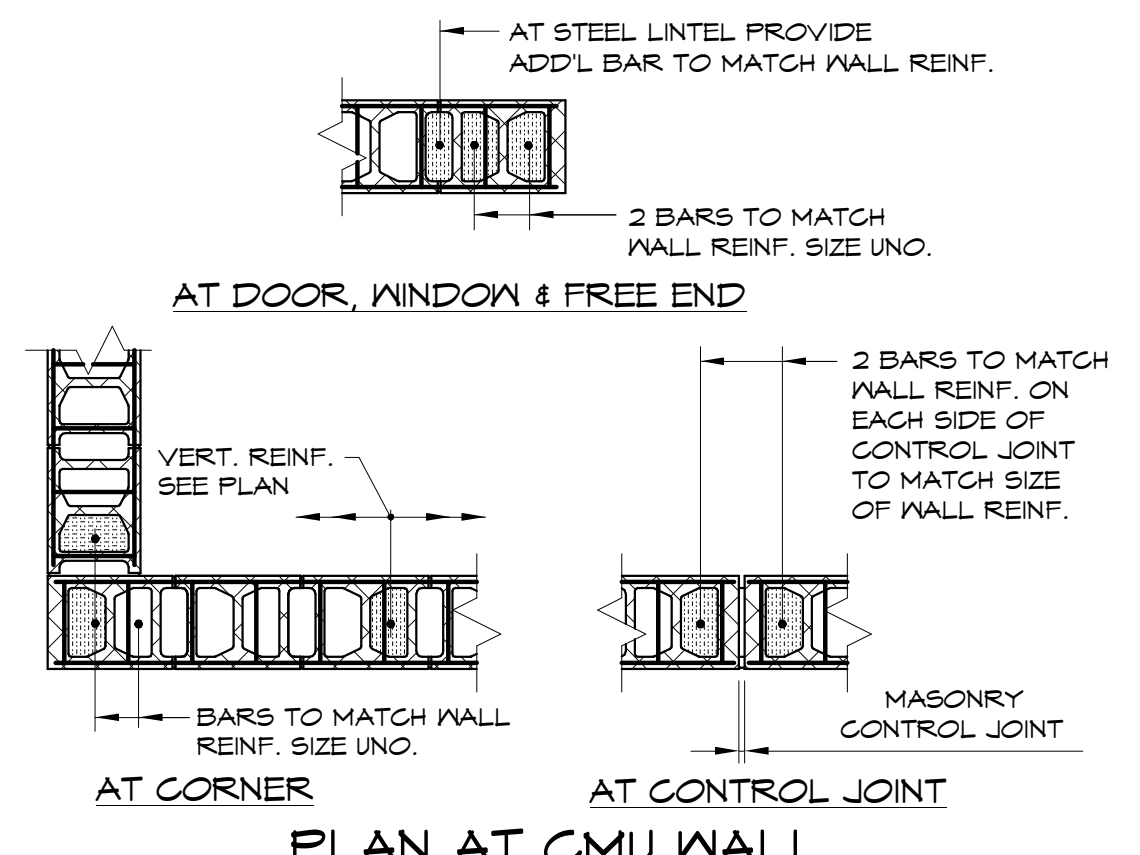
2 OPENING IN CMU WALL WITH BOND BEAM



3 OPENING IN CMU WALL WITH BOND BEAM



4 OPENING IN CMU WALL W/ STEEL LINTEL

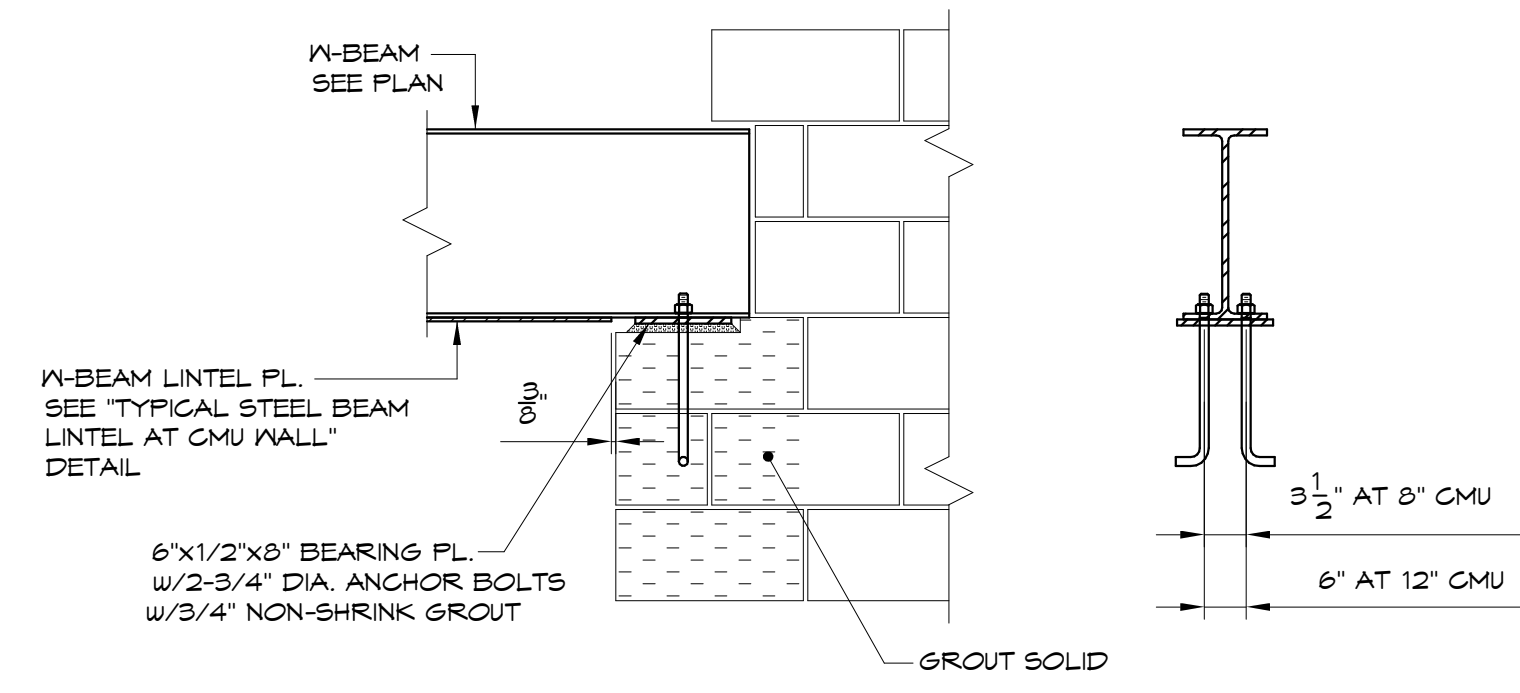


5 TYPICAL CMU DETAILS
1/2" = 1'-0"

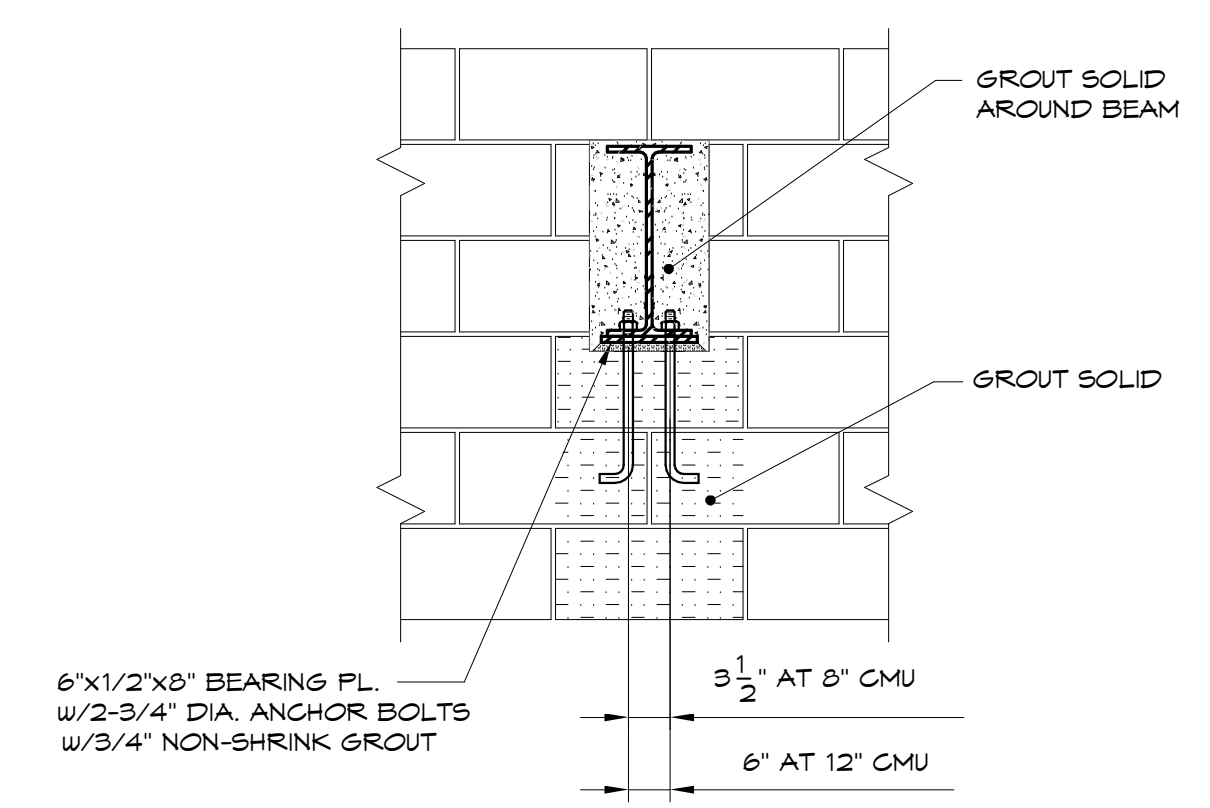
LOOSE LINTEL SCHEDULE			
OPENING	LINTEL	BEARING EACH END	REMARKS
3'-6" OR LESS	L3x3x3/4	4"	---
OVER 3'-6" THRU 5'-6"	L4x3x3/4	6"	LLV
OVER 5'-6" THRU 7'-6"	L6x3x3/4	6"	LLV
OVER 7'-6" THRU 9'-6"	L8x3x3/4	6"	LLV

- NOTES:**
- WHERE ANGLE LINTELS ARE REQUIRED PROVIDE ONE ANGLE FOR EACH 4' OR LESS THICKNESS OF MASONRY.
 - FOR OPENINGS OVER 6'-0" PROVIDE SOLID MASONRY JAM UNDER LINTEL AT EACH SIDE OF OPENING.
 - LINTELS INDICATED ON PLAN SUPERSEDE THE REQUIREMENTS OF THIS SCHEDULE.
 - ALL EXTERIOR LINTELS SHALL BE HOT DIP GALVANIZED.
 - ALL OTHER LINTELS SHALL BE PRIME PAINTED.
 - FOR LINTELS IN LOAD BEARING WALL SEE "LOAD BEARING LINTEL SCHEDULE".

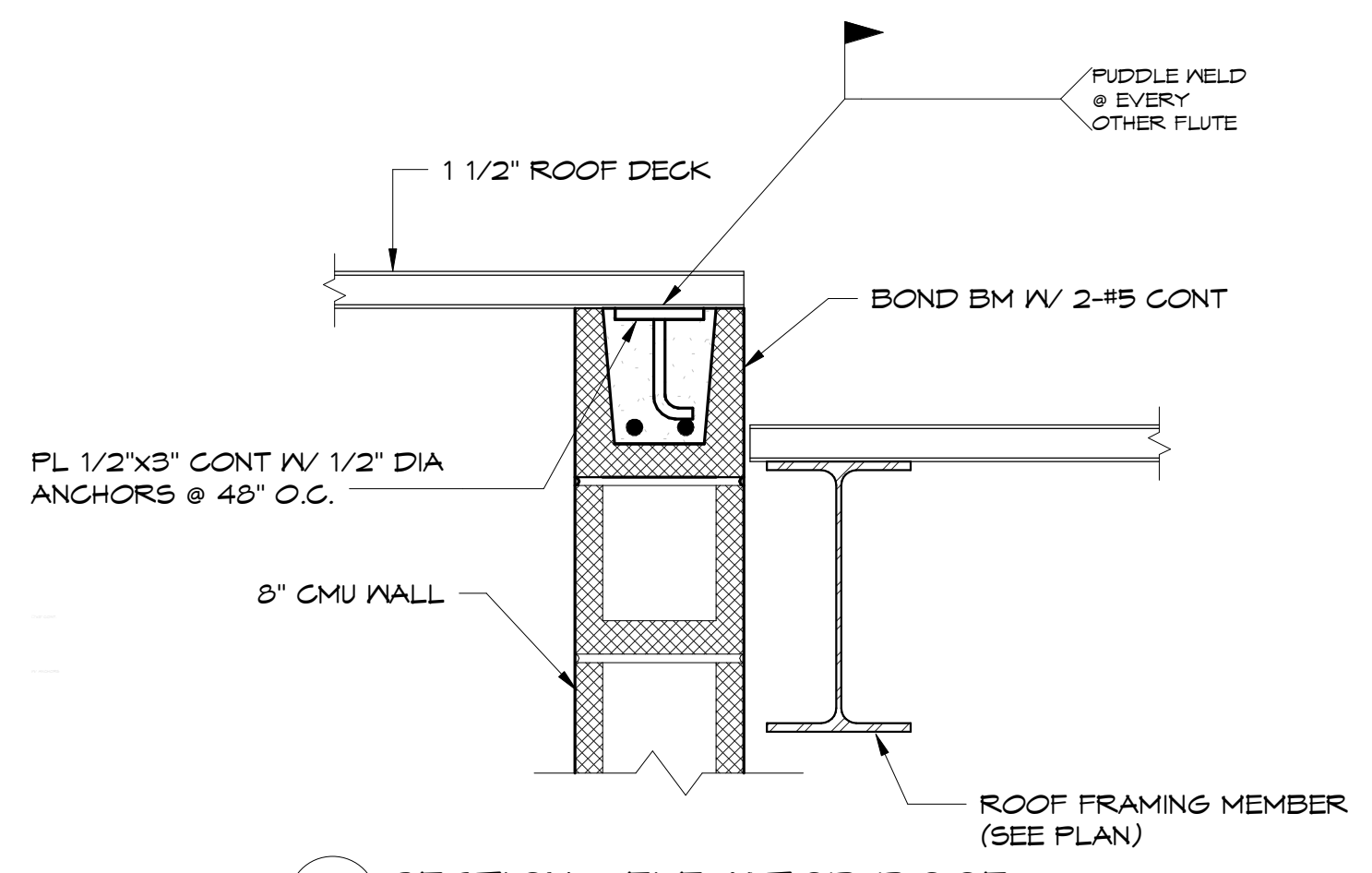
6 LOOSE LINTEL SCHEDULE
1/8" = 1'-0"



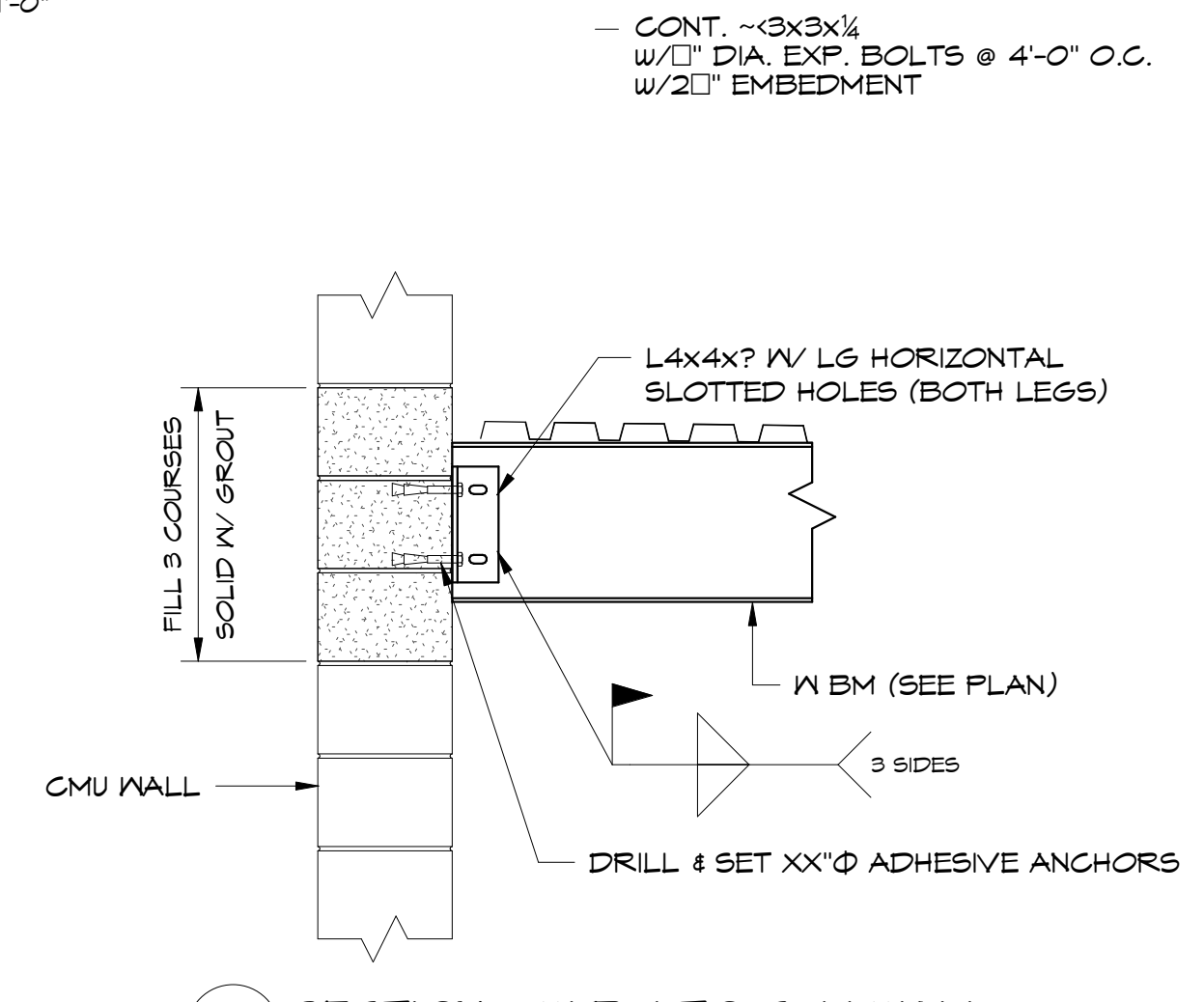
7 TYPICAL STEEL BEARING PLATE AT CMU WALL



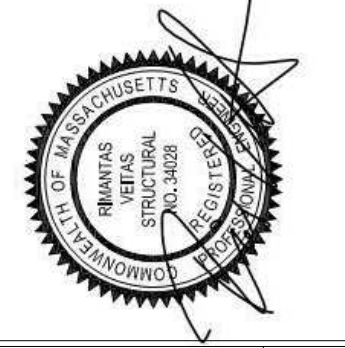
8 TYPICAL STEEL BEARING PLATE AT CMU WALL



9 SECTION - ELEVATOR ROOF
1 1/2" = 1'-0"



10 SECTION - I-BM TO CMU WALL
3/4" = 1'-0"



Prepared For:
BATEMAN PARTNERS, LLC
P.O. BOX 7486
Portland, ME 04112

Consulting Engineer:
VEITAS ENGINEERS
68 Granite Street, Suite 101
Brewster, Massachusetts 02544
Tel: (781) 866-8868 Fax: (781) 866-2806

Architect:
ARCHETYPE architects
48 Union Wharf Portland, Maine 04101
(207) 772-6022 Fax (207) 772-4056

Project:
16 MIDDLE STREET
MIDDLE STREET
PORTLAND, MAINE

Revisions:
01/15/16 ISSUED FOR FDN. PERMIT
06/03/16 ISSUED FOR BUILDING PERMIT

Date: 01/15/16
Scale:
TYPICAL DETAILS