

THIS DOCUMENT IS THE PROPERTY OF FABCO INDUSTRIES AND IS CONVEYED WITH THE EXPRESS CONDITION THAT IT AND THE INFORMATION CONTAINED IN IT ARE NOT TO BE USED, DISCLOSED, OR REPRODUCED IN WHOLE OR IN PART, FOR ANY PURPOSE WITHOUT THE EXPRESS WRITTEN CONSENT OF FABCO INDUSTRIES, AND THAT NO RIGHT IS GRANTED TO DISCLOSE OR SO USE ANY INFORMATION CONTAINED IN SAID DOCUMENT.

FORM FAB-001

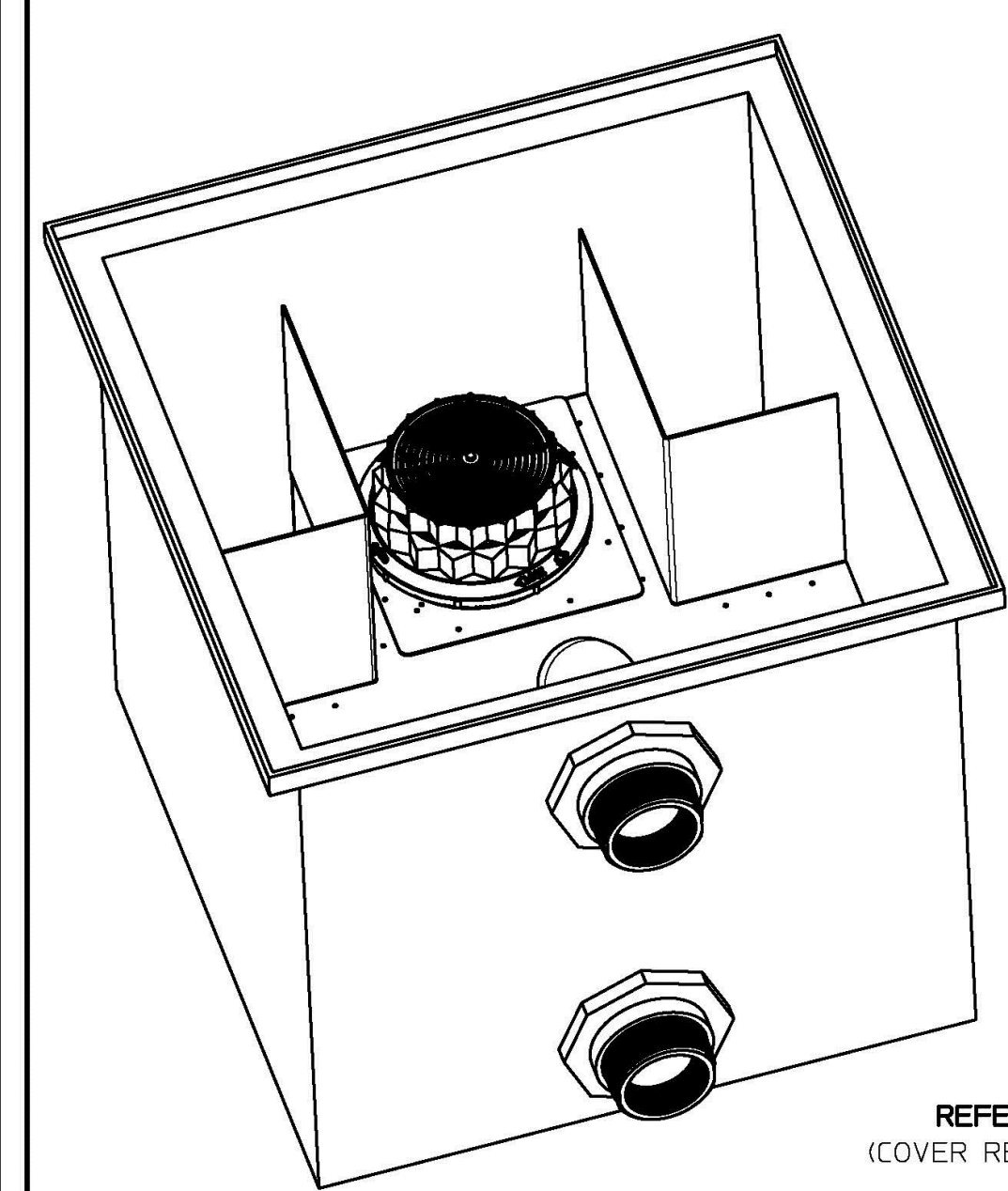
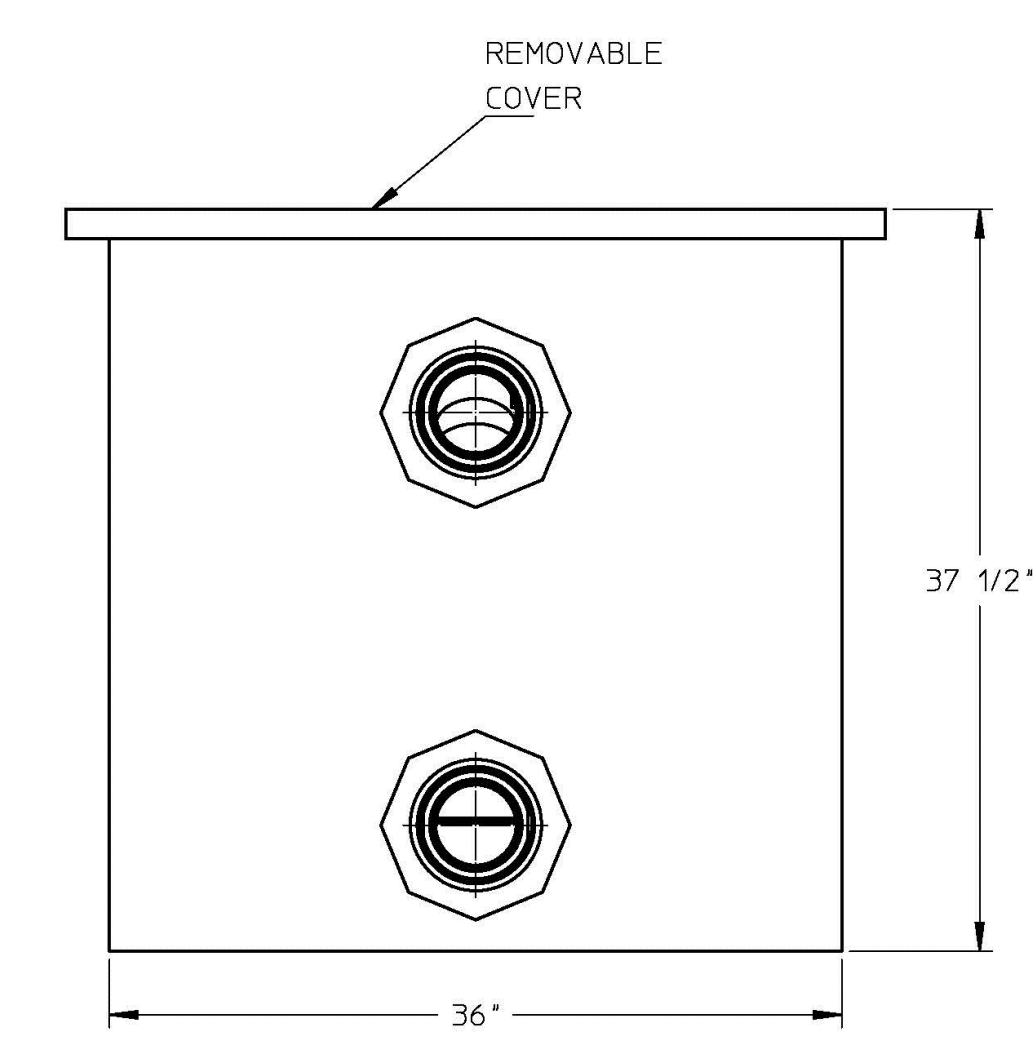
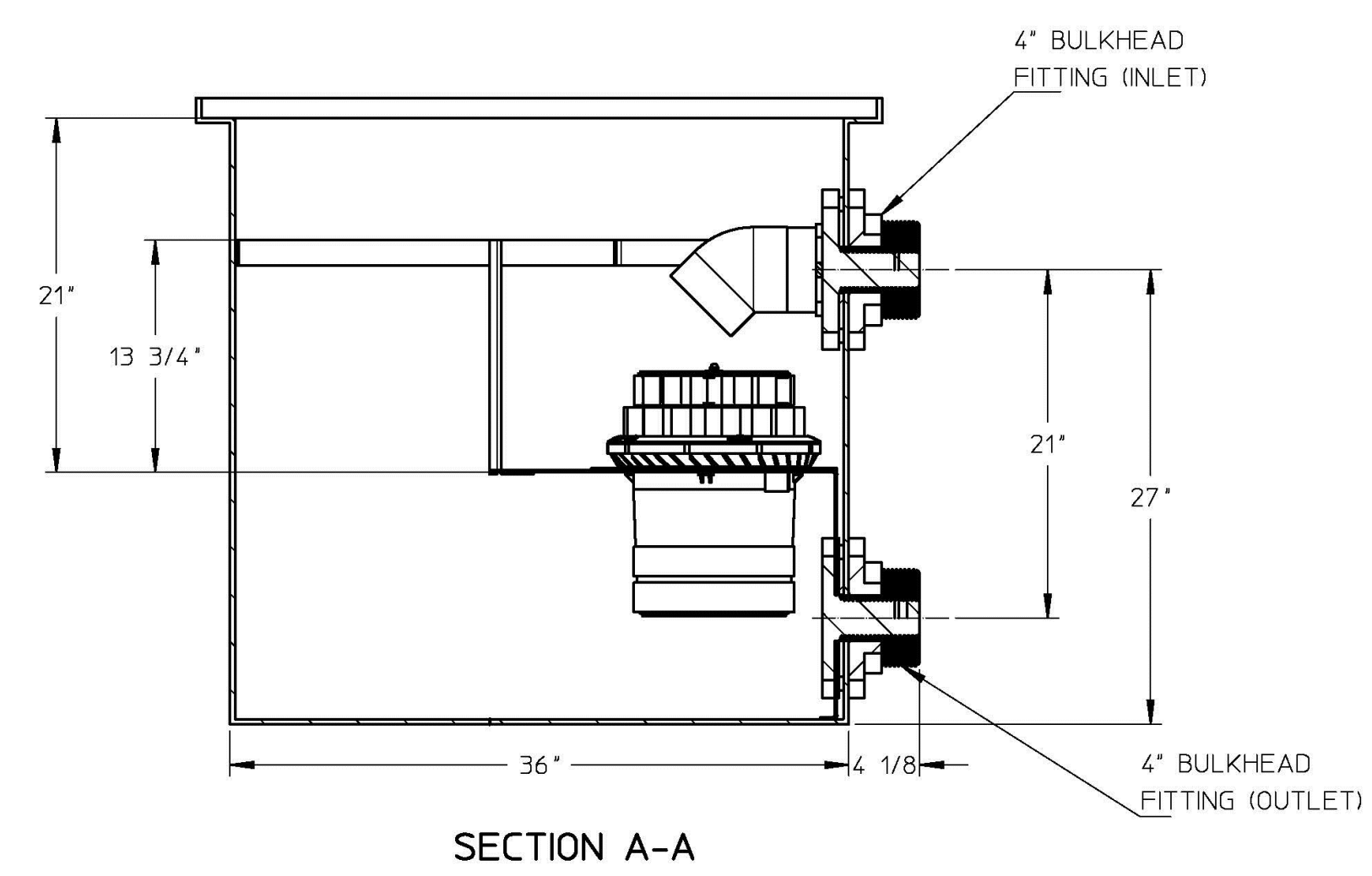
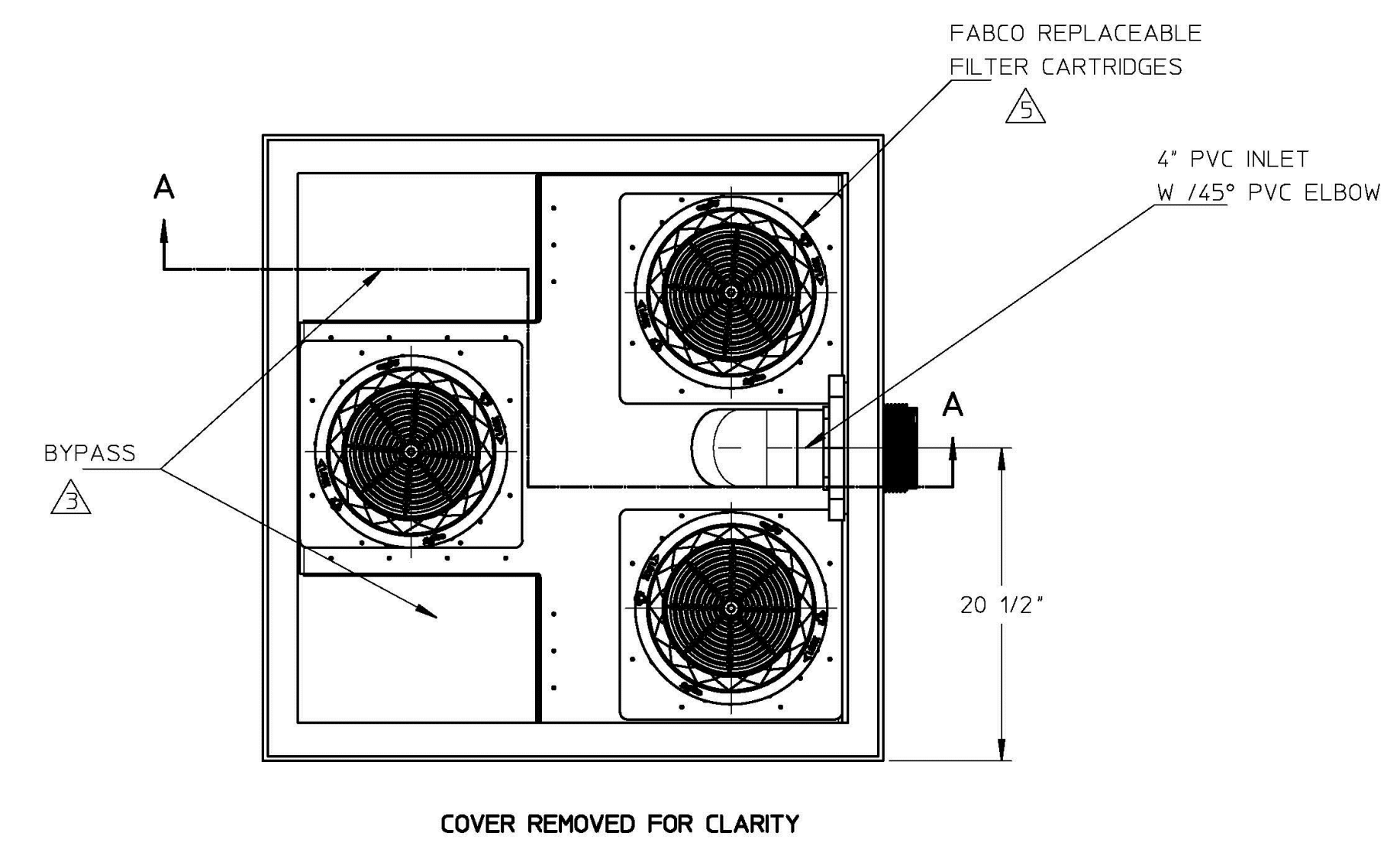
REVISIONS			
REV	DESCRIPTION	DATE	APPROVED
A	FIRST RELEASE	6/30/14	

NOTES:

- WEIGHT (APPROX):
A) EMPTY W/CARTRIDGES: 50-LB (MAX)
B) FULL OF WATER: 1800-LB (MAX)
- MATERIAL:
A) FILTER HOUSING AND COVER: HDPE, WHITE
B) CARTRIDGE PLATE: 5052-H32 ALUMINUM ALLOY
C) SUPPORT HARDWARE: CRES 300 SERIES OR EQUAL
- PERFORMANCE CHARACTERISTICS (TYP):
A) DEBRIS CAPACITY: 11.0 CU-FT
B) FILTERED FLOW RATE: SEE TABLE 1
C) BYPASS FLOW RATE: 3100 GPM (6.9 CFS)
- TYPICAL INSTALLATION: CUT DOWNSPOUT PIPE AND CONNECT THE 4" INLET AND OUTLET PIPES AS REQUIRED TO REDIRECT RAIN FLOW THROUGH THE FILTER BOX.
- USE ONLY WITH FABCO REPLACEABLE MEDIA CARTRIDGES.
- ALL TANK DIMENSIONS ARE REFERENCE AND VARY BY THE STANDARD ROTATIONAL MOLDING TOLERANCE OF ± 3%

TABLE 1
ADDITIONAL CARTRIDGE DESIGNS

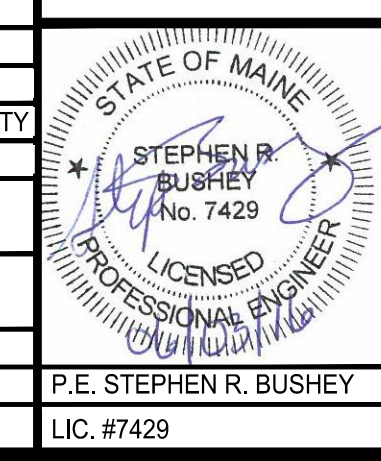
ORDER NUMBER	DESCRIPTION	COLOR CODE	FLOW RATE (TYP)
9718-1	STANDARD	RED	115 GPM (.26 CFS)
9718-2	BACTERIA	YELLOW	115 GPM (.26 CFS)
9718-3	HYDROCARBONS	BLUE	115 GPM (.26 CFS)
9718-4	HEAVY METALS	GREY	60 GPM (.13 CFS)
9718-5	STANDARD (SHORT)	MINT	115 GPM (.26 CFS)
9718-6	NUTRIENTS	GREEN	100 GPM (.22 CFS)
9718-7	HIGH FLOW	RED (MARKED)	260 GPM (.58 CFS)



NO	QTY	PART NUMBER	DESCRIPTION	REMARKS
BILL OF MATERIALS				
UNLESS OTHERWISE SPECIFIED:		TOLERANCES: DEC 00 ± .01		
REMOVE ALL BURRS		BREAK SHARP EDGES .002 - .020		
FILLETS 20R MAX		FRACILE ± .005		
DIMENSIONS ARE IN INCHES AND		ANGLE ± 2°		
INCLUDE CHAMFER IF APPLIED		RD FINISH 12/1		
OR PLATED FINISHES		DO NOT SCALE THIS DRAWING		
MATERIAL		SEE NOTES		
MODEL LINK		10080-2		
APPROVALS		DATE		
DWN MS		6/30/14		
CHKR				
ENGR JP		6/30/14		
APVD				
FABCO INDUSTRIES, INC.		66 CENTRAL AVENUE		
FARMINGDALE, NY 11735		WWW.FABCO-INDUSTRIES.COM		
SIZE	CAGE CODE	DWG NO	REV	
D	1P8A4	10080-2-000	A	
SCALE	1:8	WT	SHEET	1 OF 1

A FABCO DOWNSPOUT FILTER UNIT DETAIL
N.T.S.

REV	DATE	DESCRIPTION
8	06.03.16	ISSUED FOR CONSTRUCTION
7	05.24.16	90% CD PACKAGE
6	02.15.16	50% CD PACKAGE
5	04.15.15	REVISED PER STAFF COMMENTS & RESUBMITTED TO CITY
4	02.06.15	SUBMITTED FINAL SITE PLAN APPLICATION TO CITY
3	07.08.14	REVISED PER ENGINEERING PEER REVIEW COMMENTS AND RESUBMITTED TO CITY
2	06.12.14	REVISED PER PLANNING REVIEW STAFF COMMENTS AND RESUBMITTED TO CITY
1	05.05.14	SUBMITTED TO CITY



PROJECT
16 MIDDLE STREET
PORTLAND, MAINE

SHEET TITLE
UTILITY &
MISCELLANEOUS DETAILS

CLIENT
16 MIDDLE STREET
ASSOCIATES LLC

FST
100 YEARS
FAY, SPOFFORD & THORNDIKE
ENGINEERS • PLANNERS • SCIENTISTS
778 MAIN ST, SUITE 8, SOUTH PORTLAND, ME 04106

DRAWN: CDD
DESIGNED: SRB
CHECKED: SRB
FILE NAME: SP-M150-DET
DATE: MAY 2014
SCALE: N.T.S.
JOB NO.: 195350140
SHEET C-6.3