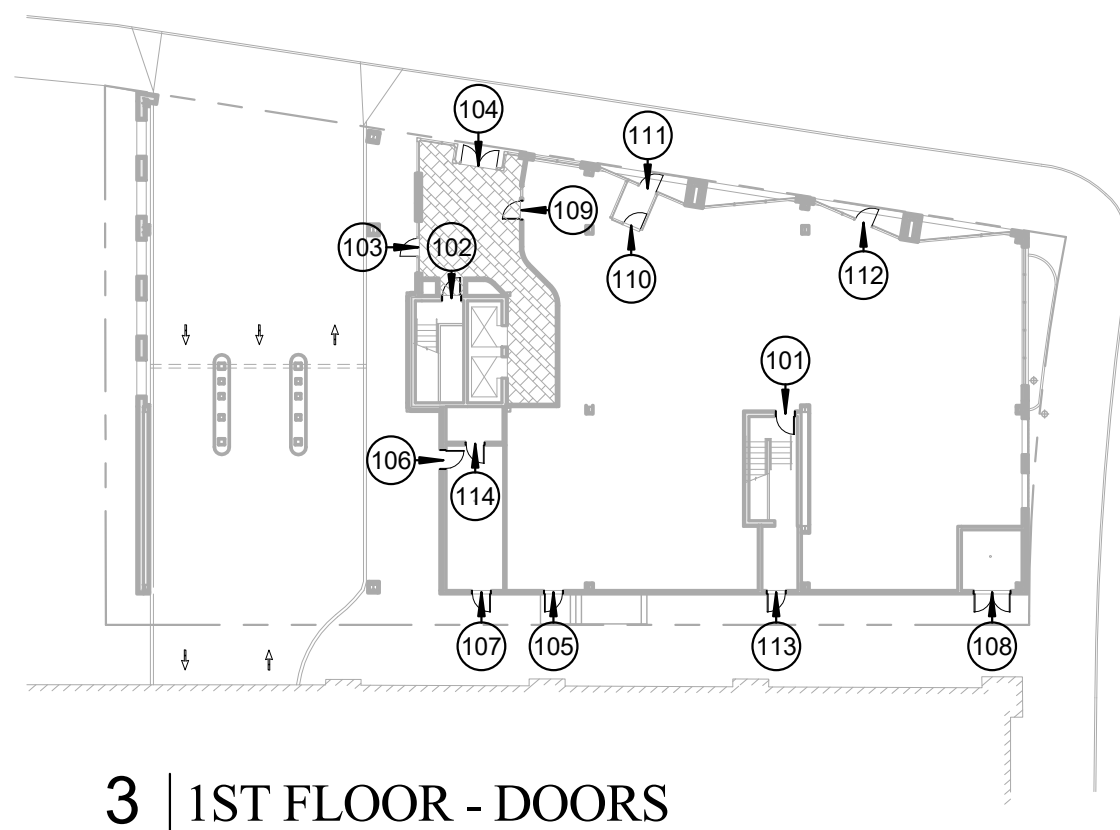
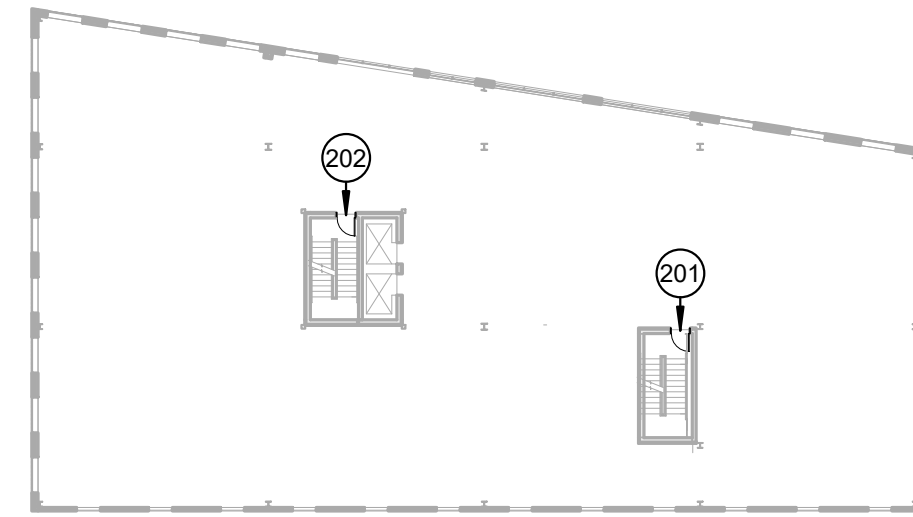


DOOR SCHEDULE

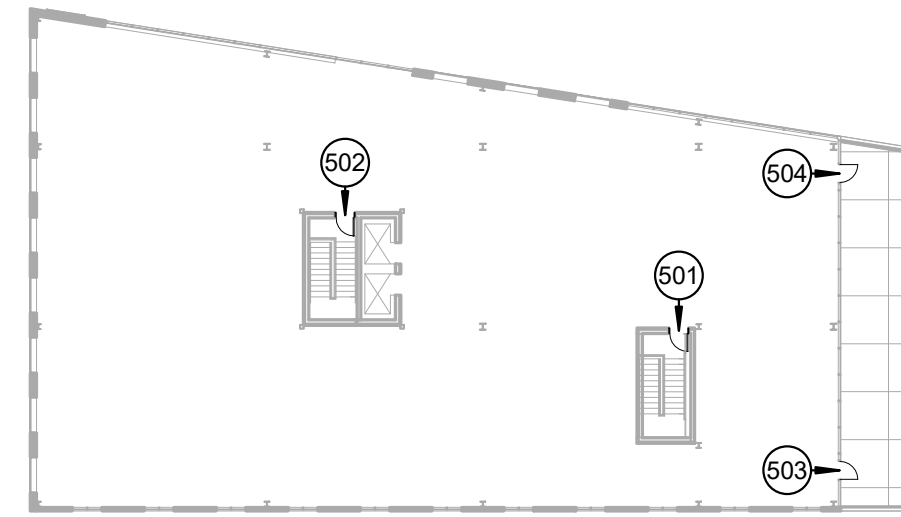
Level	DOOR No.	LOCATION	DOOR			TYPE	MAT'L	FINISH	FRAME		LABEL	CLOSER	SWEEP	REMARKS	
			W	H	THCK				THRESHOLD	MAT'L					FINISH
1ST FLOOR															
1ST FLOOR	101	STAIR B	3'-0"	7'-0"	1 3/4"	3	HM	PTD	ALUM	MTL	PTD	1-1/2 HR	Yes	Yes	
1ST FLOOR	102	STAIR A	3'-0"	7'-0"	1 3/4"	3	HM	PTD	ALUM	MTL	PTD	1-1/2 HR	Yes	Yes	
1ST FLOOR	103	LOBBY	3'-0"	7'-0"	1 3/4"	4	ALUM		ALUM				Yes	Yes	
1ST FLOOR	104	LOBBY	6'-0"	7'-0"	1 3/4"	5	ALUM		ALUM				Yes	Yes	
1ST FLOOR	105	RETAIL SPACE	3'-0"	7'-0"	1 3/4"	1	HM	PTD		MTL	PTD	1-1/2 HR	Yes	Yes	
1ST FLOOR	106	UTILITY	3'-0"	7'-0"	1 3/4"	1	HM	PTD	ALUM	MTL	PTD		Yes	Yes	
1ST FLOOR	107	UTILITY	3'-0"	7'-0"	1 3/4"	1	HM	PTD	ALUM	MTL	PTD	3/4 HR	Yes	Yes	
1ST FLOOR	108	TRASH ROOM	6'-0"	7'-0"	1 3/4"	2	HM	PTD	ALUM	MTL	PTD	3/4 HR	Yes	Yes	
1ST FLOOR	109	RETAIL SPACE	3'-0"	7'-0"	1 3/4"	4	ALUM						Yes	Yes	
1ST FLOOR	110	RETAIL SPACE	3'-0"	7'-0"	1 3/4"	4	ALUM						Yes	Yes	
1ST FLOOR	111	RETAIL SPACE	3'-0"	7'-0"	1 3/4"	4	ALUM		ALUM				Yes	Yes	
1ST FLOOR	112	RETAIL SPACE	3'-0"	7'-0"	1 3/4"	4	ALUM		ALUM				Yes	Yes	
1ST FLOOR	113	STAIR B	3'-0"	7'-0"	1 3/4"	3	HM	PTD	ALUM	MTL	PTD	1-1/2 HR	Yes	Yes	
1ST FLOOR	114	ELEV. MACHINE	3'-0"	7'-0"	1 3/4"	1	HM	PTD		MTL	PTD	1-1/2 HR	Yes	Yes	
2ND FLOOR															
2ND FLOOR	201	STAIR B	3'-0"	7'-0"	1 3/4"	3	HM	PTD	ALUM	MTL	PTD	1-1/2 HR	Yes	Yes	
2ND FLOOR	202	STAIR A	3'-0"	7'-0"	1 3/4"	3	HM	PTD	ALUM	MTL	PTD	1-1/2 HR	Yes	Yes	
3RD FLOOR															
3RD FLOOR	301	STAIR B	3'-0"	7'-0"	1 3/4"	3	HM	PTD	ALUM	MTL	PTD	1-1/2 HR	Yes	Yes	
3RD FLOOR	302	STAIR A	3'-0"	7'-0"	1 3/4"	3	HM	PTD	ALUM	MTL	PTD	1-1/2 HR	Yes	Yes	
4TH FLOOR															
4TH FLOOR	401	STAIR B	3'-0"	7'-0"	1 3/4"	3	HM	PTD	ALUM	MTL	PTD	1-1/2 HR	Yes	Yes	
4TH FLOOR	402	STAIR A	3'-0"	7'-0"	1 3/4"	3	HM	PTD	ALUM	MTL	PTD	1-1/2 HR	Yes	Yes	
5TH FLOOR															
5TH FLOOR	501	TENANT SPACE	3'-0"	7'-0"	1 3/4"	3	HM	PTD	ALUM	MTL	PTD	1-1/2 HR	Yes	Yes	
5TH FLOOR	502	TENANT SPACE	3'-0"	7'-0"	1 3/4"	3	HM	PTD	ALUM	MTL	PTD	1-1/2 HR	Yes	Yes	
5TH FLOOR	503	TENANT SPACE	3'-0"	7'-0"	1 3/4"	4	ALUM						Yes	Yes	
5TH FLOOR	504	TENANT SPACE	3'-0"	7'-0"	1 3/4"	4	ALUM						Yes	Yes	



3 | 1ST FLOOR - DOORS
1/32" = 1'-0"

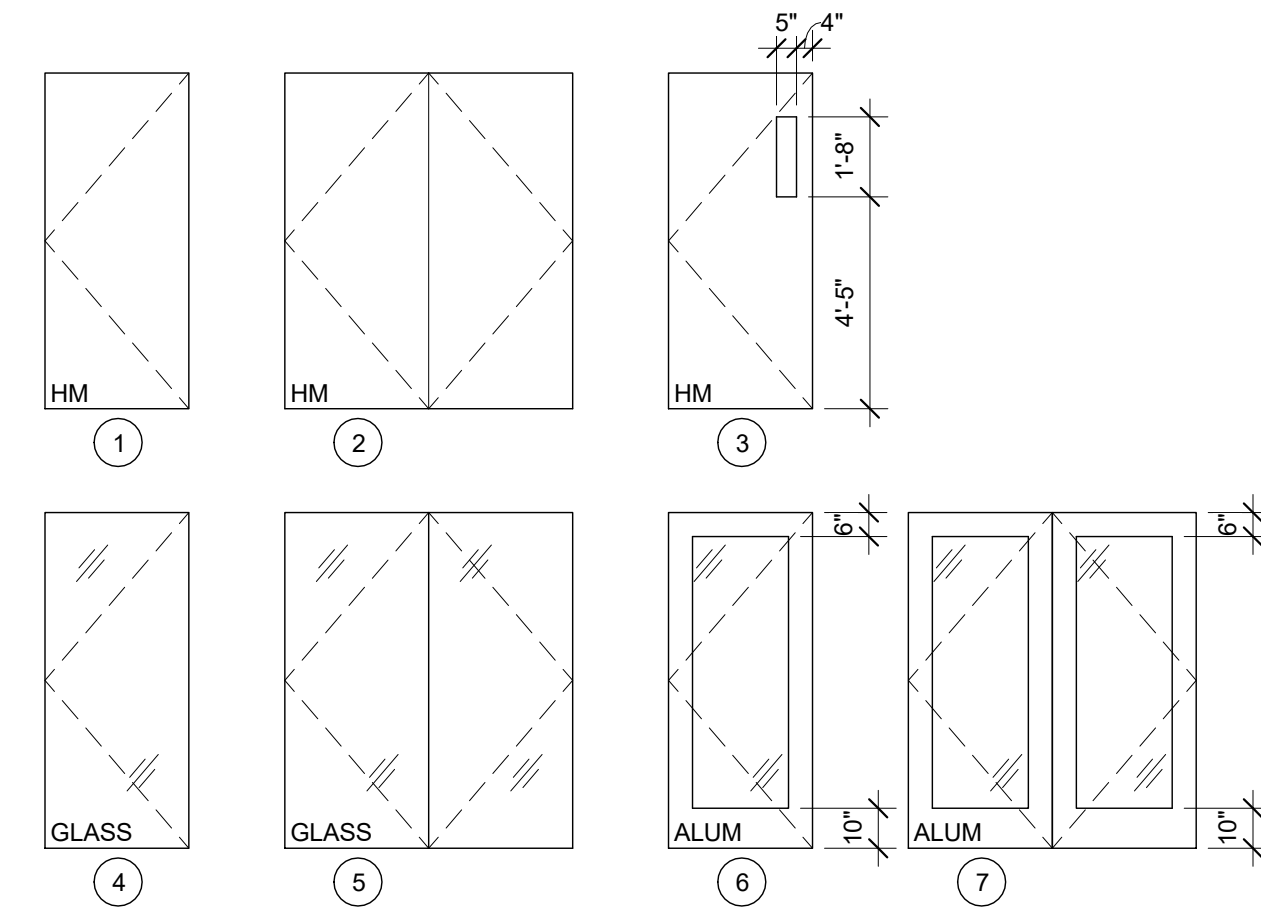


4 | 2ND, 3RD & 4TH FLOOR - DOORS
1/32" = 1'-0"

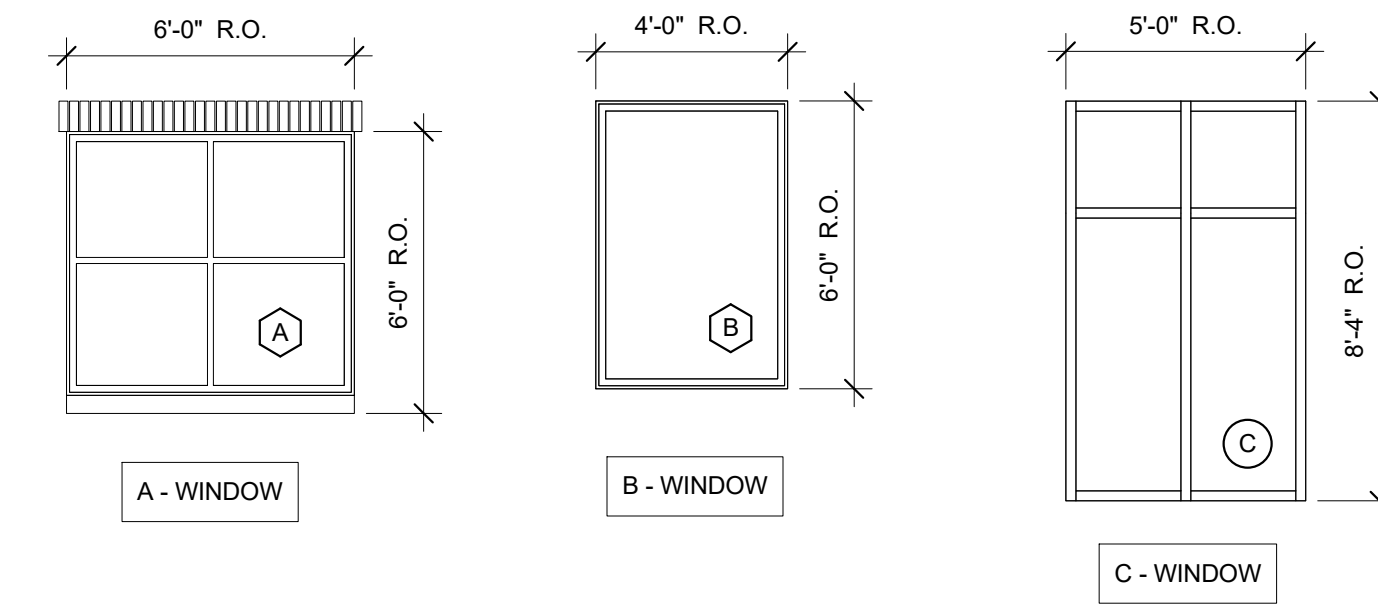


5 | 5TH FLOOR - DOORS
1/32" = 1'-0"

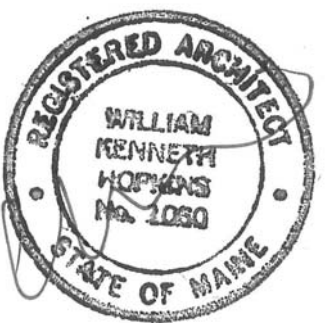
PUBLIC AREA DOORS



1 | LEAF TYPES
1/4" = 1'-0"



8 | WINDOW TYPES
1/4" = 1'-0"



Prepared For:
16 Middle Street Associates, LLC
P.O. Box 7486
Portland, ME 04112

Consultant:

Architect:
ARCHETYPE architects
48 Union Wharf Portland, Maine 04101
(207) 772-6022 ARCHETYPE@ARCHETYPEPA.COM

Project:

16 Middle Street
16 Middle Street
Portland, Maine

Revisions:

Date: June 3, 2016
Scale: As indicated
Door and Window Schedule

A8.01