



Prepared For:
**16 Middle Street
Associates, LLC**

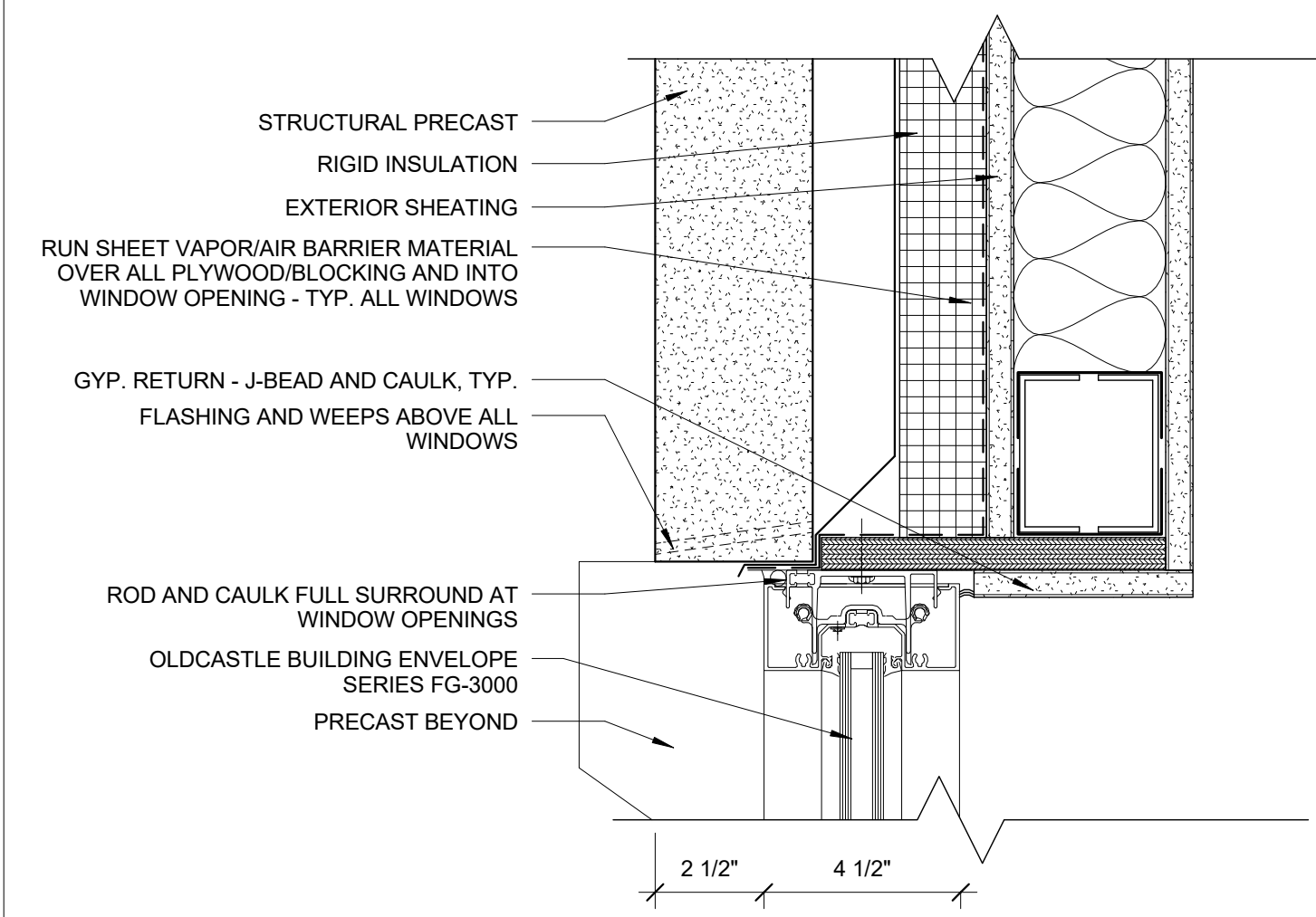
Architect:
**ARCHETYPE
architects**
48 Union Wharf Portland, Maine 04101
(207) 772-6022 ARCHETYPE@ARCHETYPEPA.COM

Project:
16 Middle Street
16 Middle Street
Portland, Maine

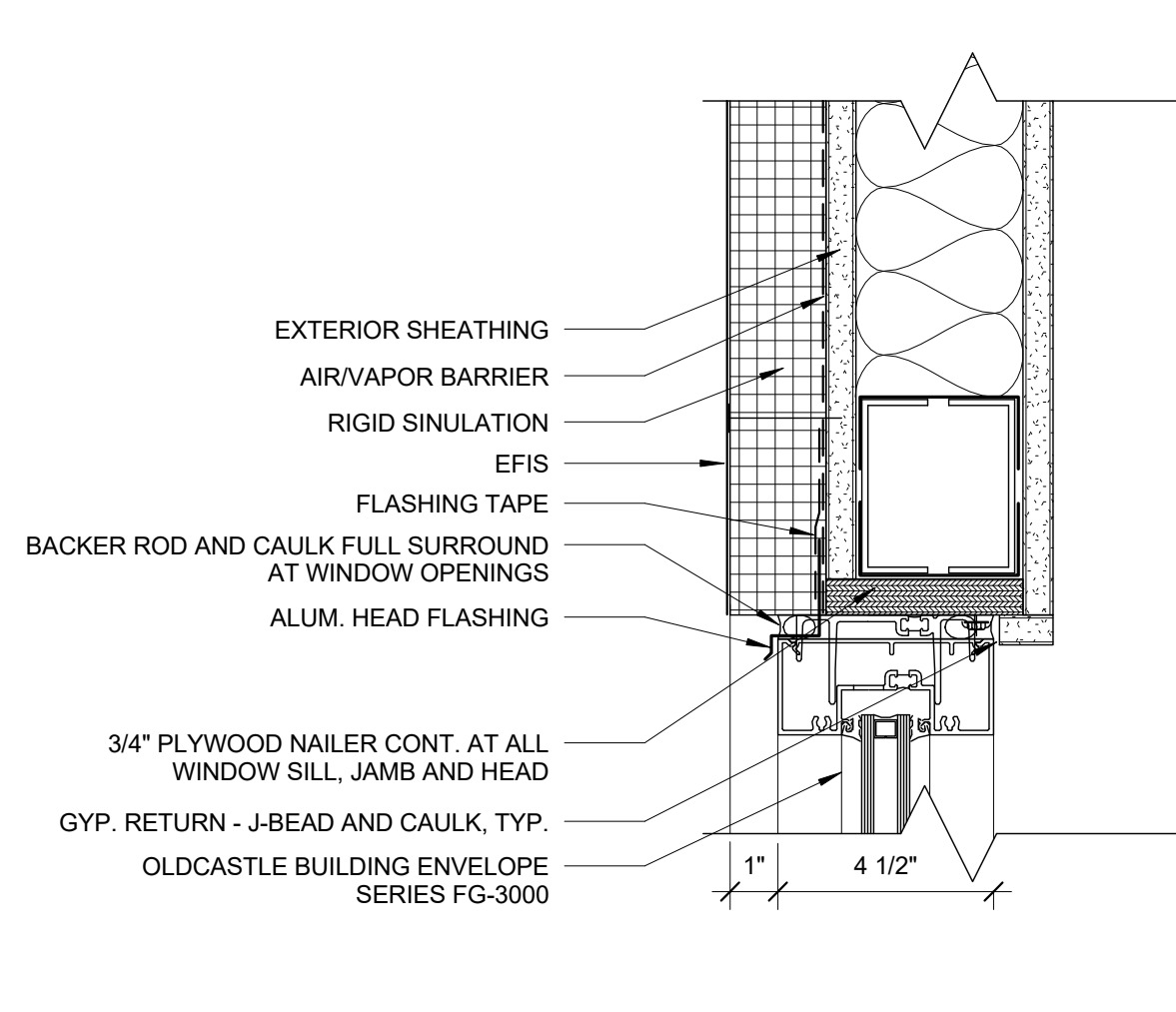
Revisions:

Date: **June 3, 2016**
Scale: **3" = 1'-0"**
Details

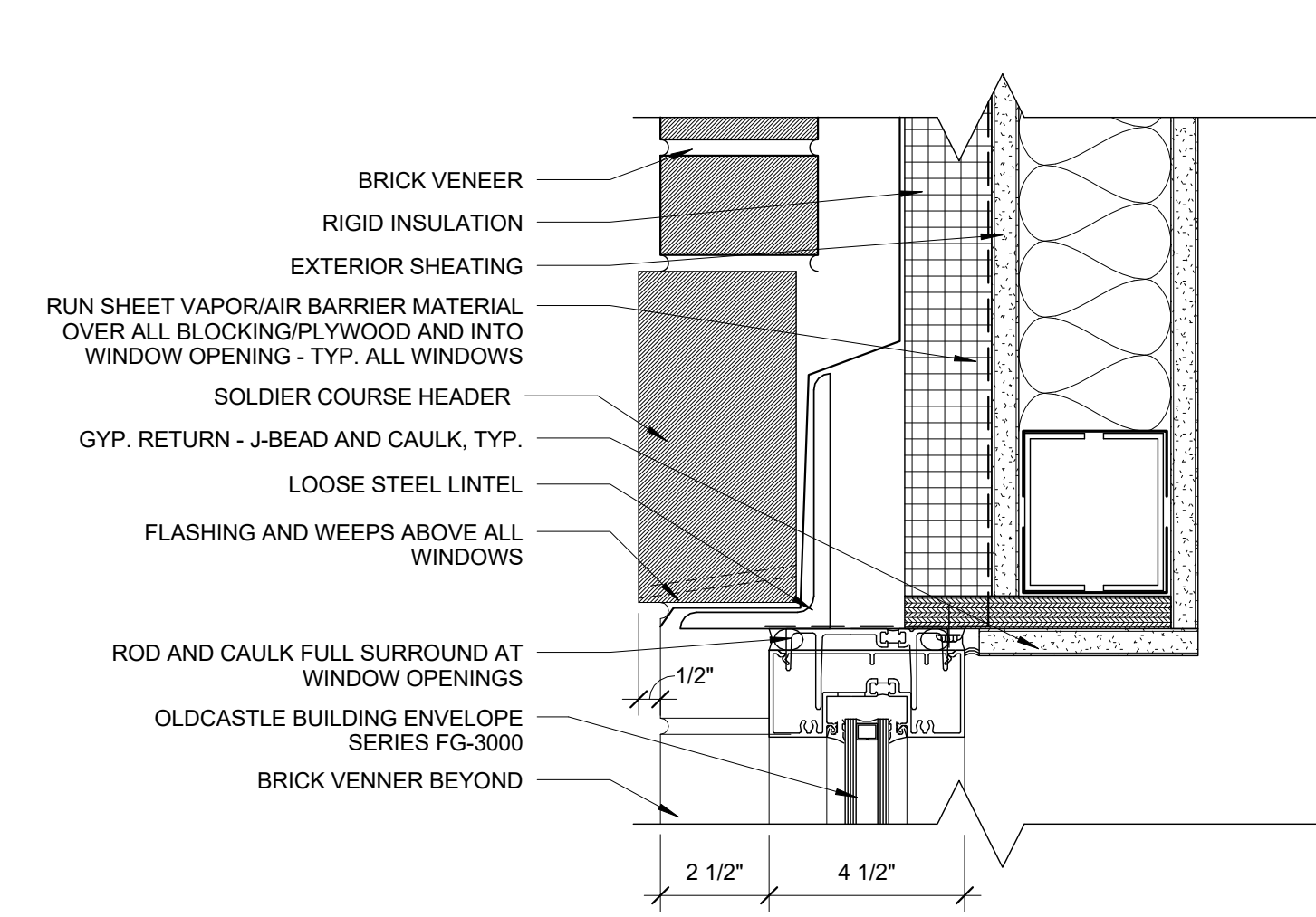
A5.01



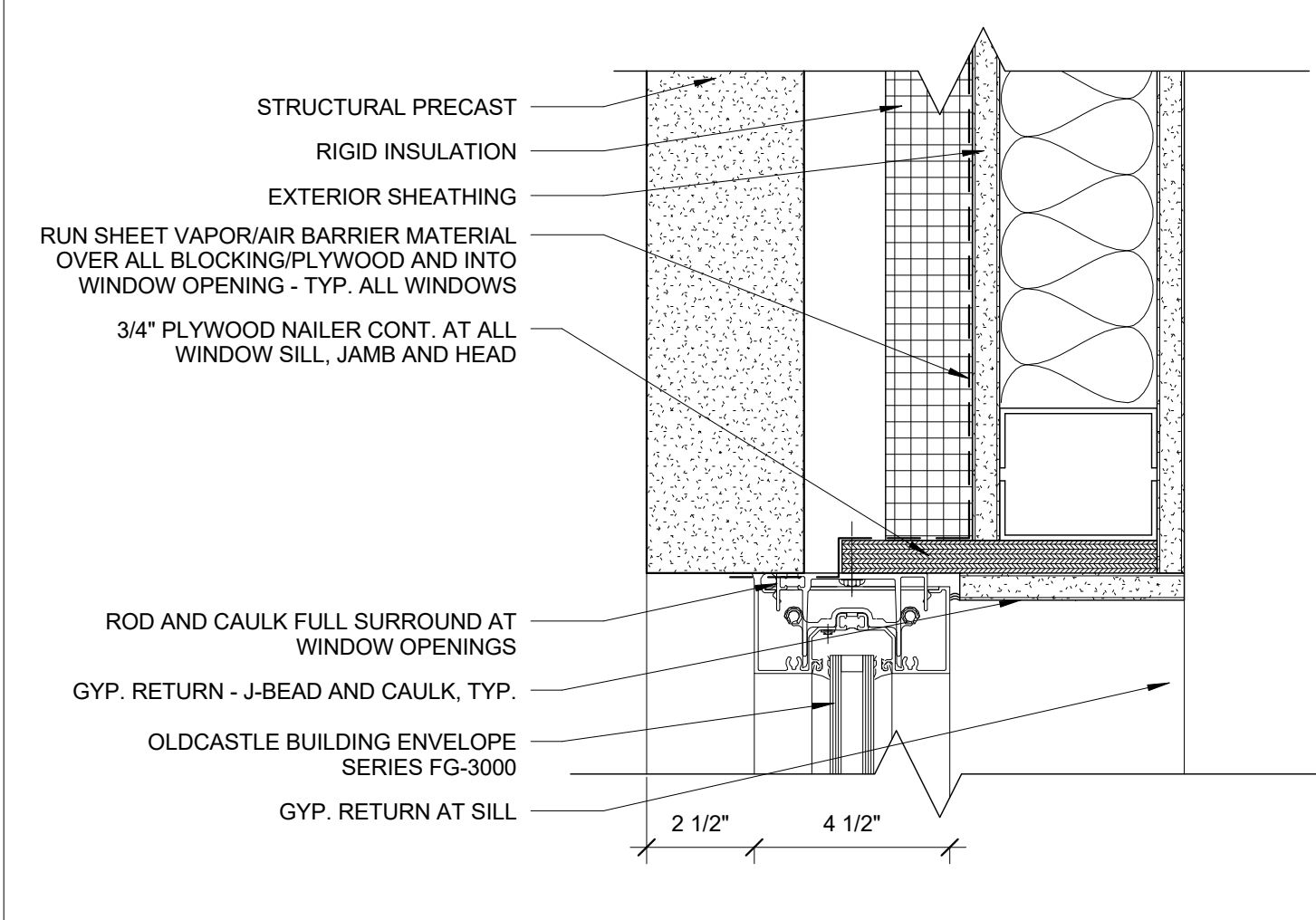
9 | TYP. WINDOW HEAD SECTION AT PRECAST WALL
3" = 1'-0"



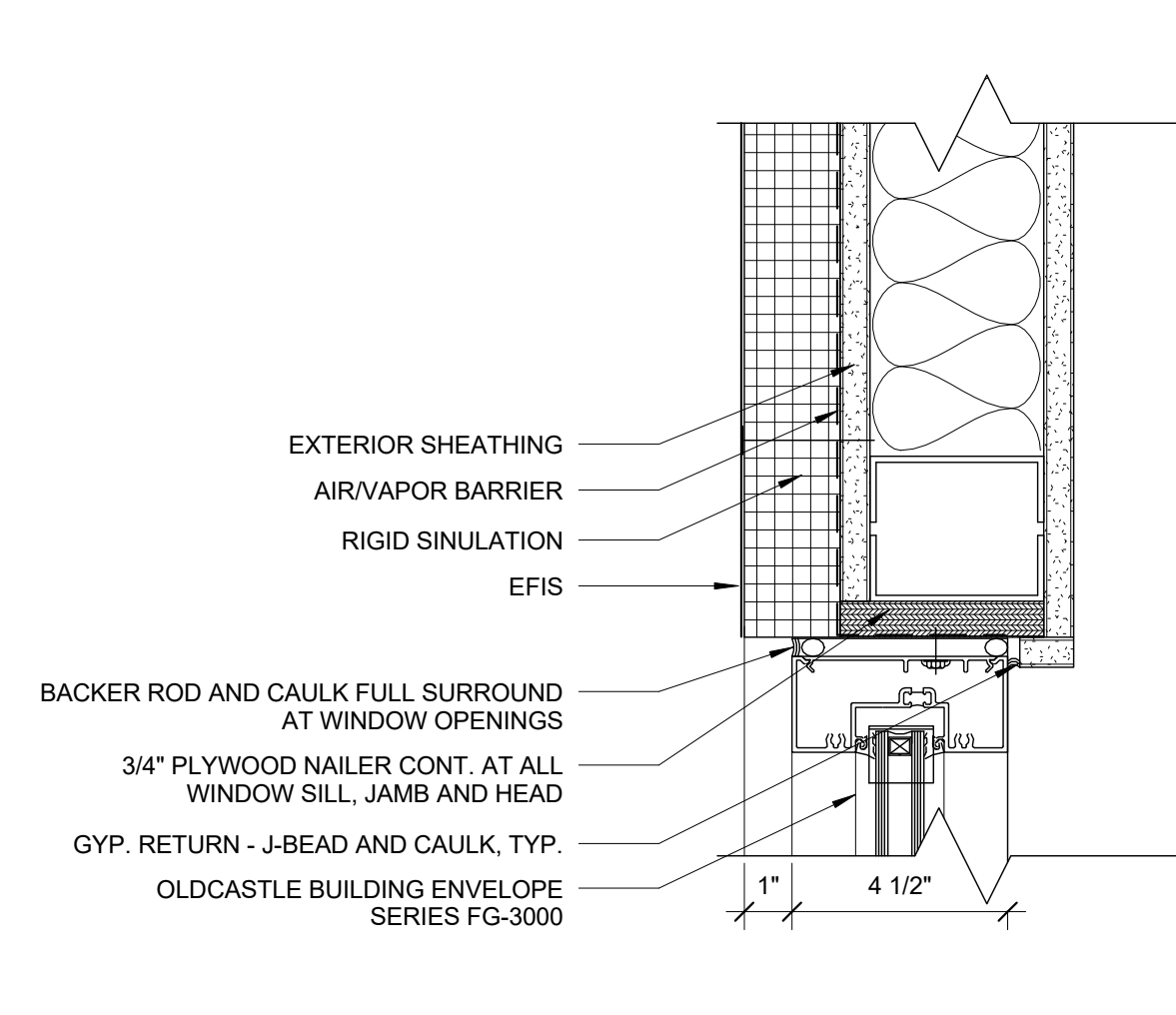
6 | TYP. WINDOW HEAD SECTION AT EFIS WALL
3" = 1'-0"



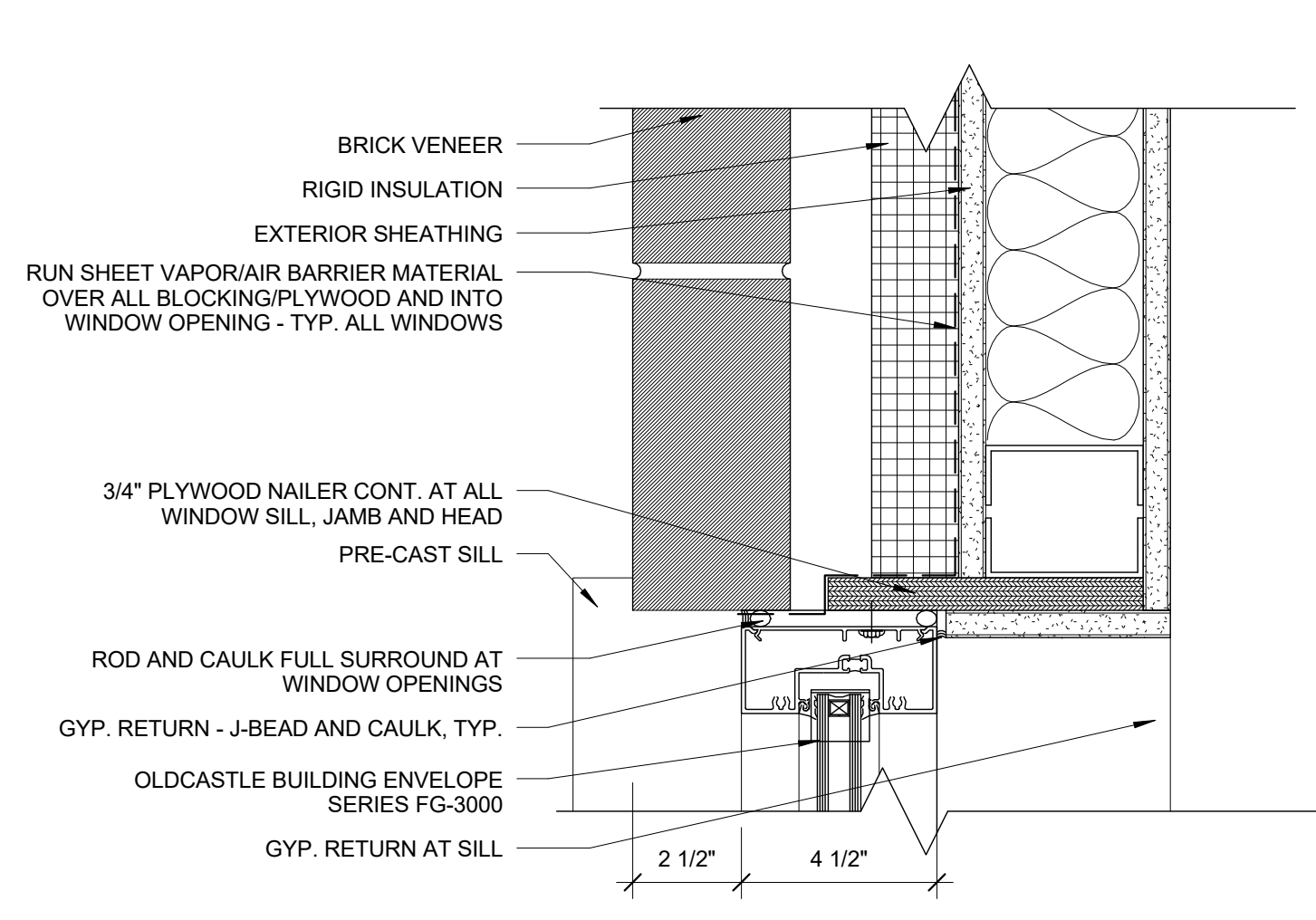
3 | TYP. WINDOW HEAD SECTION AT MASONRY WALL
3" = 1'-0"



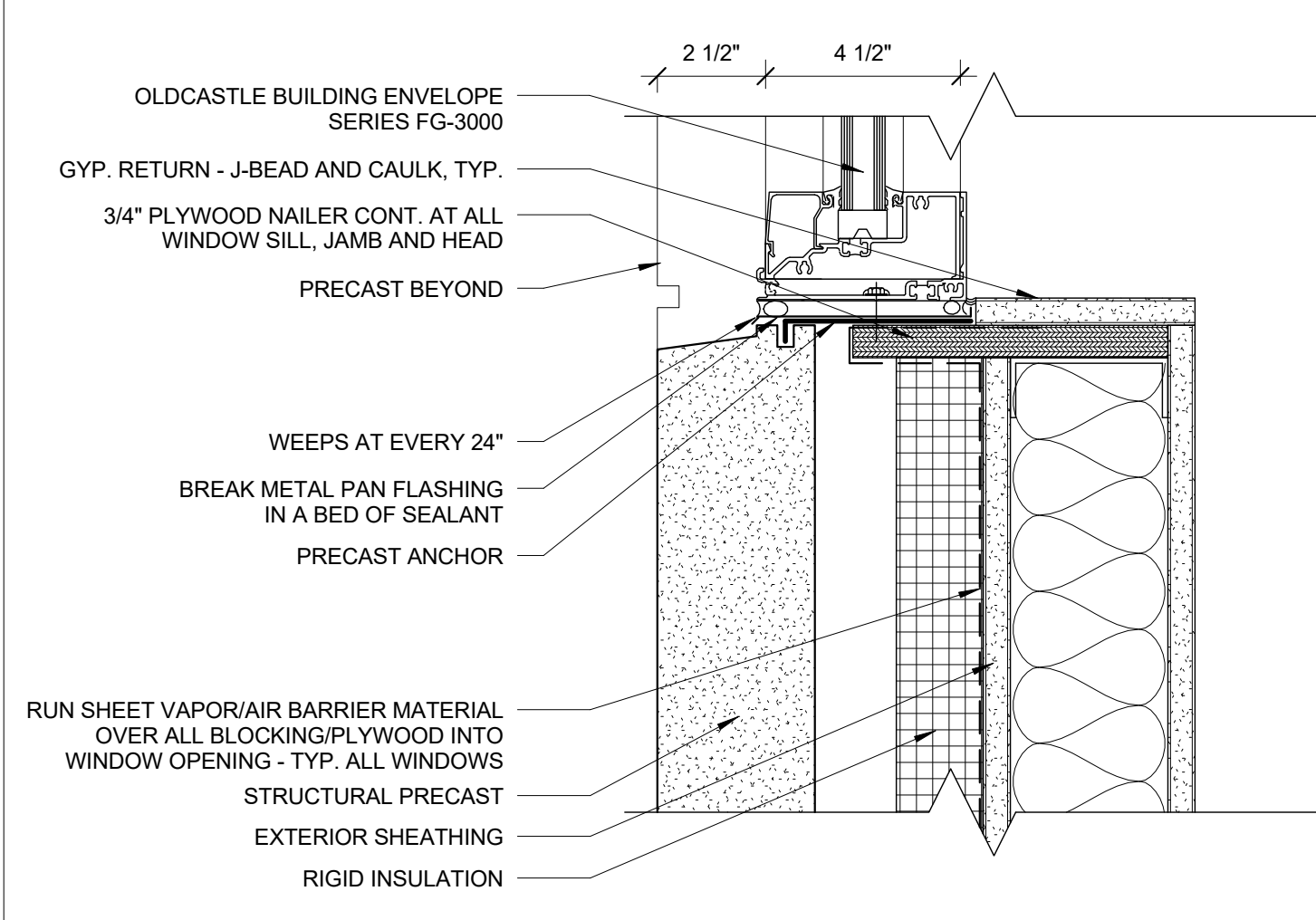
8 | TYP. WINDOW JAMB DETAIL AT PRECAST WALL
3" = 1'-0"



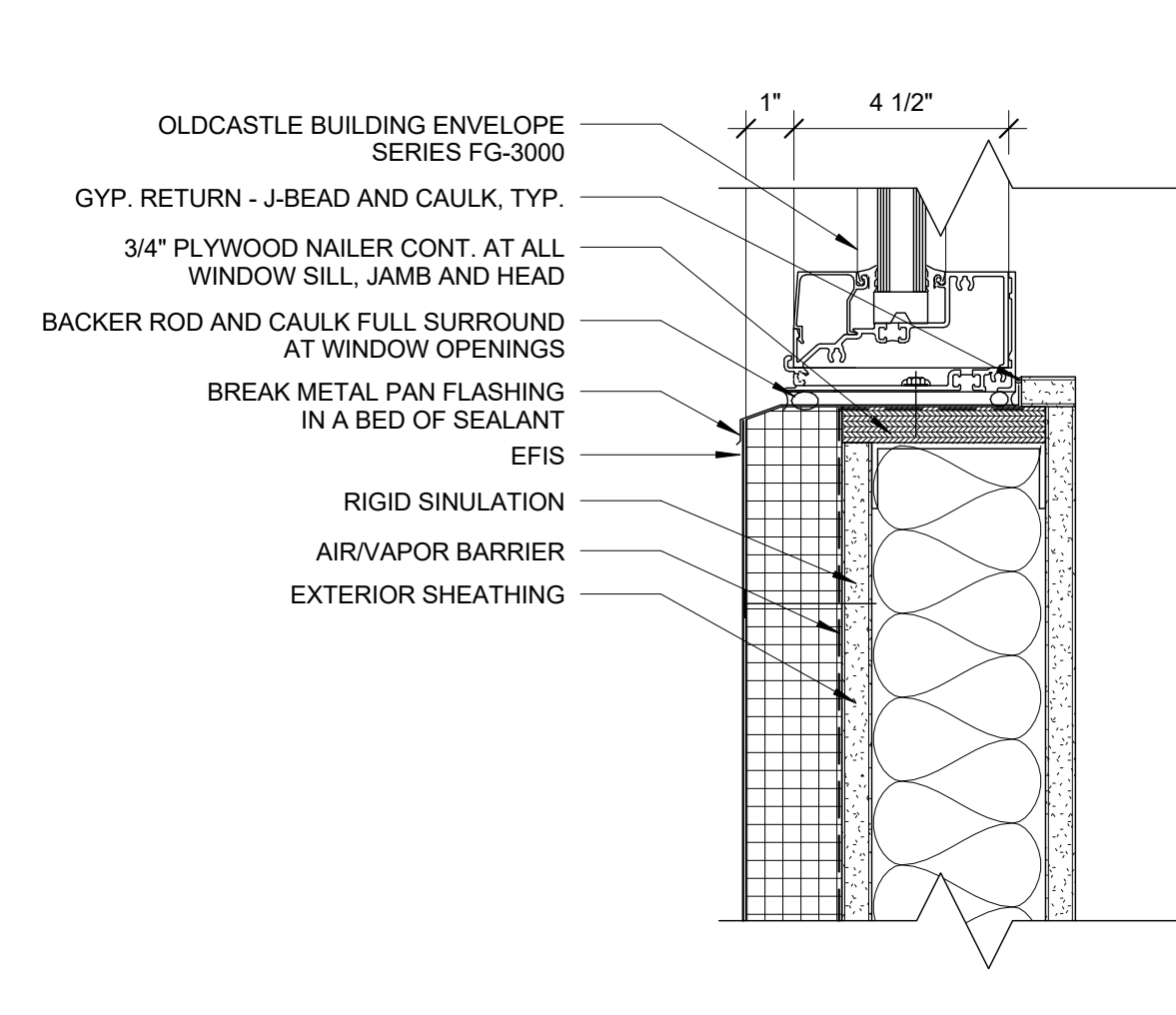
5 | TYP. WINDOW JAMB DETAIL AT EFIS WALL
3" = 1'-0"



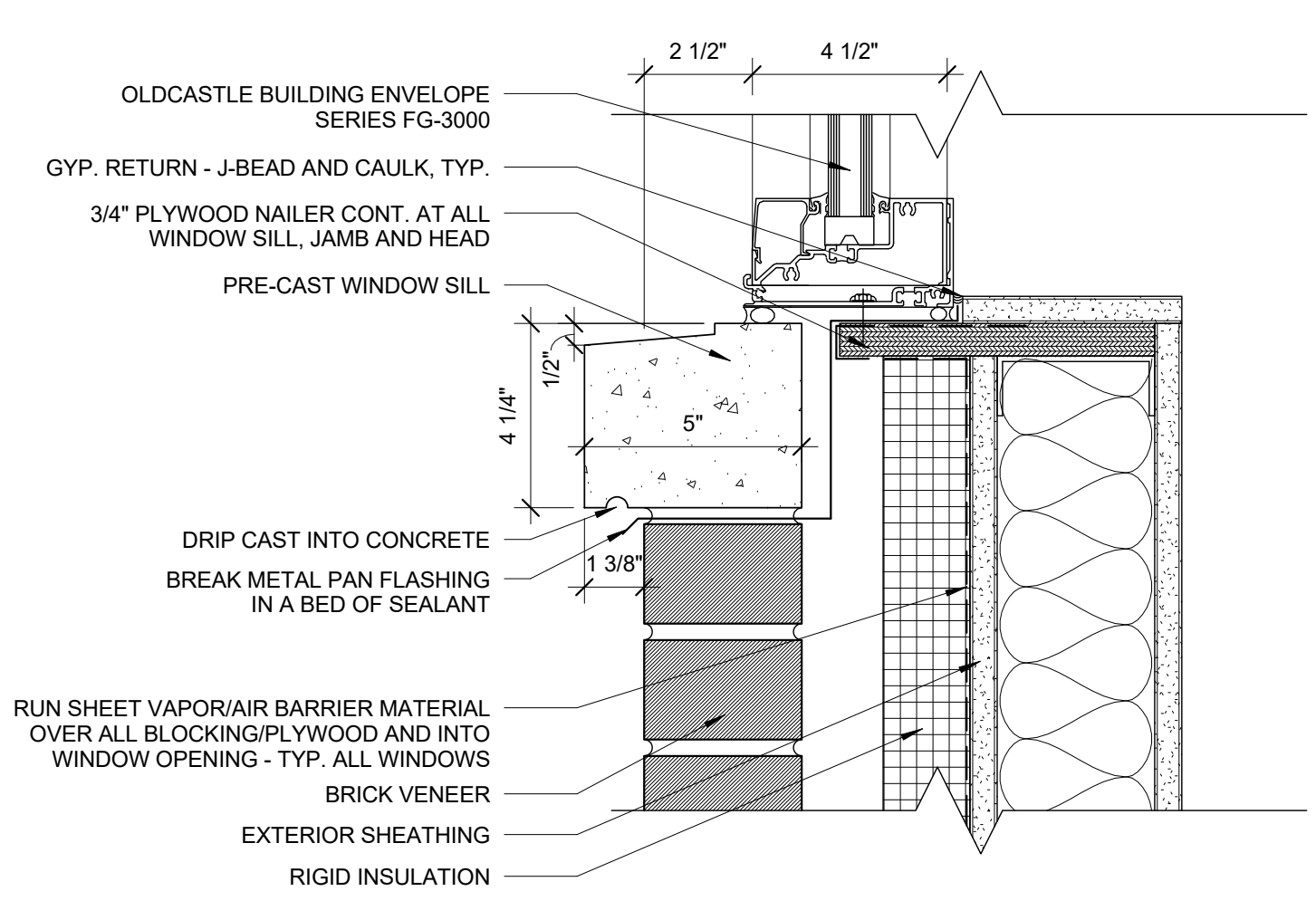
2 | TYP. WINDOW JAMB DETAIL AT MASONRY WALL
3" = 1'-0"



7 | TYP. WINDOW SILL DETAIL AT PRECAST WALL
3" = 1'-0"



4 | TYP. WINDOW SILL DETAIL AT EFIS WALL
3" = 1'-0"



1 | TYP. WINDOW SILL DETAIL AT MASONRY WALL
3" = 1'-0"

06.03.15 - FOR PERMIT