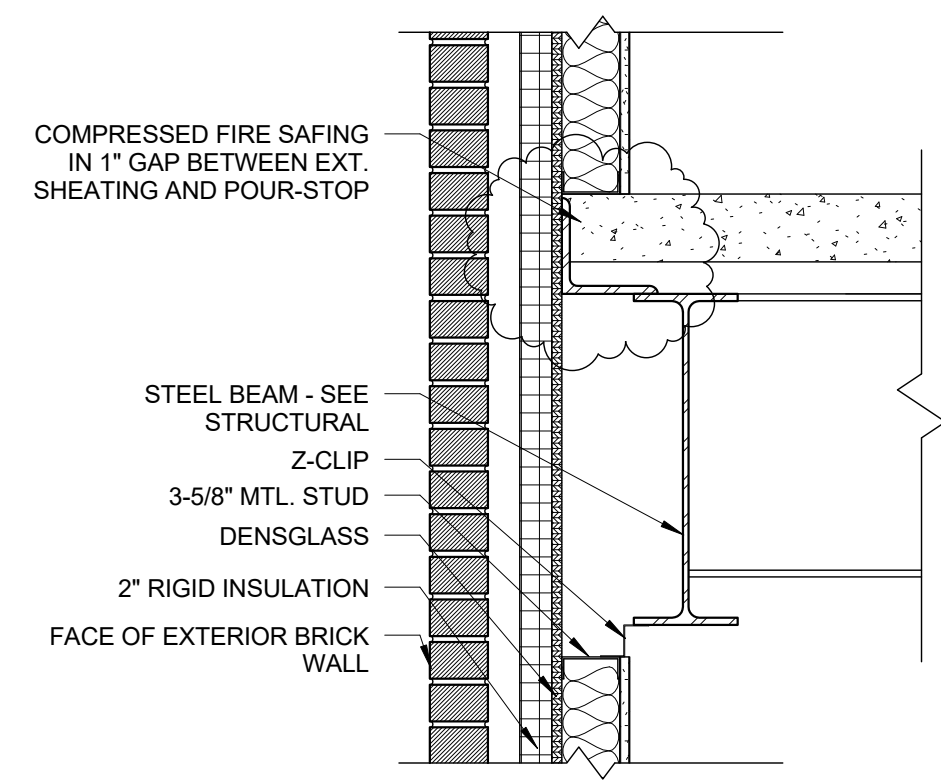
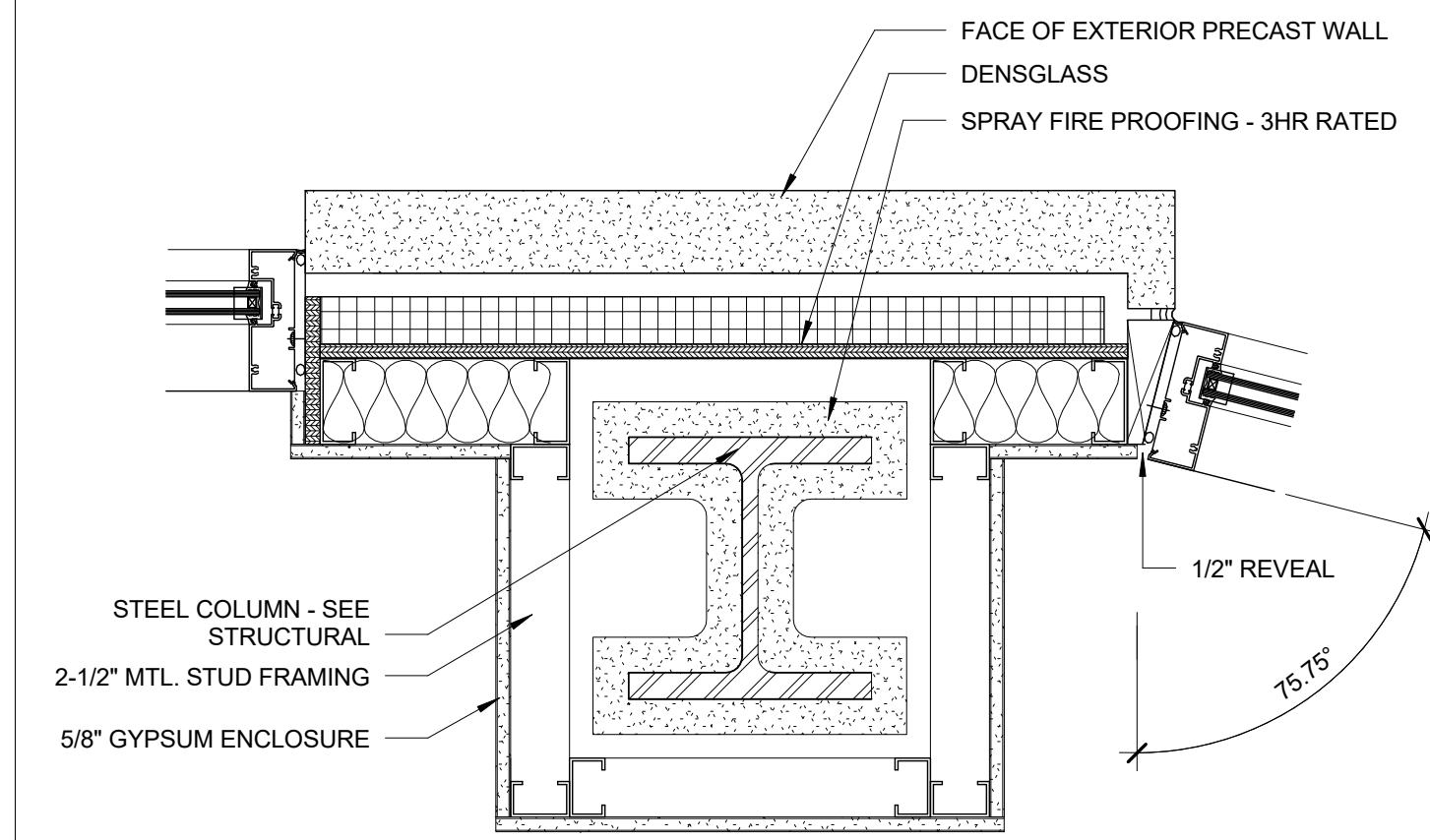


**11** TYPICAL STOREFRONT HEAD AT PARAPET DETAIL  
1 1/2" = 1'-0"

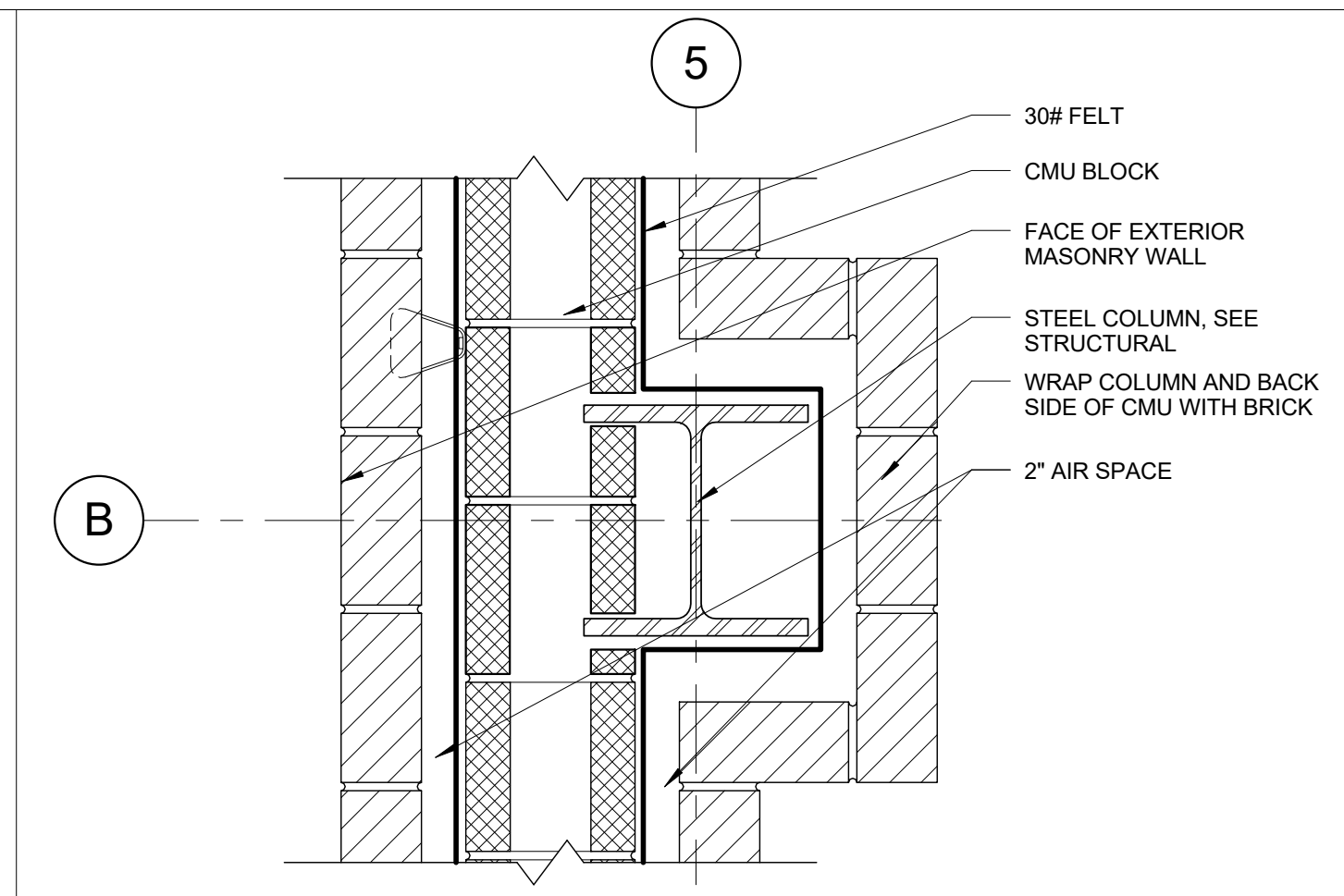
**14** HEADER DETAIL AND DRIVE-THRU  
1 1/2" = 1'-0"



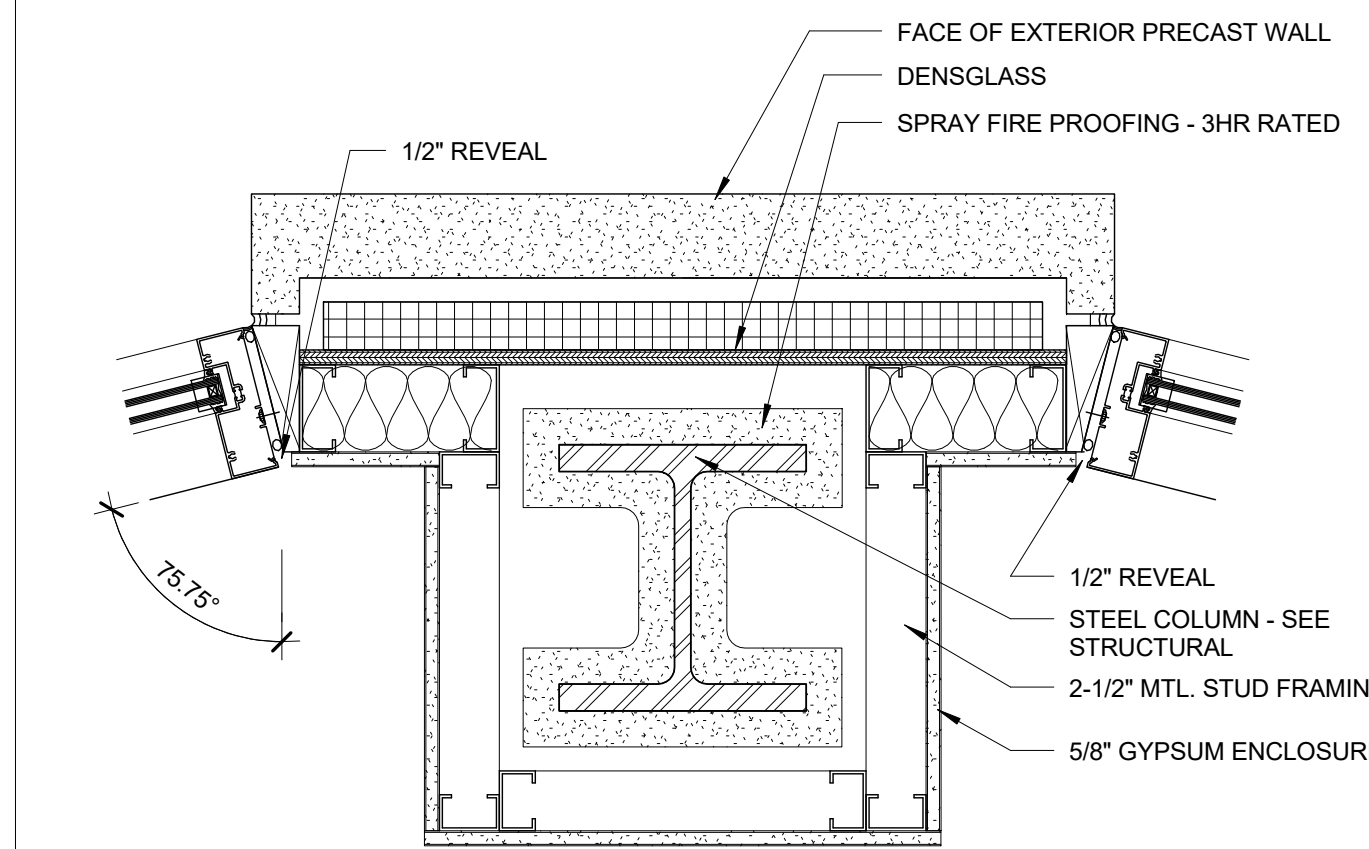
**12** EXTERIOR WALL DETAIL AT FLOOR ASSEMBLY  
1" = 1'-0"



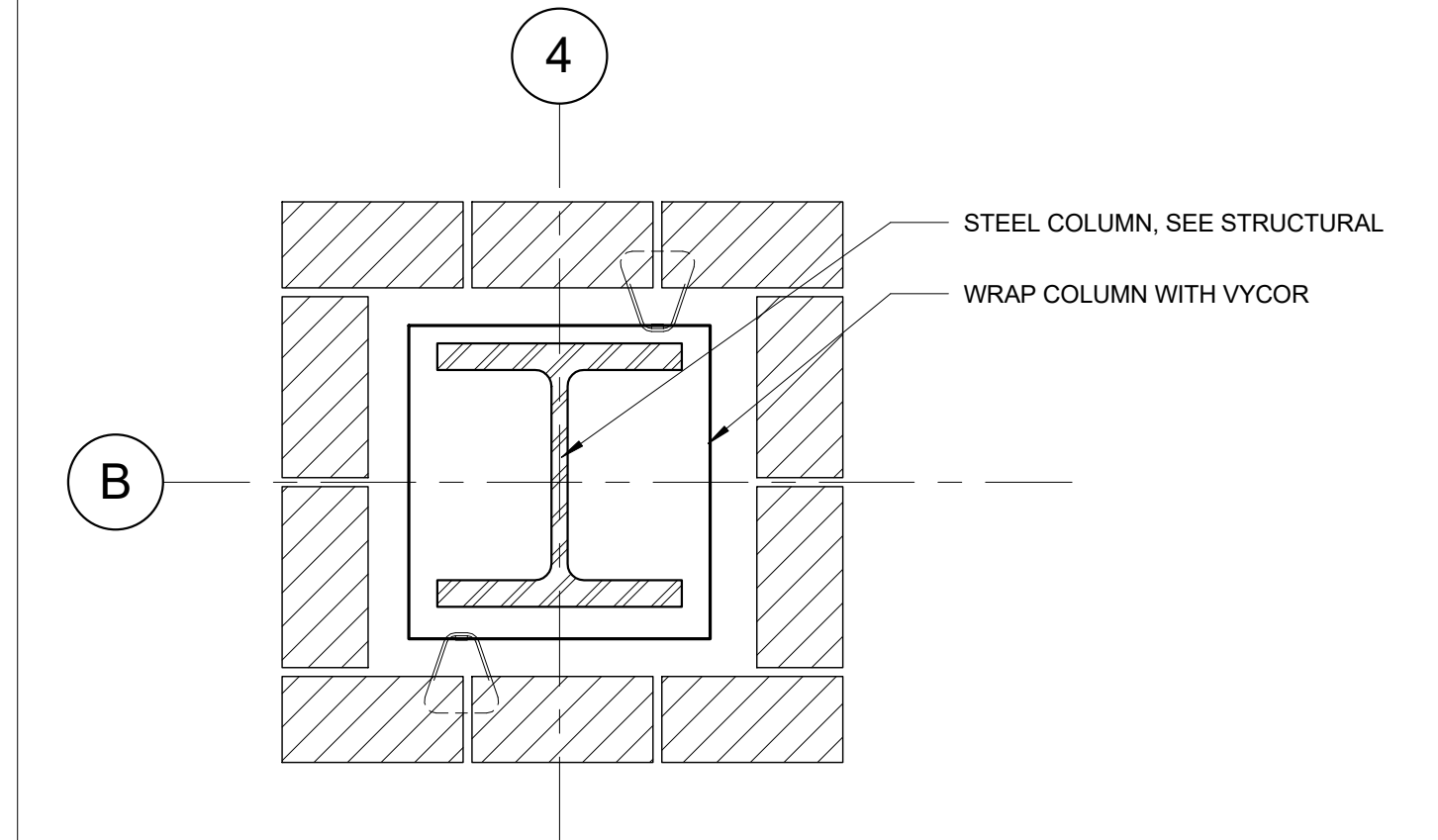
**8** COLUMN DETAIL 8  
1 1/2" = 1'-0"



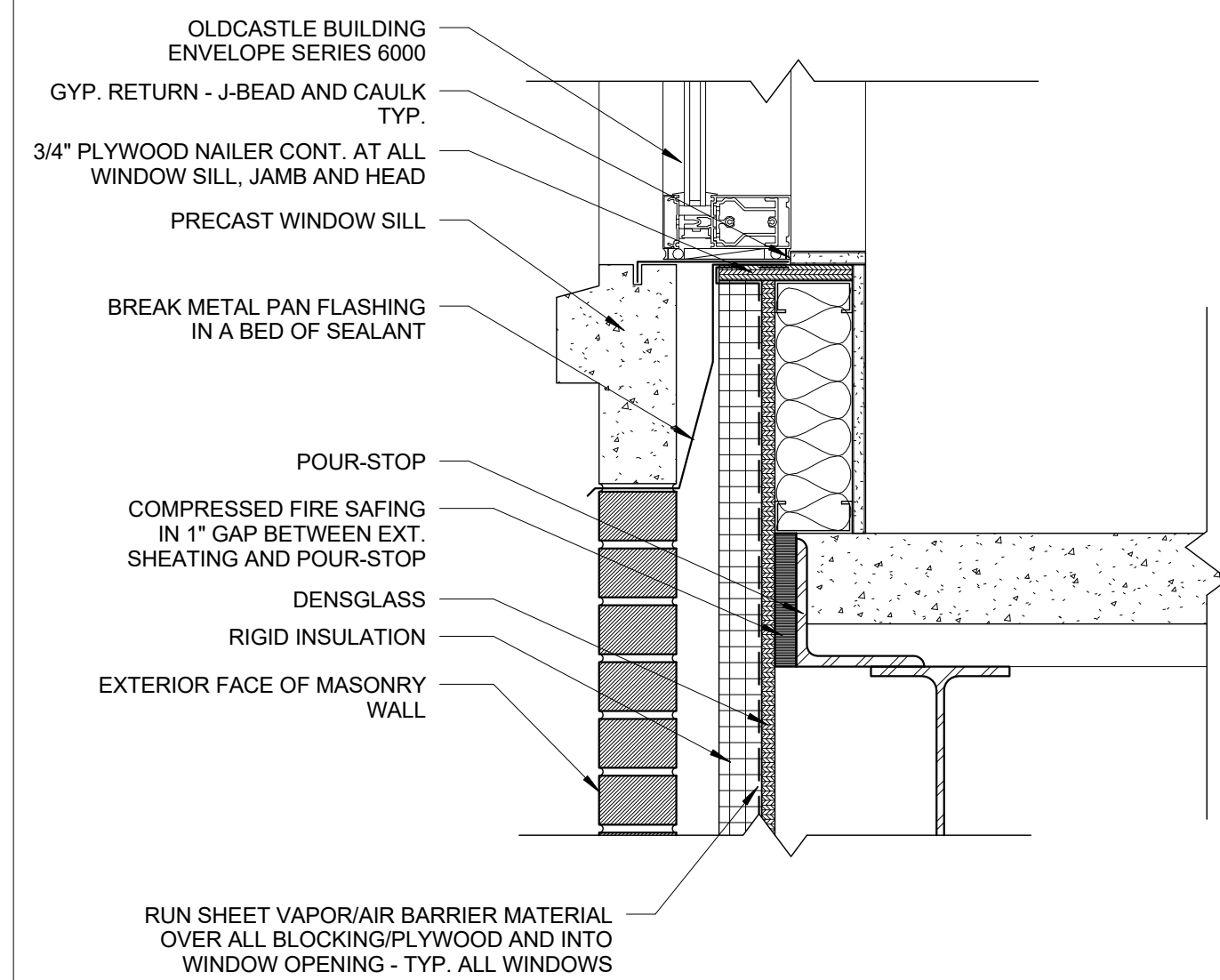
**4** COLUMN DETAIL 4  
1 1/2" = 1'-0"



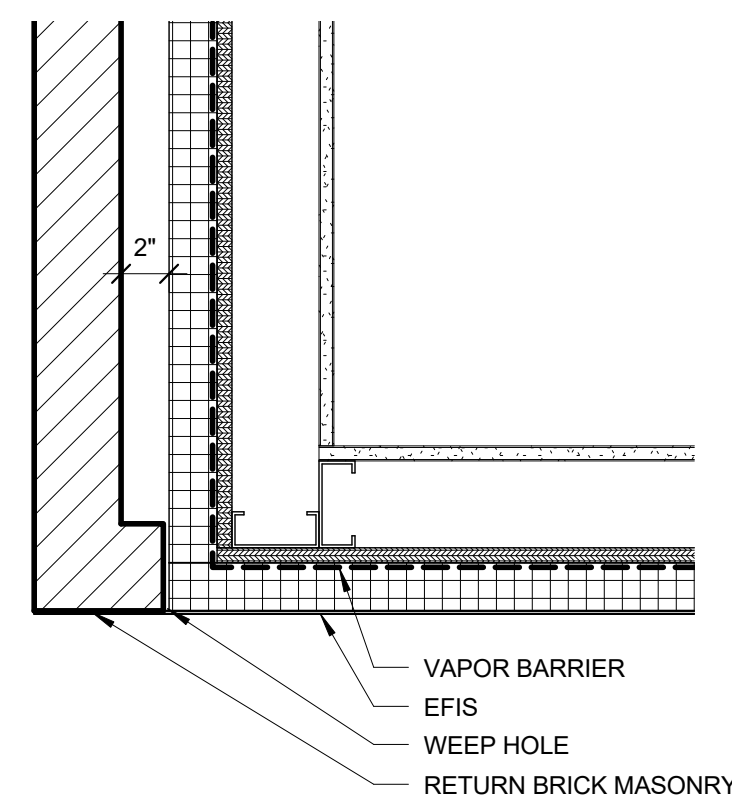
**7** COLUMN DETAIL 7  
1 1/2" = 1'-0"



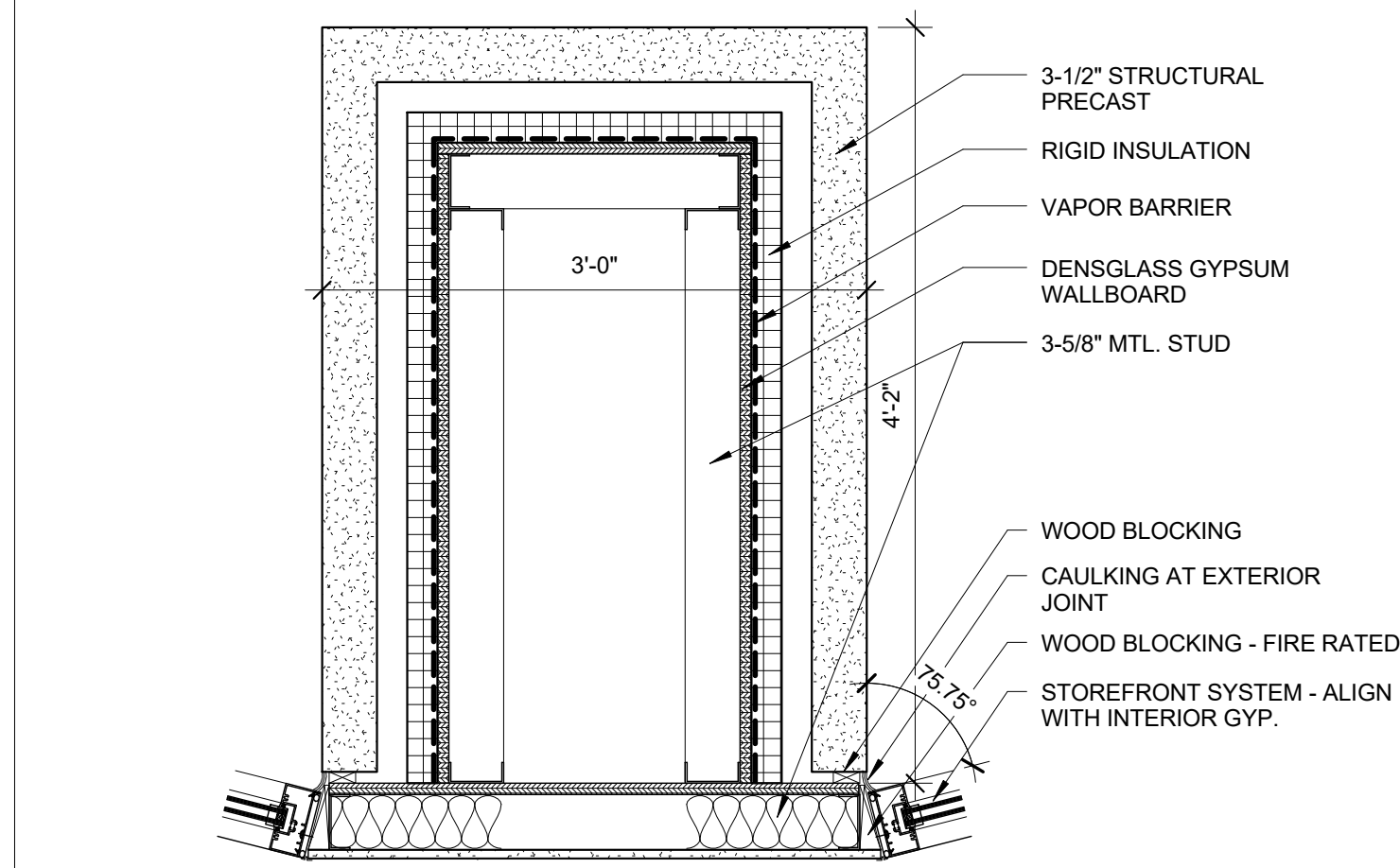
**3** COLUMN DETAIL 3  
1 1/2" = 1'-0"



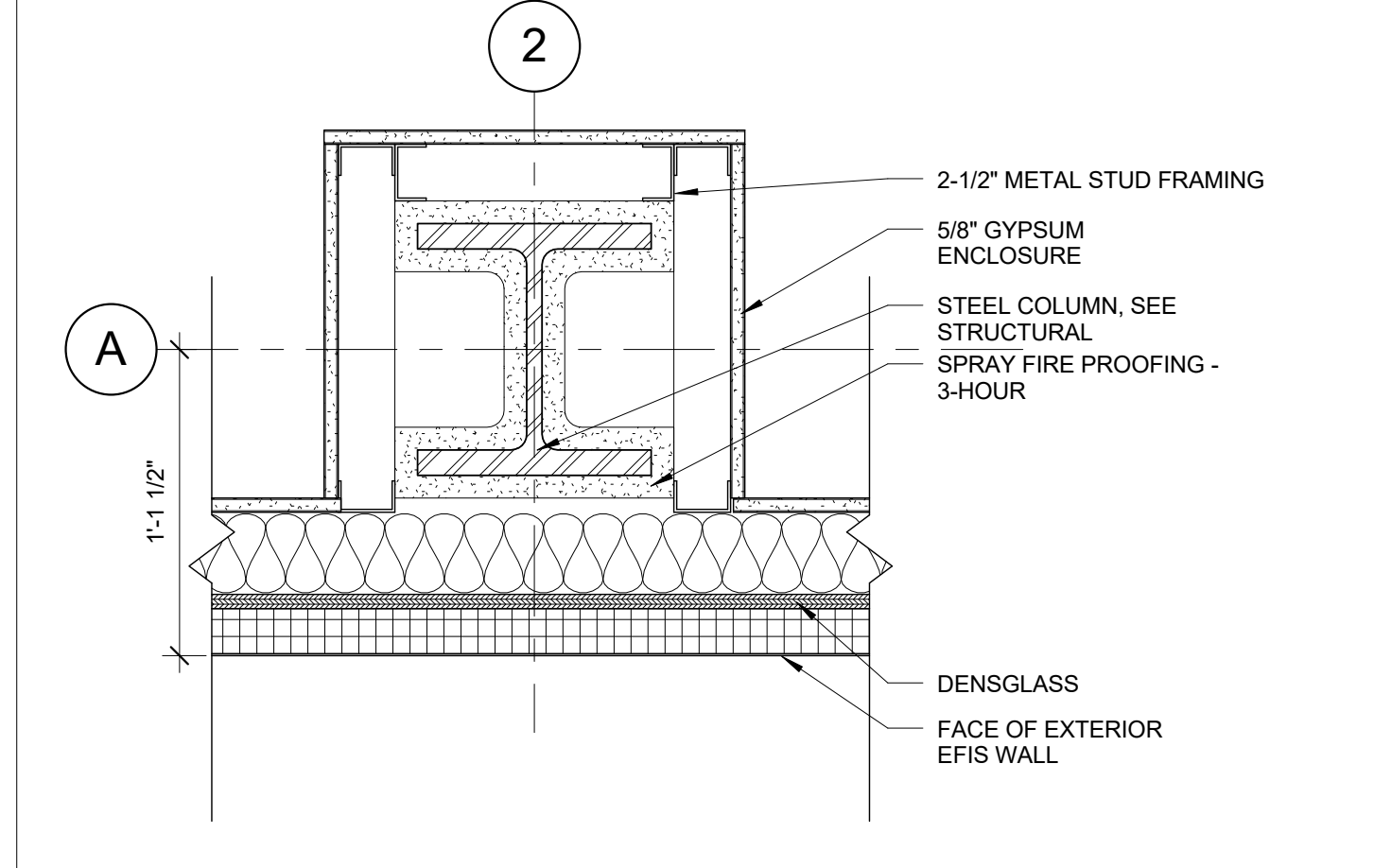
**13** TYP. STOREFRONT SILL AT MASONRY WALL  
1 1/2" = 1'-0"



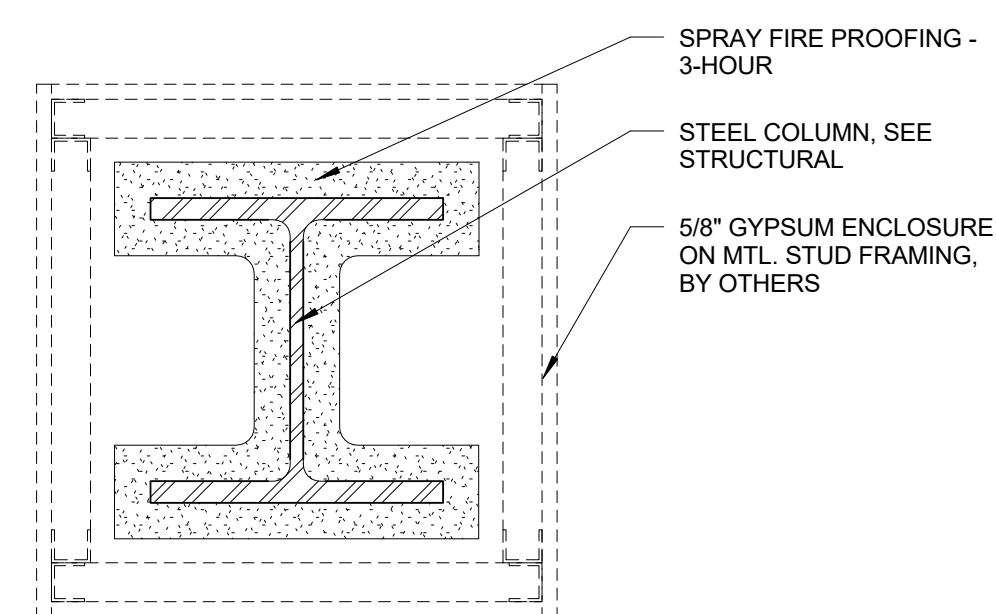
**10** CORNER TRANSITION AT MASONRY AND EFIS  
1 1/2" = 1'-0"



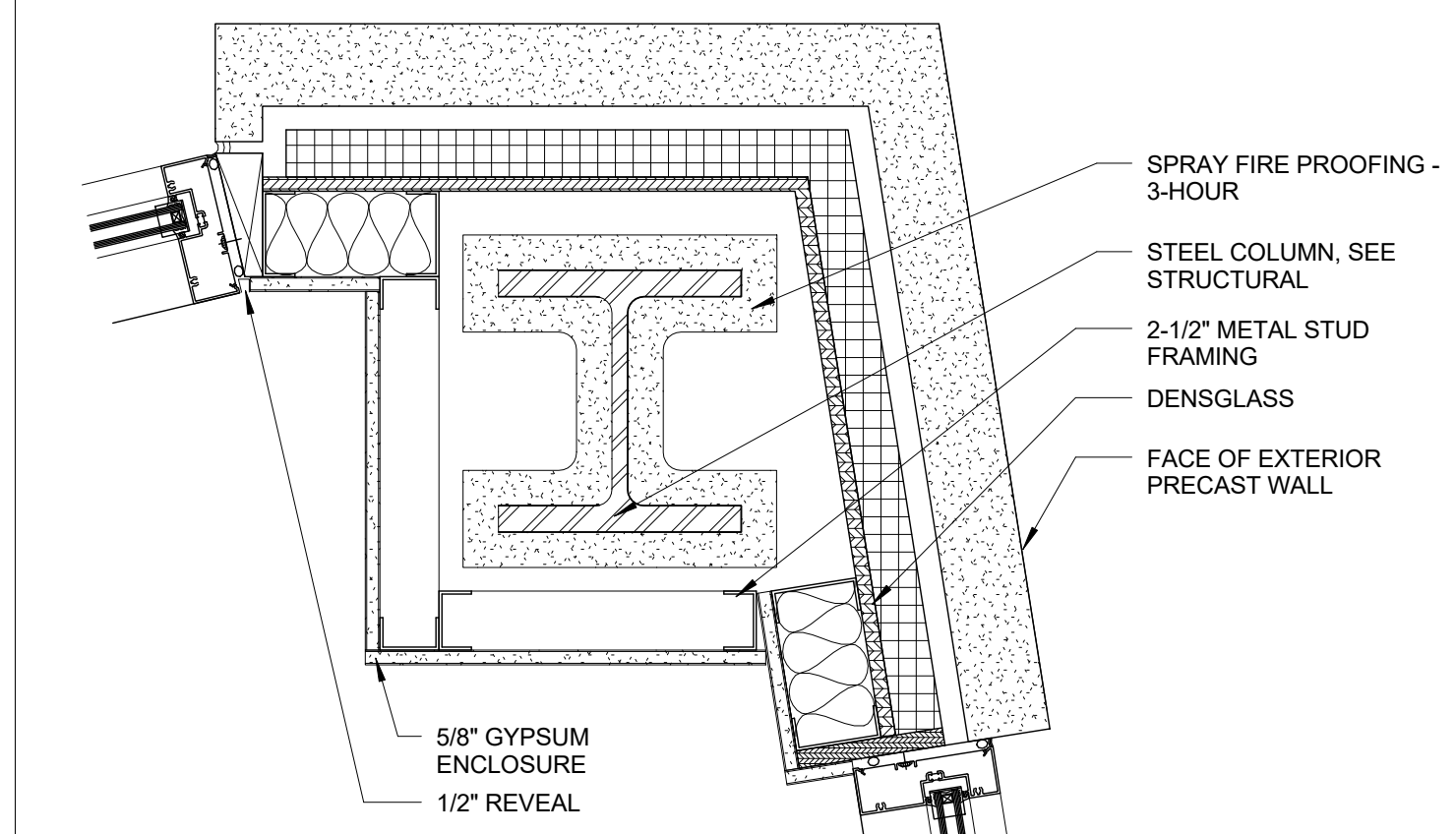
**6** COLUMN DETAIL 6  
1" = 1'-0"



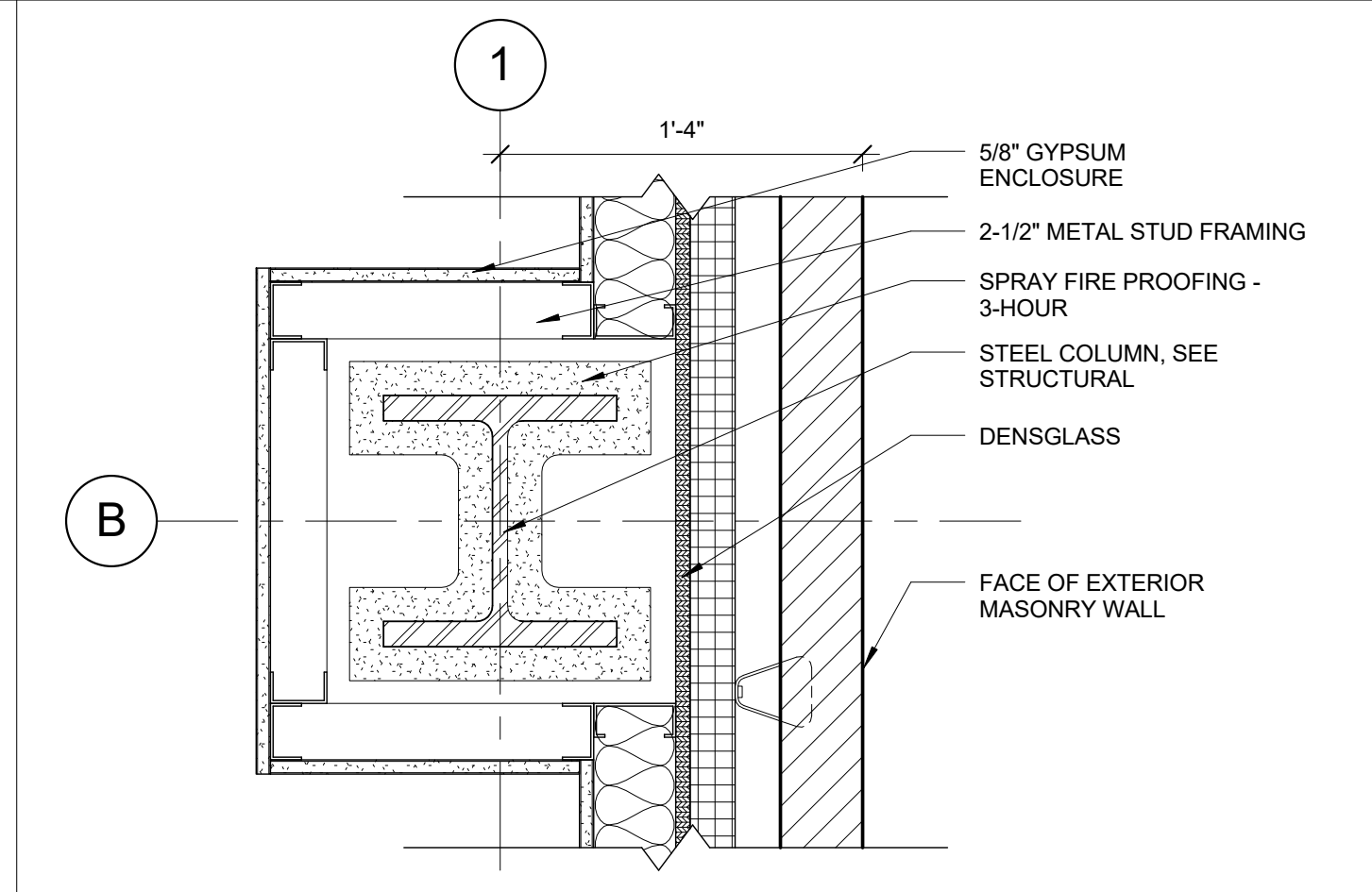
**2** COLUMN DETAIL 2  
1 1/2" = 1'-0"



**9** COLUMN DETAIL 9  
1 1/2" = 1'-0"



**5** COLUMN DETAIL 5  
1 1/2" = 1'-0"



**1** COLUMN DETAIL 1  
1 1/2" = 1'-0"



Prepared For:  
**16 Middle Street  
Associates, LLC**  
Address  
City, State

Consultant:  
**ARCHETYPE  
architects**  
48 Union Wharf Portland, Maine 04101  
(207) 772-0022 ARCHETYPE@ARCHETYPEPA.COM

Project:  
**16 Middle Street  
Portland, Maine**

Revisions:  
1 Date 1 Revision 1

Scale:  
As indicated  
**Details**

Date:  
June 3, 2016

**A5.00**