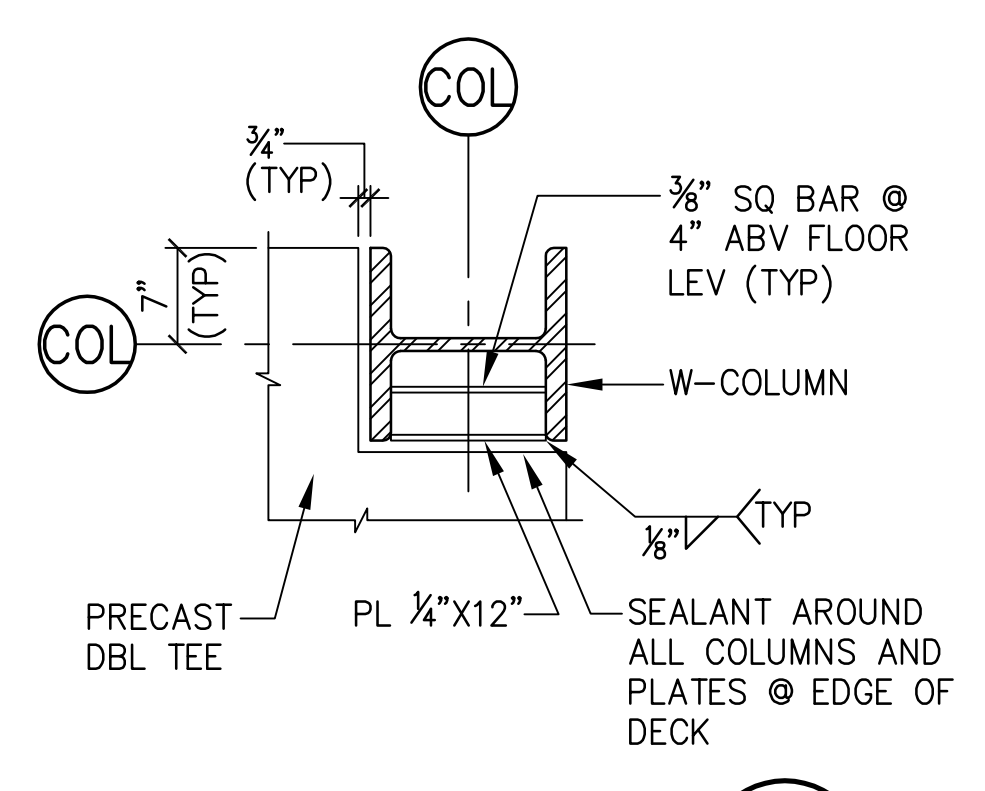
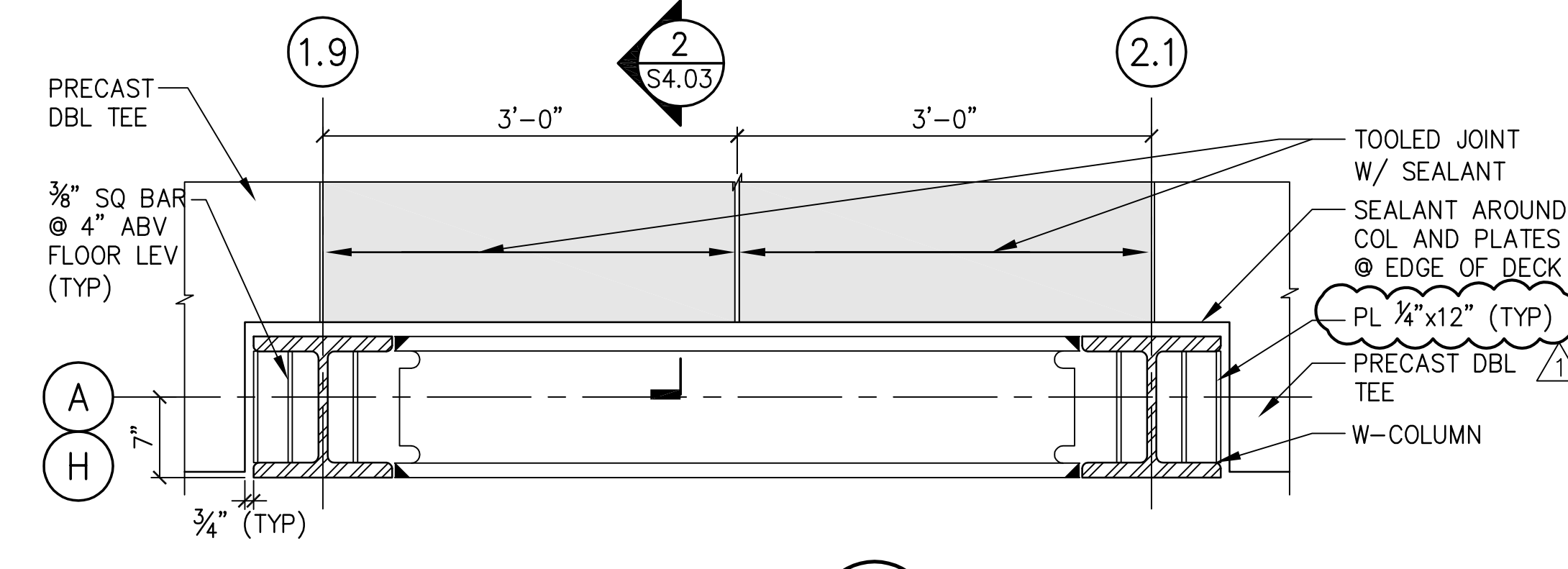


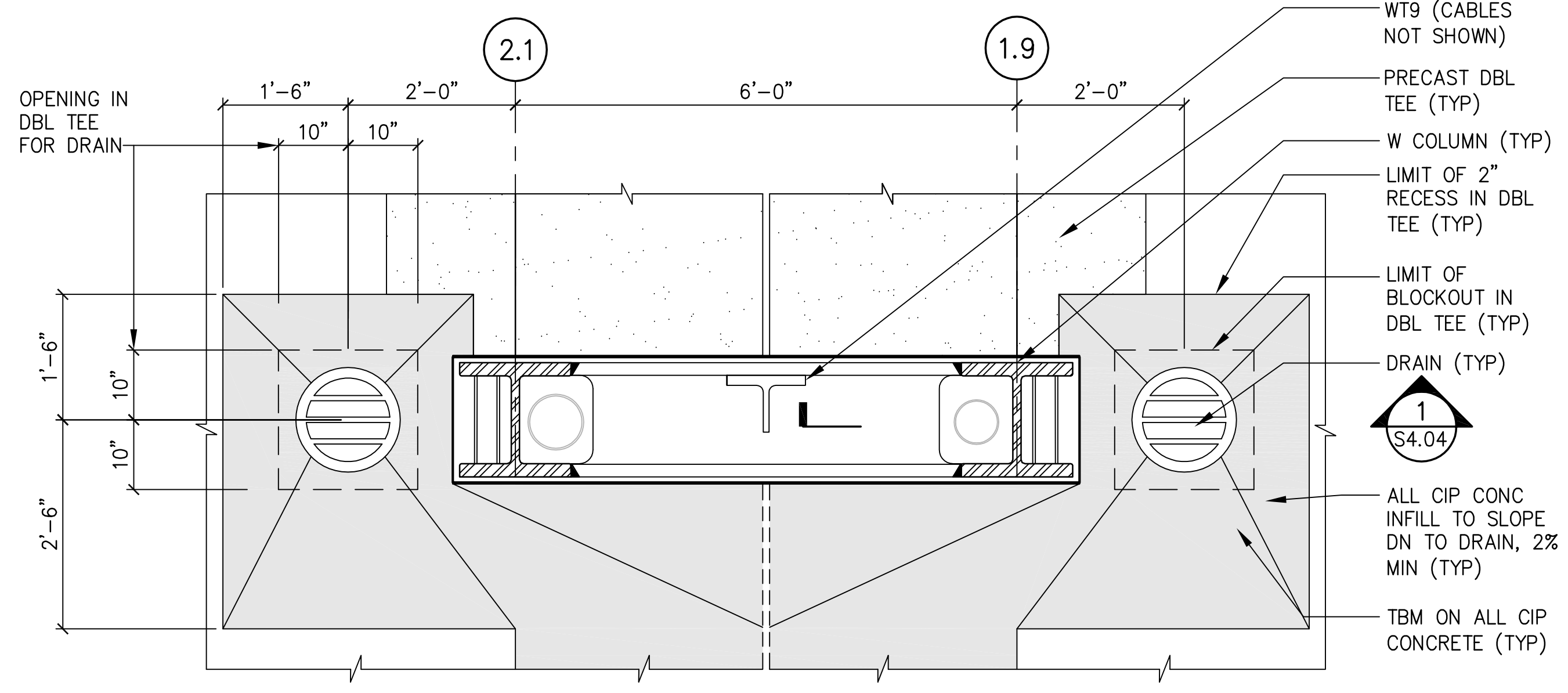
DETAIL A
1" = 1'-0"
S1.02, S1.03, S1.04
S1.05, S1.06, S1.07



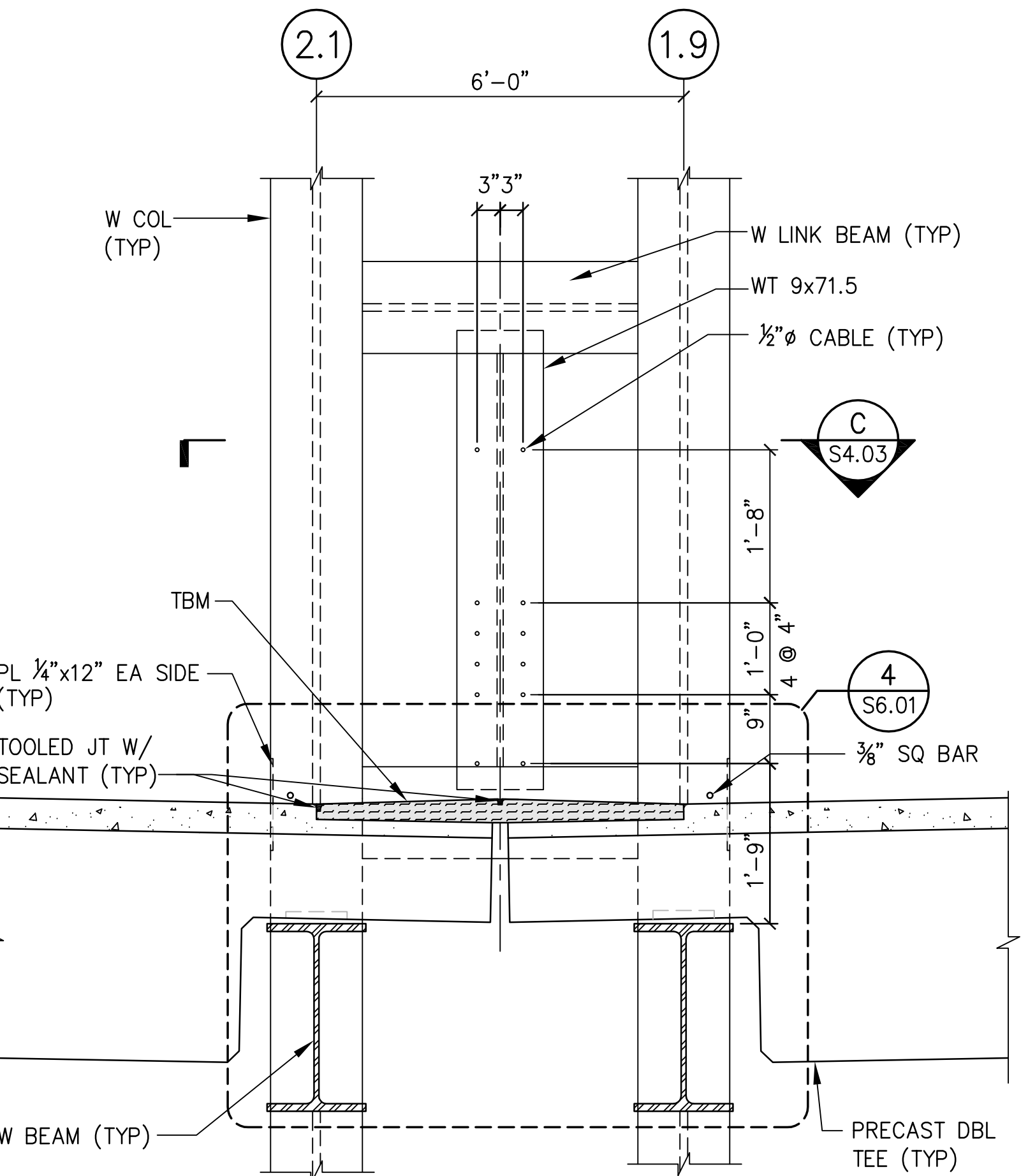
DETAIL B
1" = 1'-0"
S1.02, S1.03, S1.04
S1.05, S1.06, S1.07



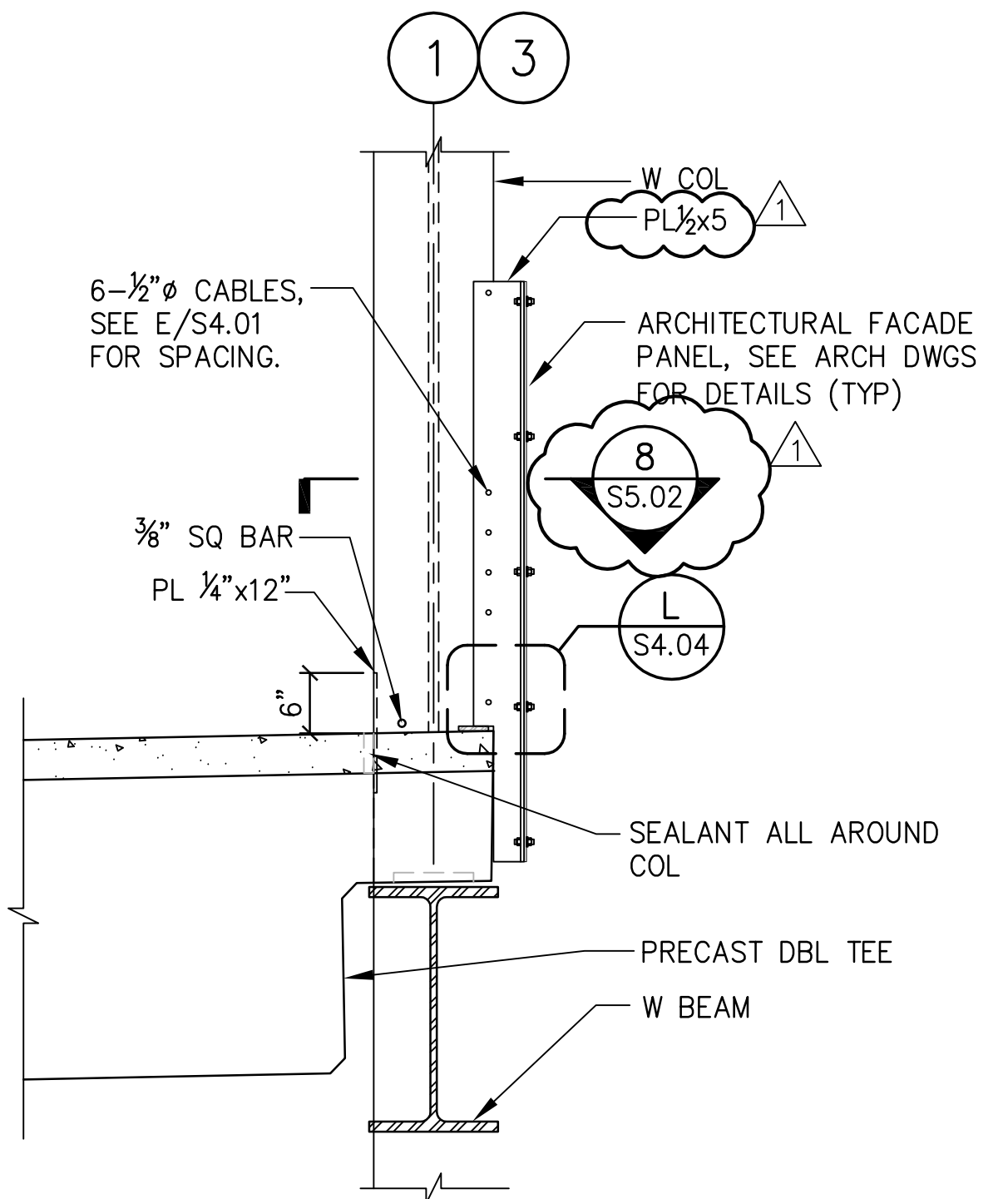
DETAIL C
1" = 1'-0"
S1.02, S1.03, S1.04
S1.05, S1.06, S4.03



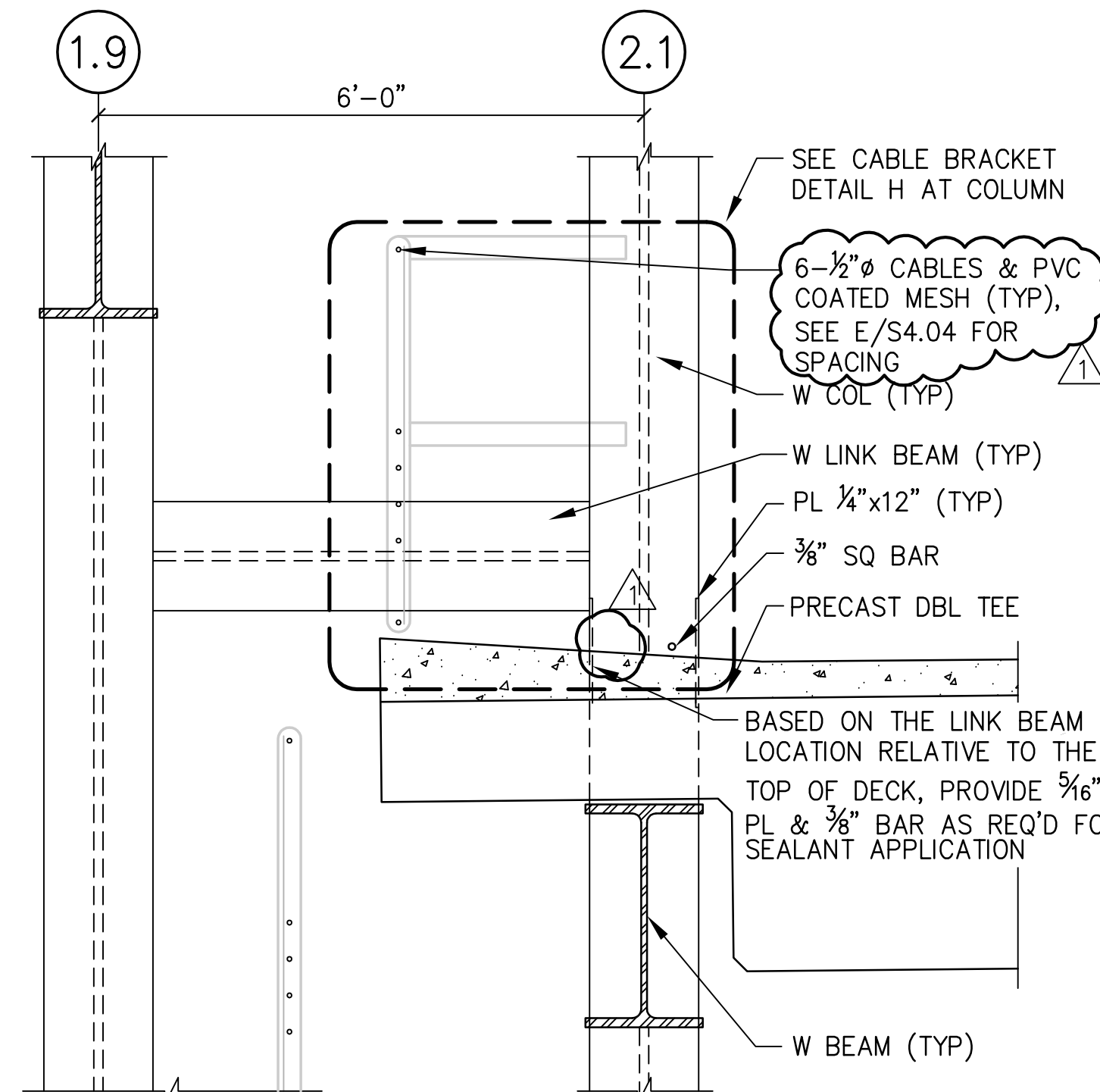
DETAIL D
3/4" = 1'-0"
S1.02, S1.03, S1.04, S1.05
S1.06, S1.07



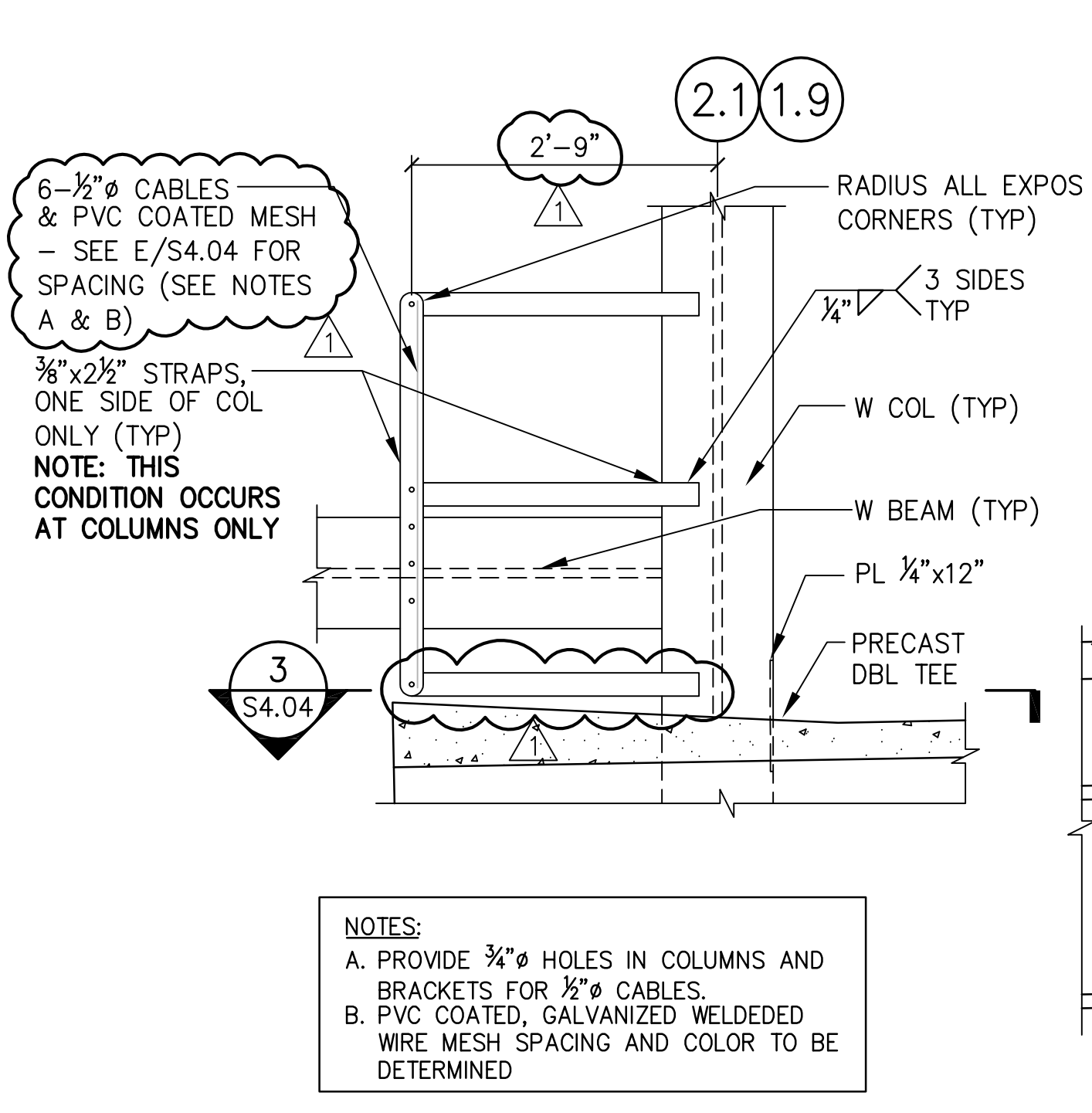
DETAIL E
3/4" = 1'-0"
S4.02



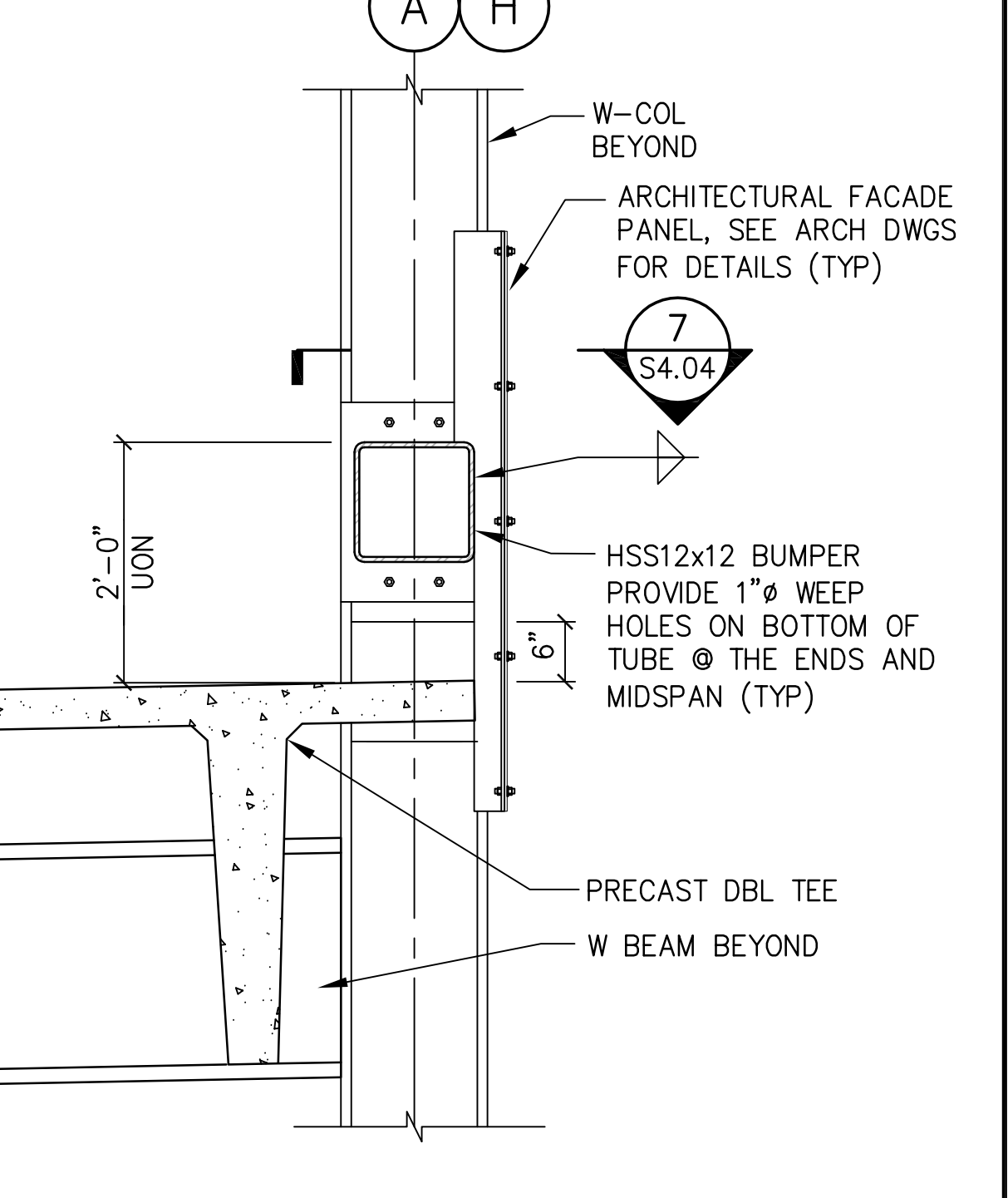
DETAIL F
3/4" = 1'-0"
S4.01



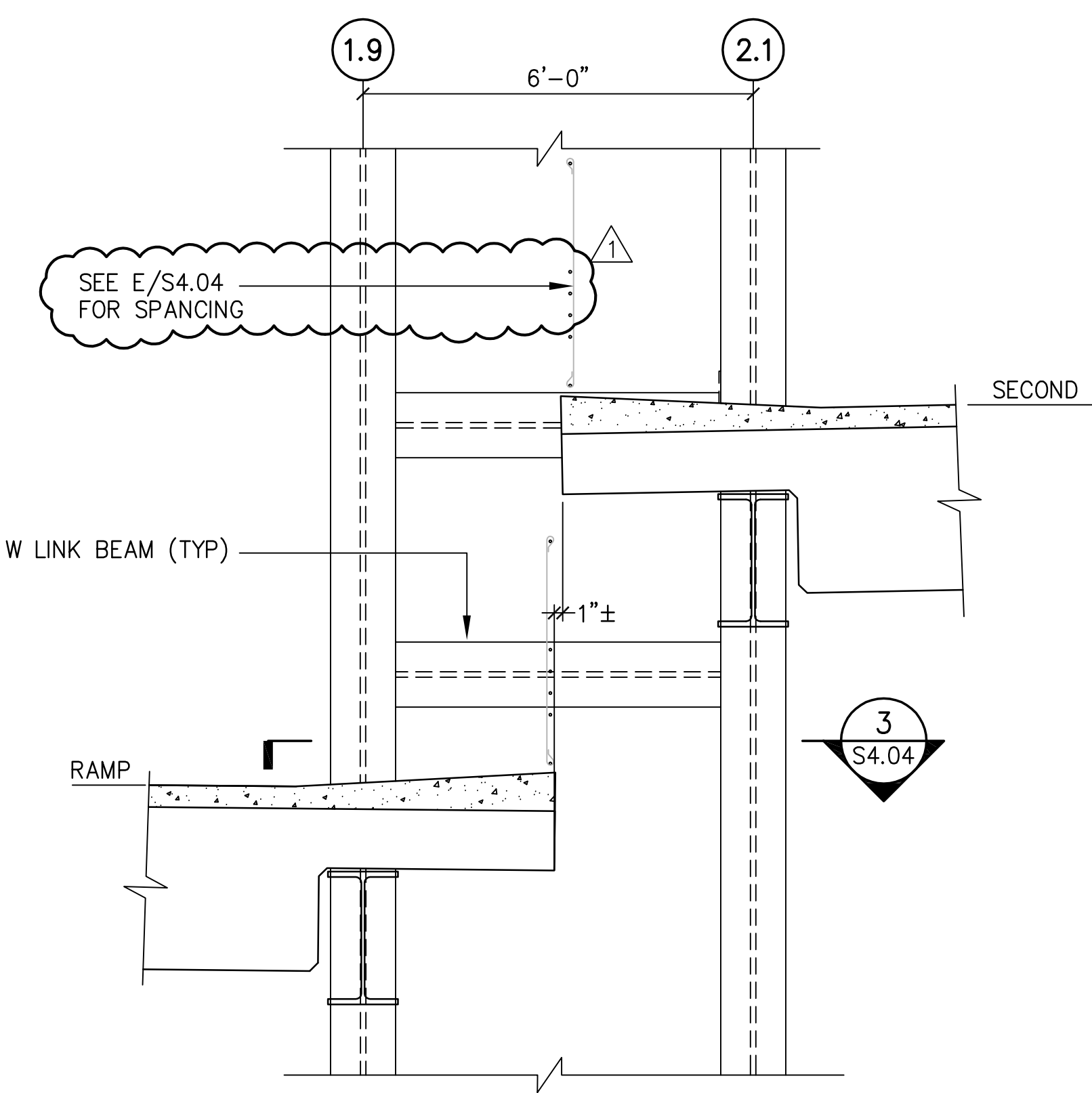
DETAIL G
3/4" = 1'-0"
S4.02



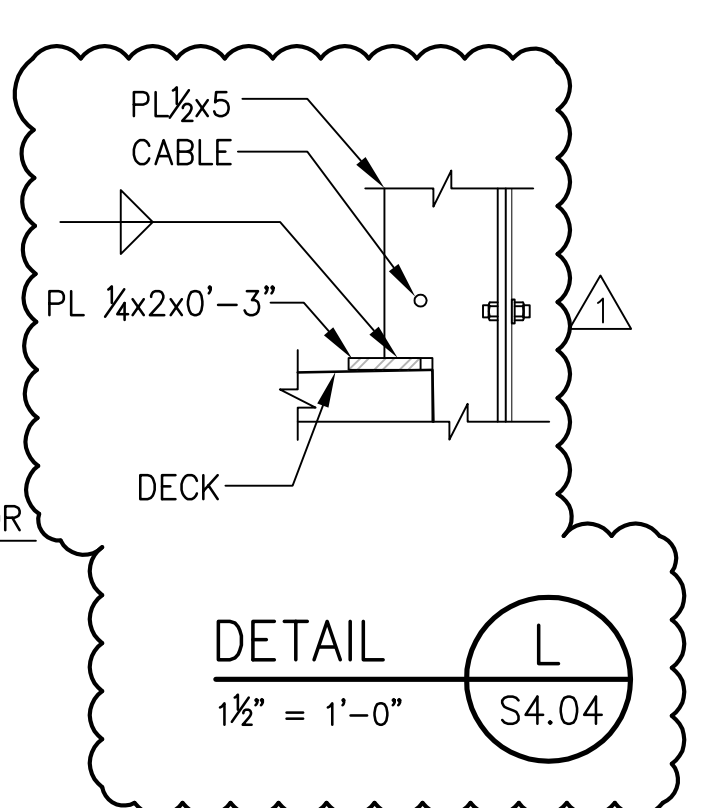
DETAIL H
3/4" = 1'-0"
S4.03



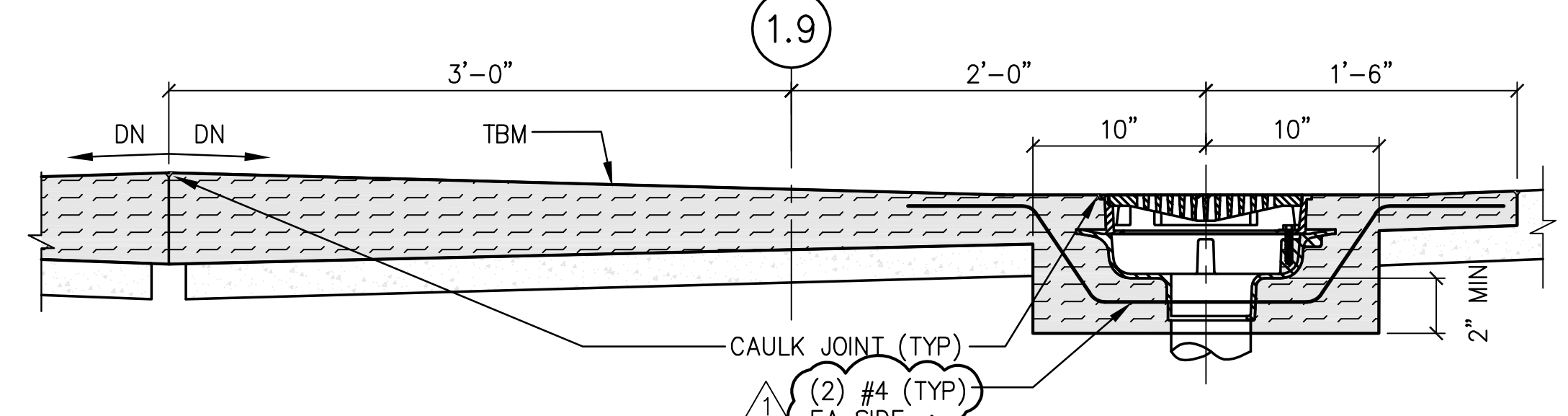
DETAIL J
3/4" = 1'-0"
S4.01



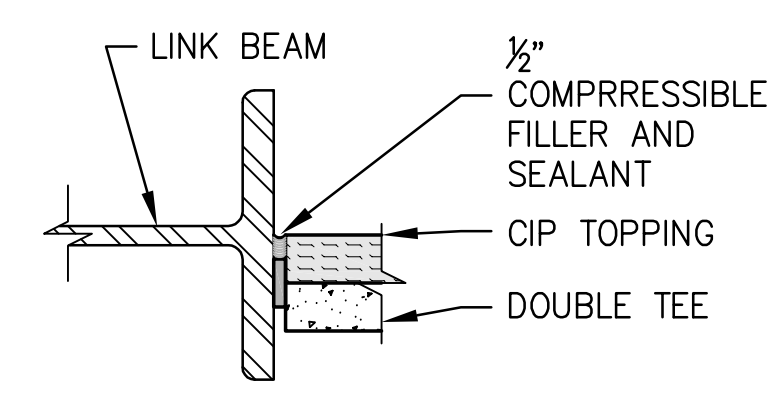
DETAIL K
1/2" = 1'-0"
S4.02



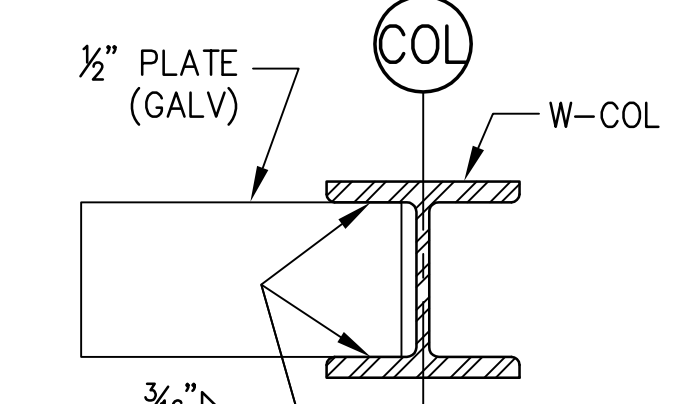
DETAIL L
1 1/2" = 1'-0"
S4.04



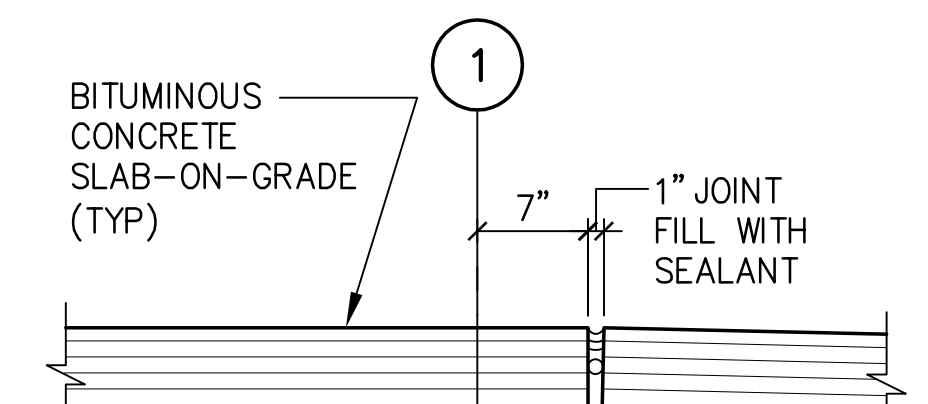
SECTION 1
1 1/2" = 1'-0"
S4.04



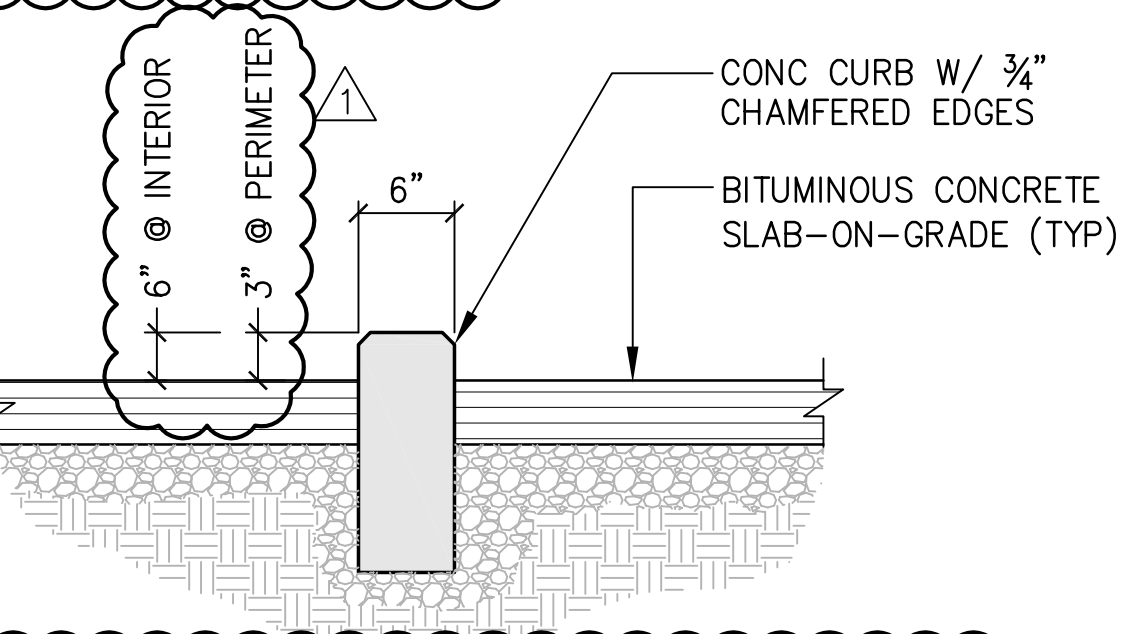
SECTION 2
1 1/2" = 1'-0"
S4.04



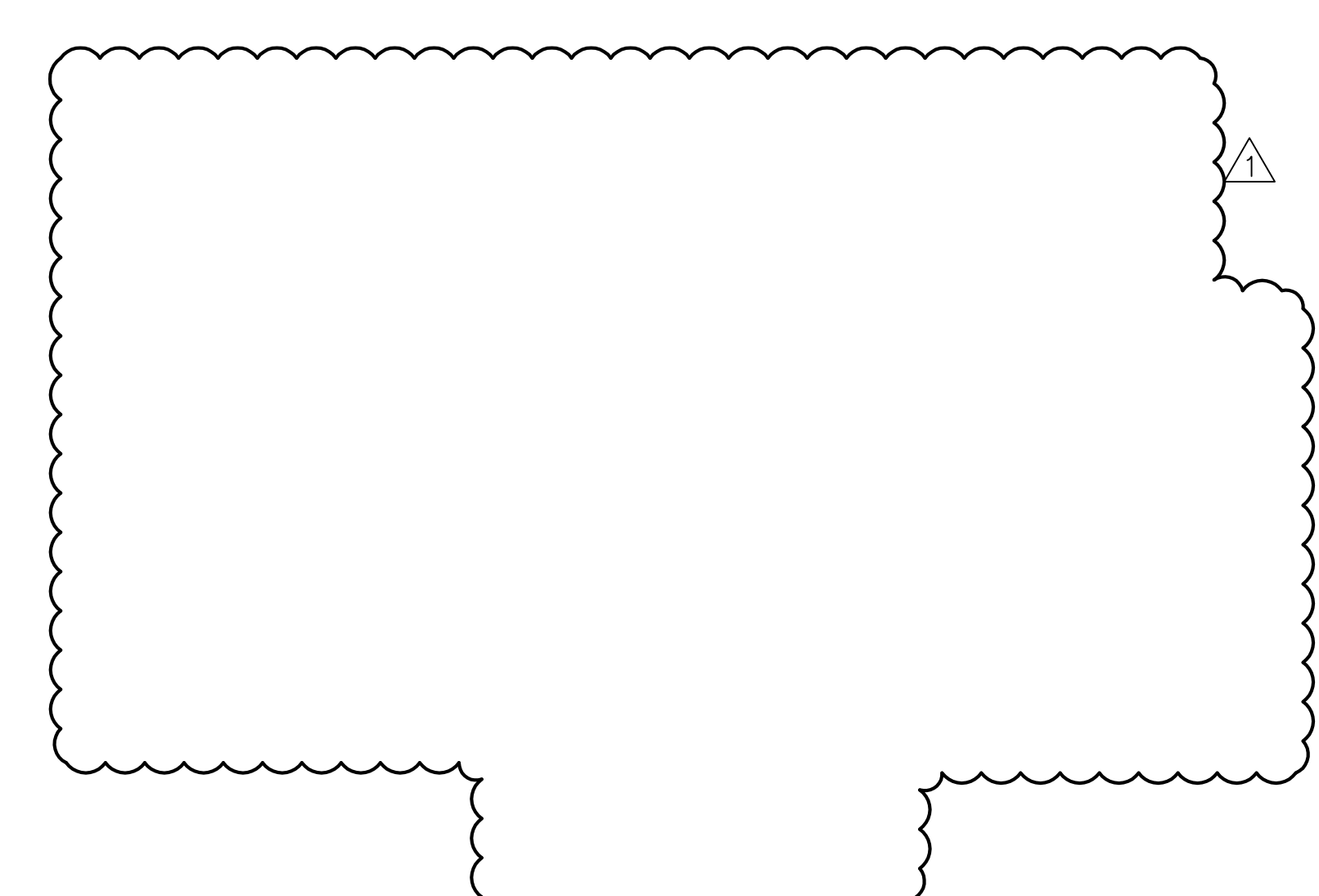
SECTION 3
1" = 1'-0"
S4.04



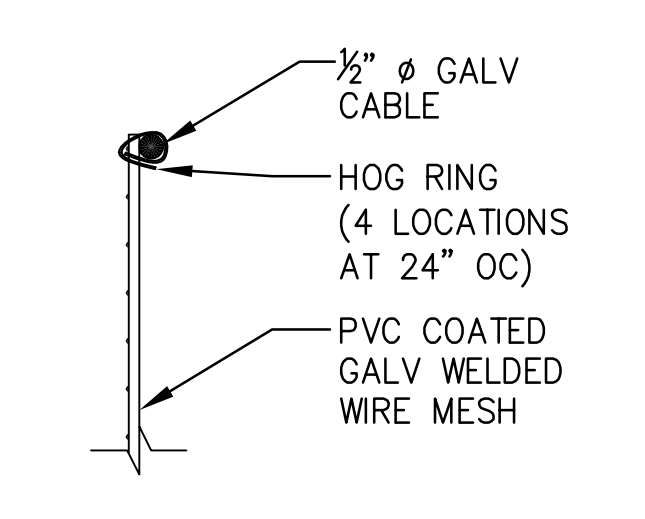
SECTION 4
1" = 1'-0"
S1.02



TYPICAL CURB SECTION 5
1" = 1'-0"
S1.01



SECTION 7
1 1/2" = 1'-0"
S4.04



MESH CONN DETAIL

NOTES:
1. OCCURS @ COLUMN LINE A; COLUMN LINE 1 BETWEEN LINE E AND H; COLUMN LINE H BETWEEN LINE 1 AND FOUNDATION WALL
2. SEE ARCH DWGS FOR CURB LOCATION RELATIVE TO COL LINE

NOTES:
A. PROVIDE 3/4" HOLES IN COLUMNS AND BRACKETS FOR 1/2" CABLES.
B. PVC COATED, GALVANIZED WELDED WIRE MESH SPACING AND COLOR TO BE DETERMINED

NOTE: OCCURS AT ALL CABLE TERMINATION POINTS INCLUDING THE FIRST FLOOR RAMP TRANSITIONS AT D&E COLUMN LINES.