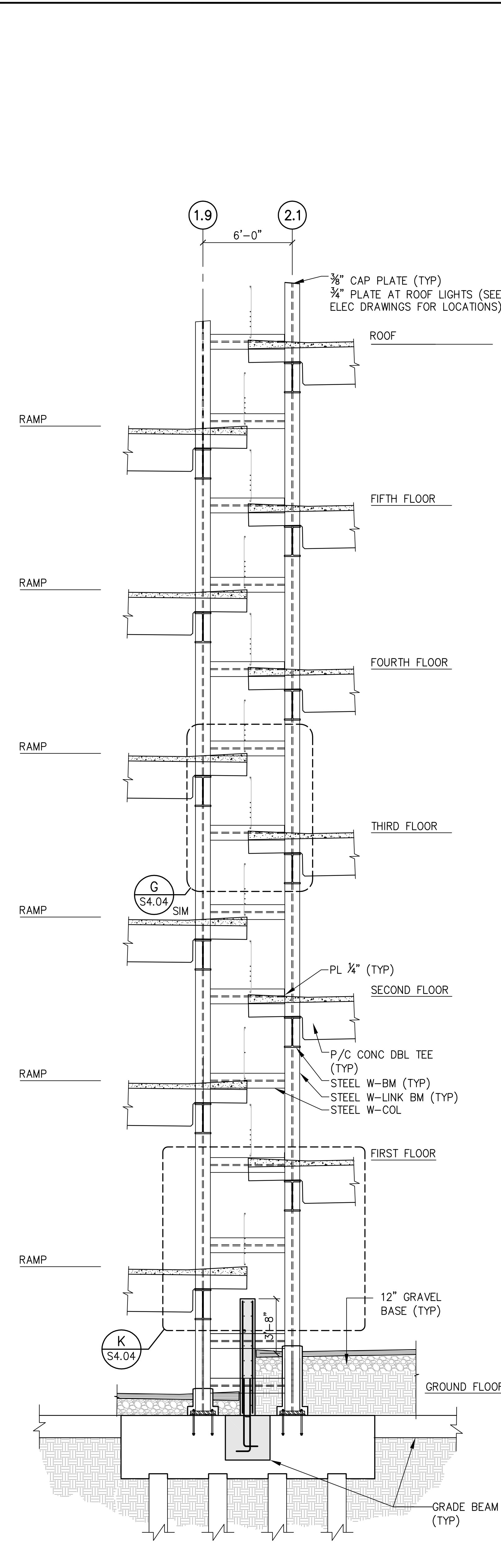
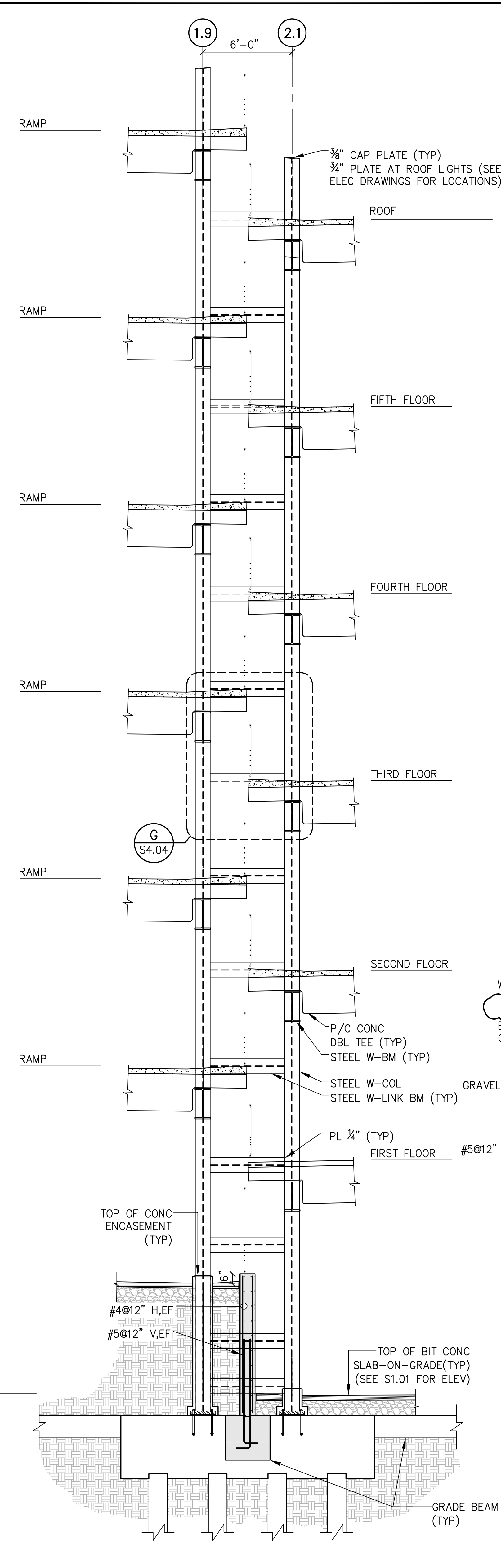


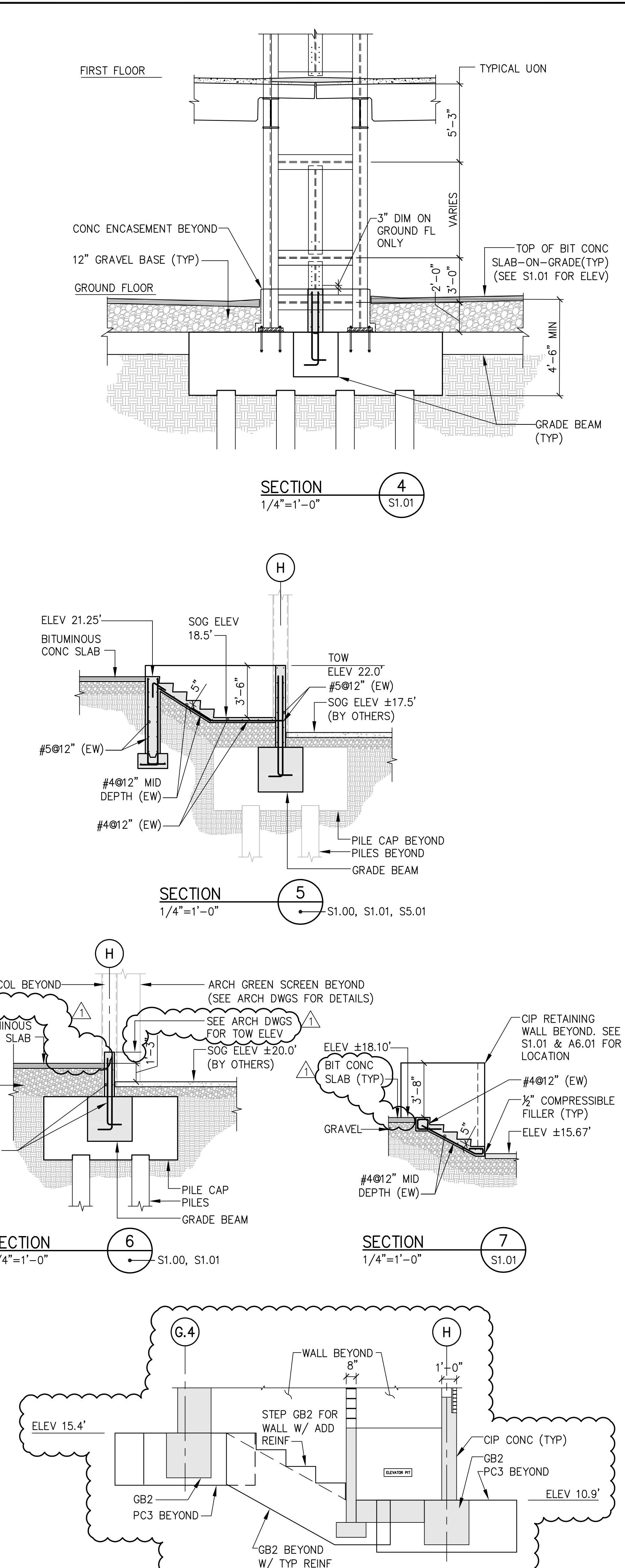
SECTION 1
1/4"=1'-0"
S1.00 THRU S1.07



SECTION 2
1/4"=1'-0"
S1.00, S1.01, S1.02, S1.03, S1.04, S1.05, S1.06, S1.07



SECTION 3
1/4"=1'-0"
S1.00, S1.01, S1.02, S1.03, S1.04, S1.05, S1.06, S1.07



SECTION 4
1/4"=1'-0"
S1.00, S1.01, S5.01

