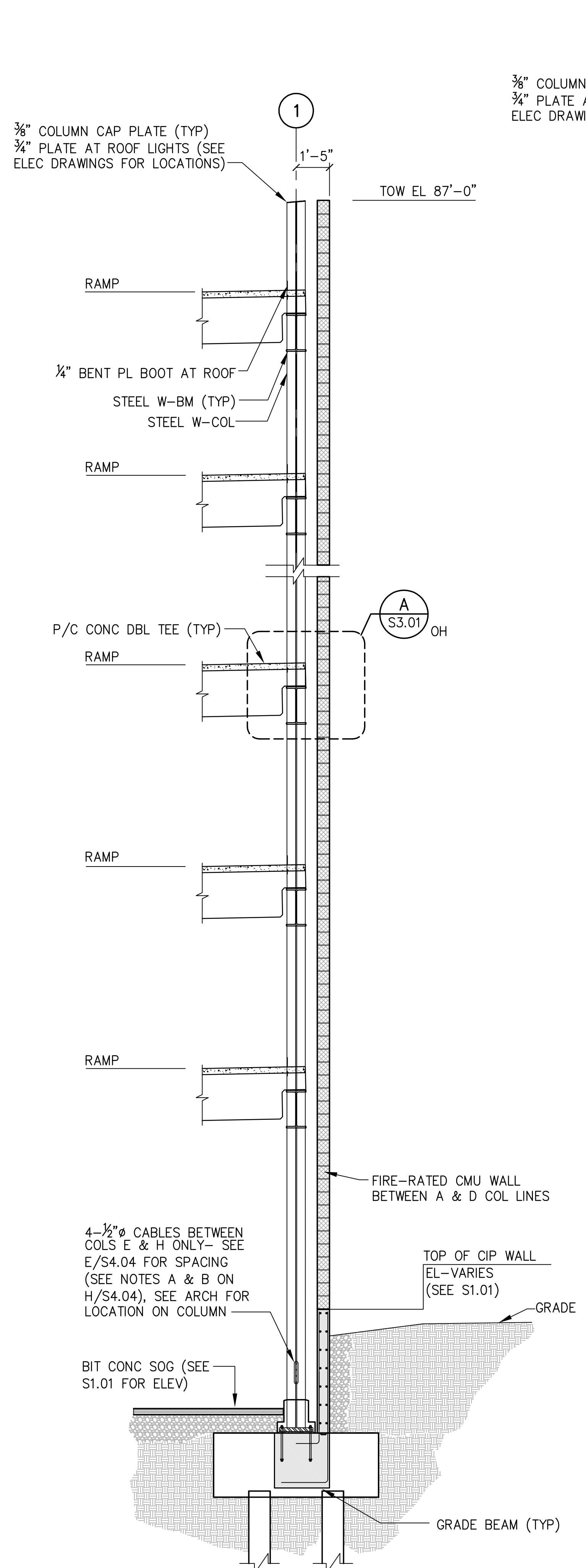
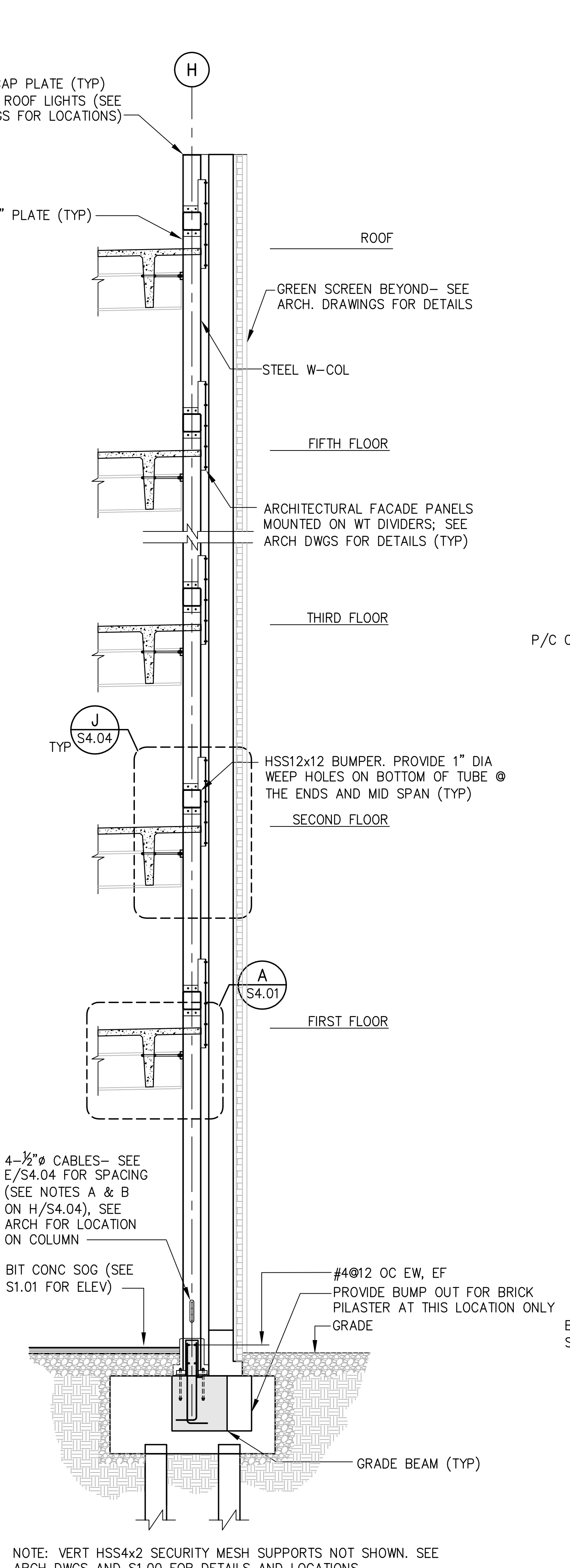


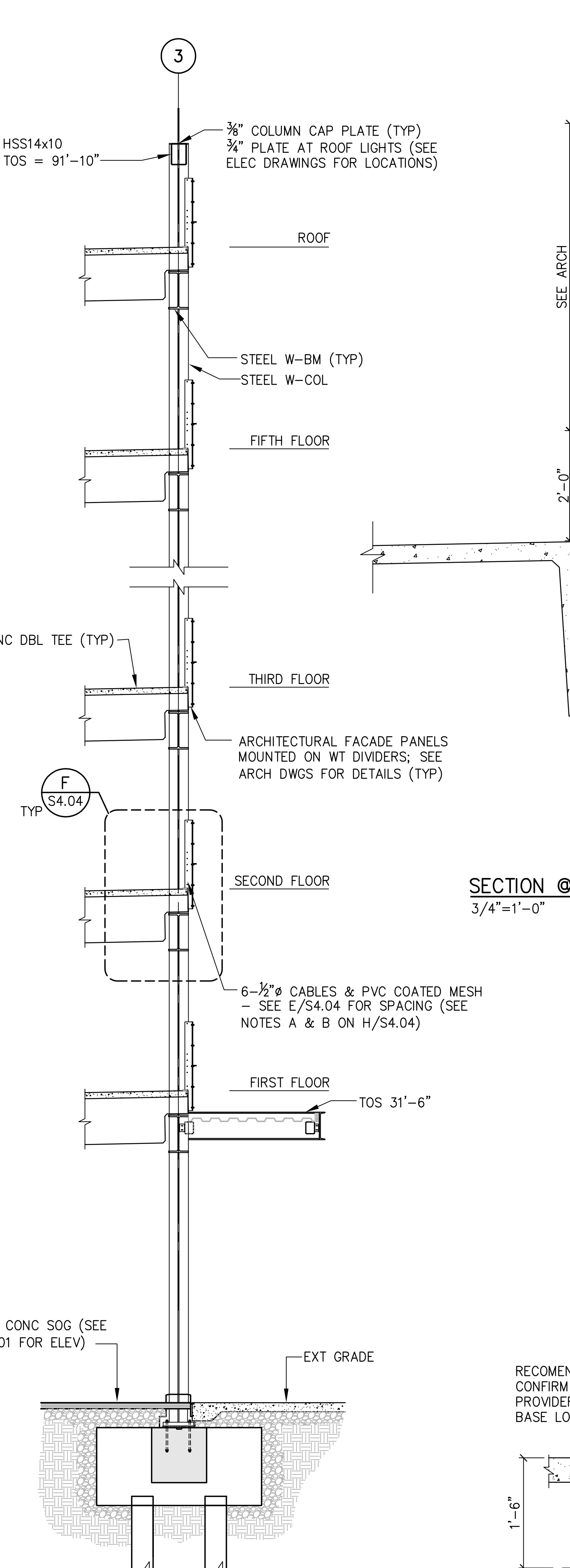
SECTION 1
1/4"=1'-0"
S1.00, S1.02, S1.03, S1.04, S1.05, S1.06, S1.07



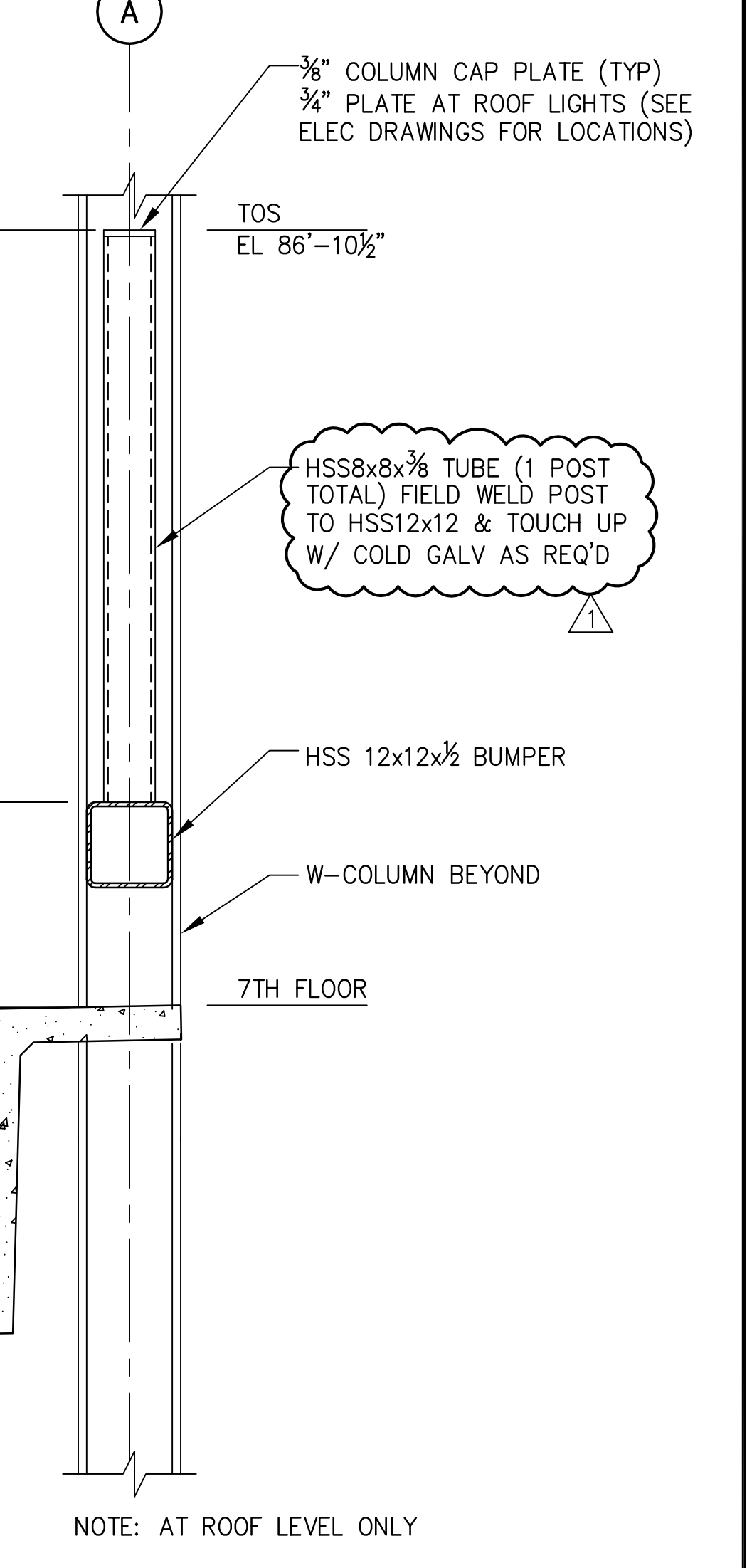
SECTION 2
1/4"=1'-0"
S1.00, S1.02, S1.03, S1.04, S1.05, S1.06, S1.07



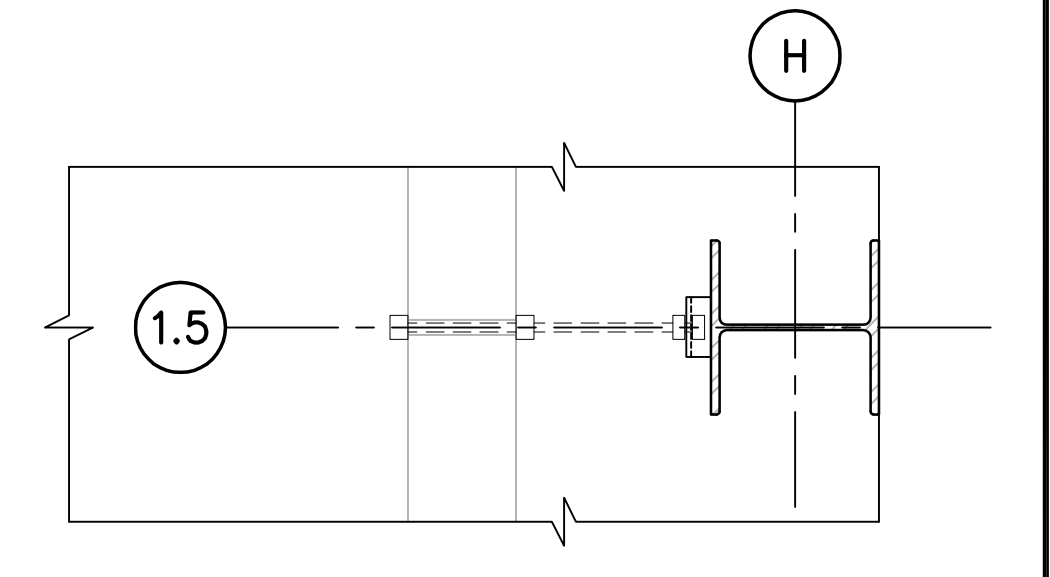
SECTION 3
1/4"=1'-0"
S1.00, S1.01, S1.02, S1.03, S1.04, S1.05, S1.06, S1.07



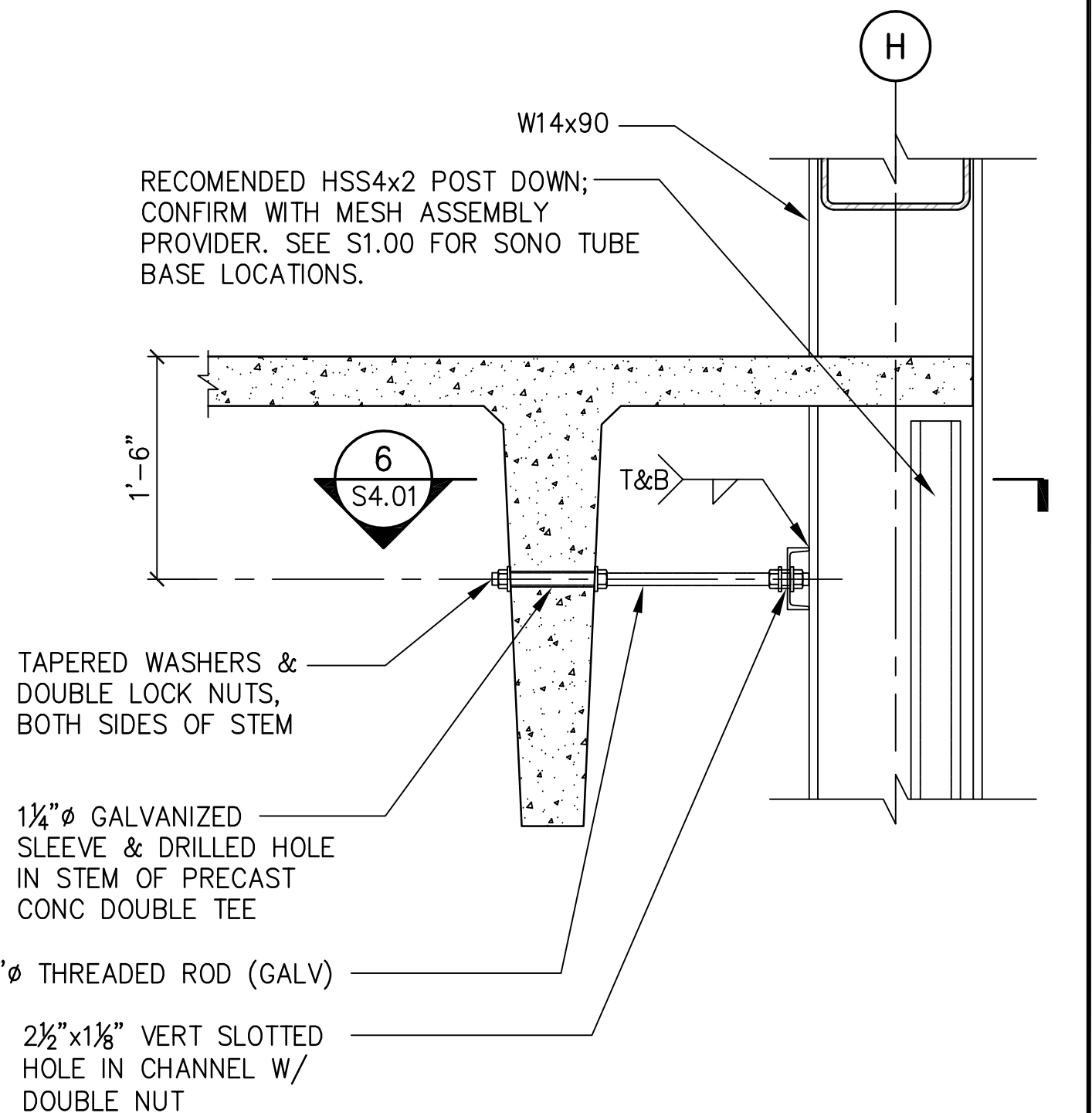
SECTION 4
1/4"=1'-0"
S1.00, S1.02, S1.03, S1.04, S1.05, S1.06, S1.07



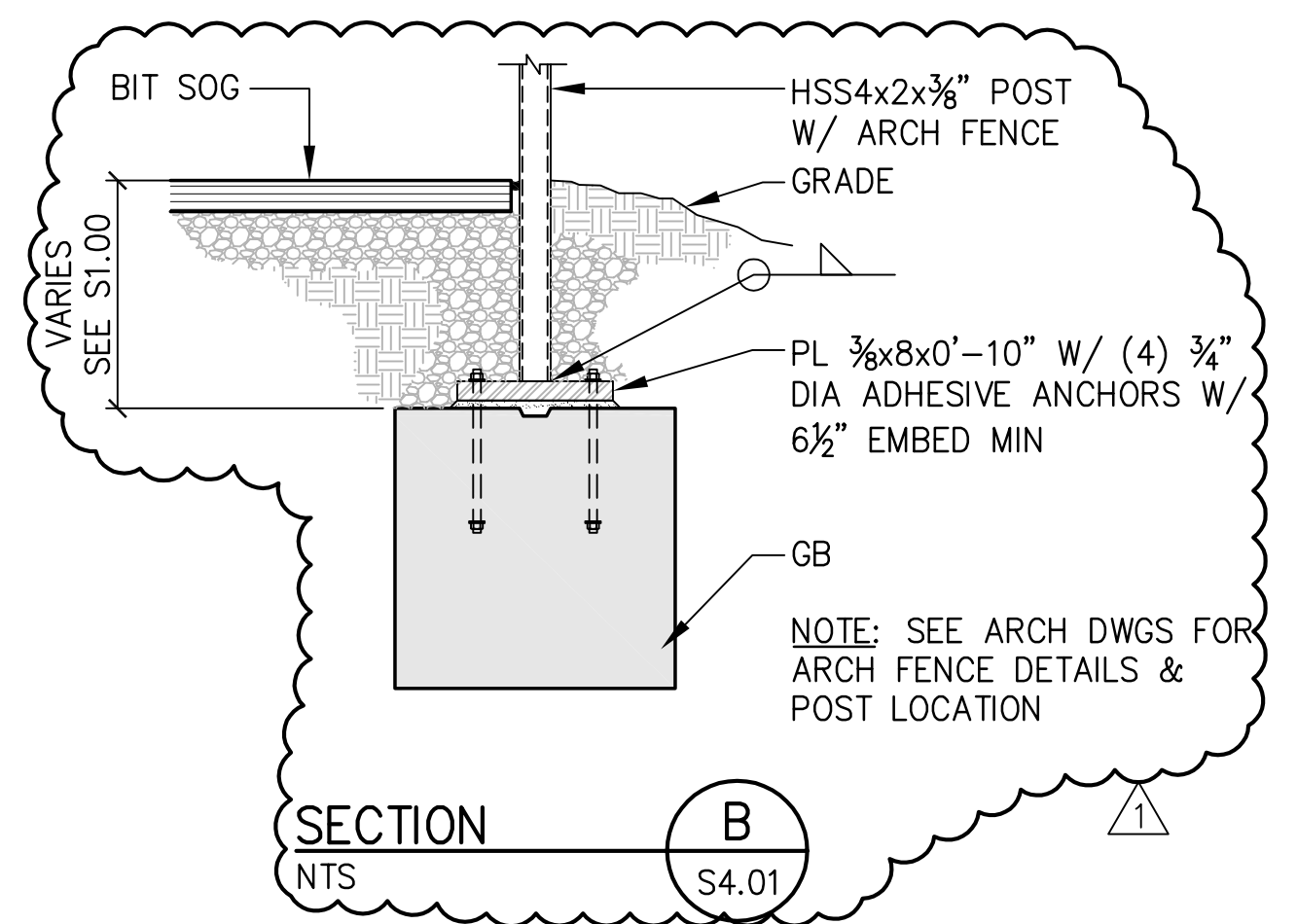
SECTION @ SNOW REMOVAL GATE 5
3/4"=1'-0"
S1.07



COL/DOUBLE TEE CONN PLAN 6
3/4"=1'-0"
S4.01



DETAIL A
1"=1'-0"
S1.02 THRU S1.07



SECTION B
1/4"=1'-0"
S4.01

