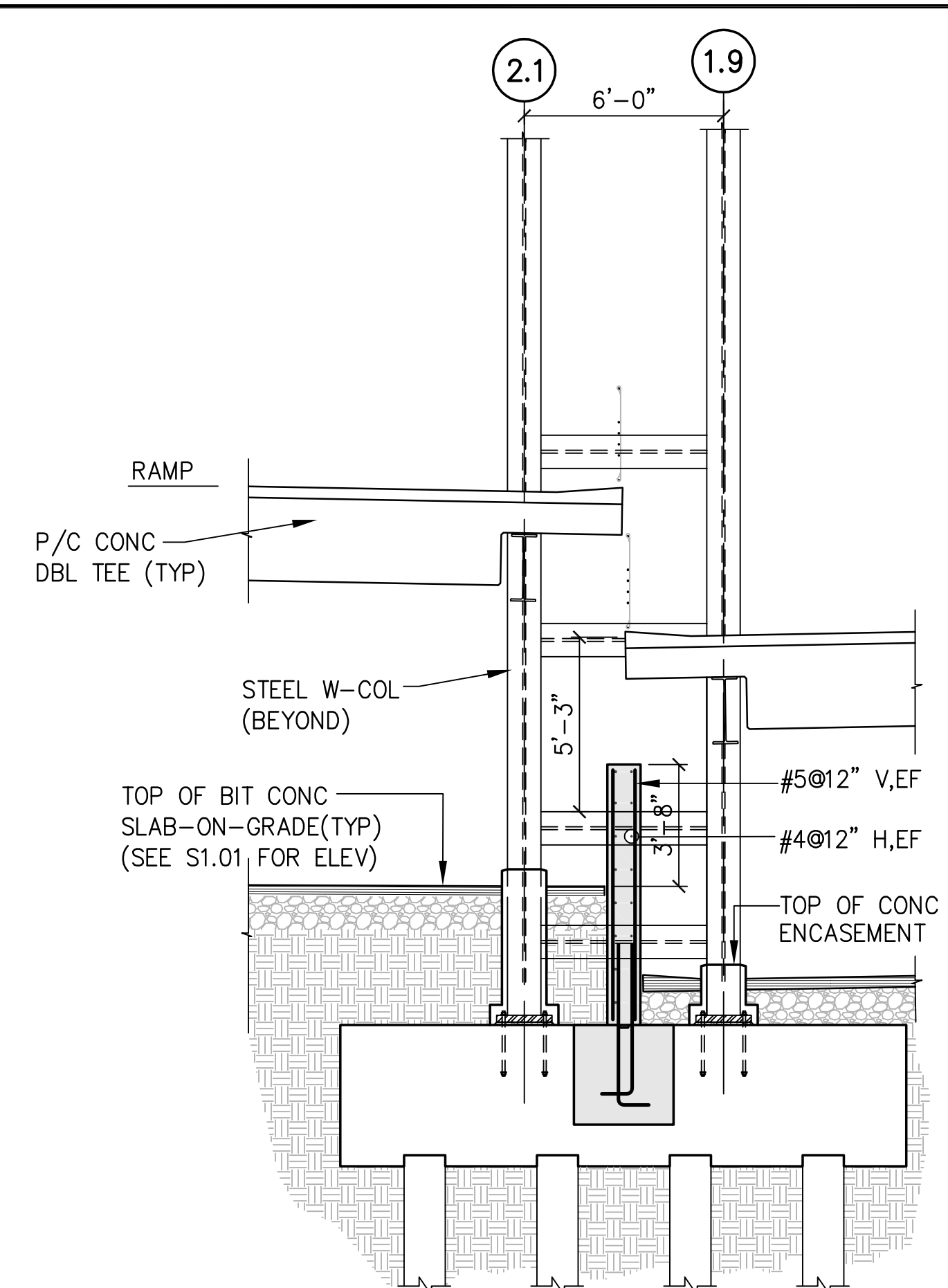
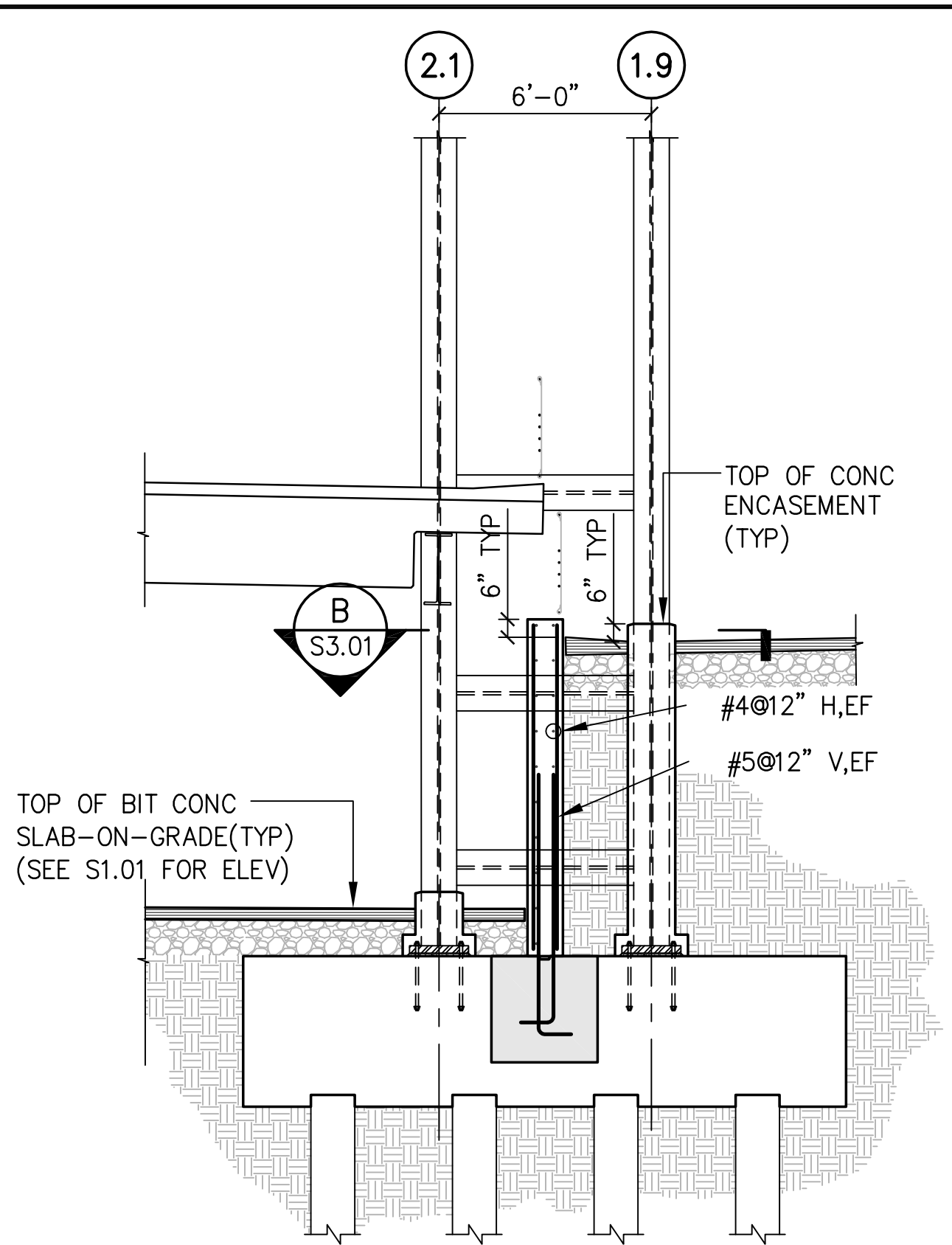


NOTE: PLACE UPPER PORTION AFTER DOUBLE TEE IS IN PLACE

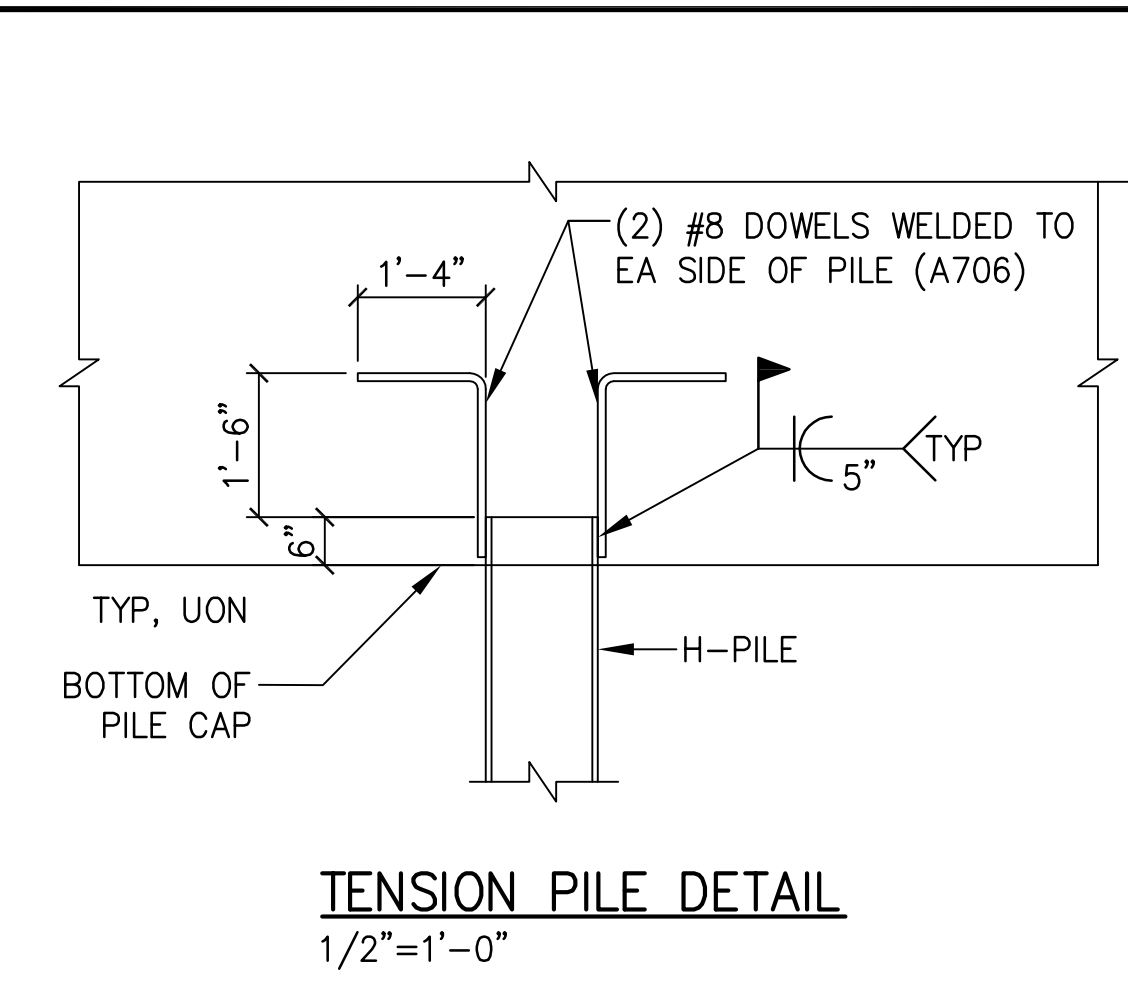
SECTION 1  
1/2"=1'-0"  
S1.00, S1.01, S1.02



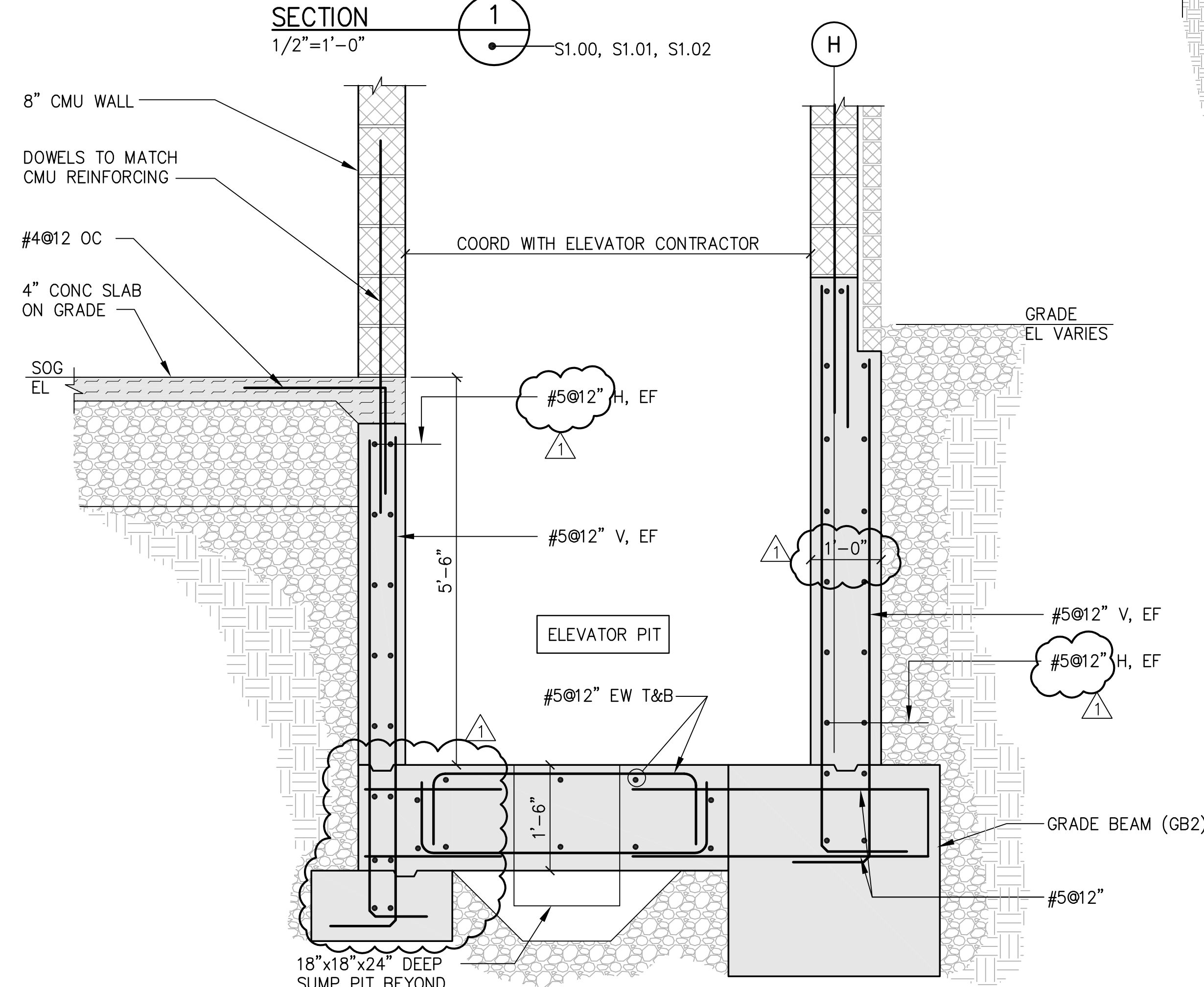
SECTION 2  
1/4"=1'-0"  
S1.00-S1.02



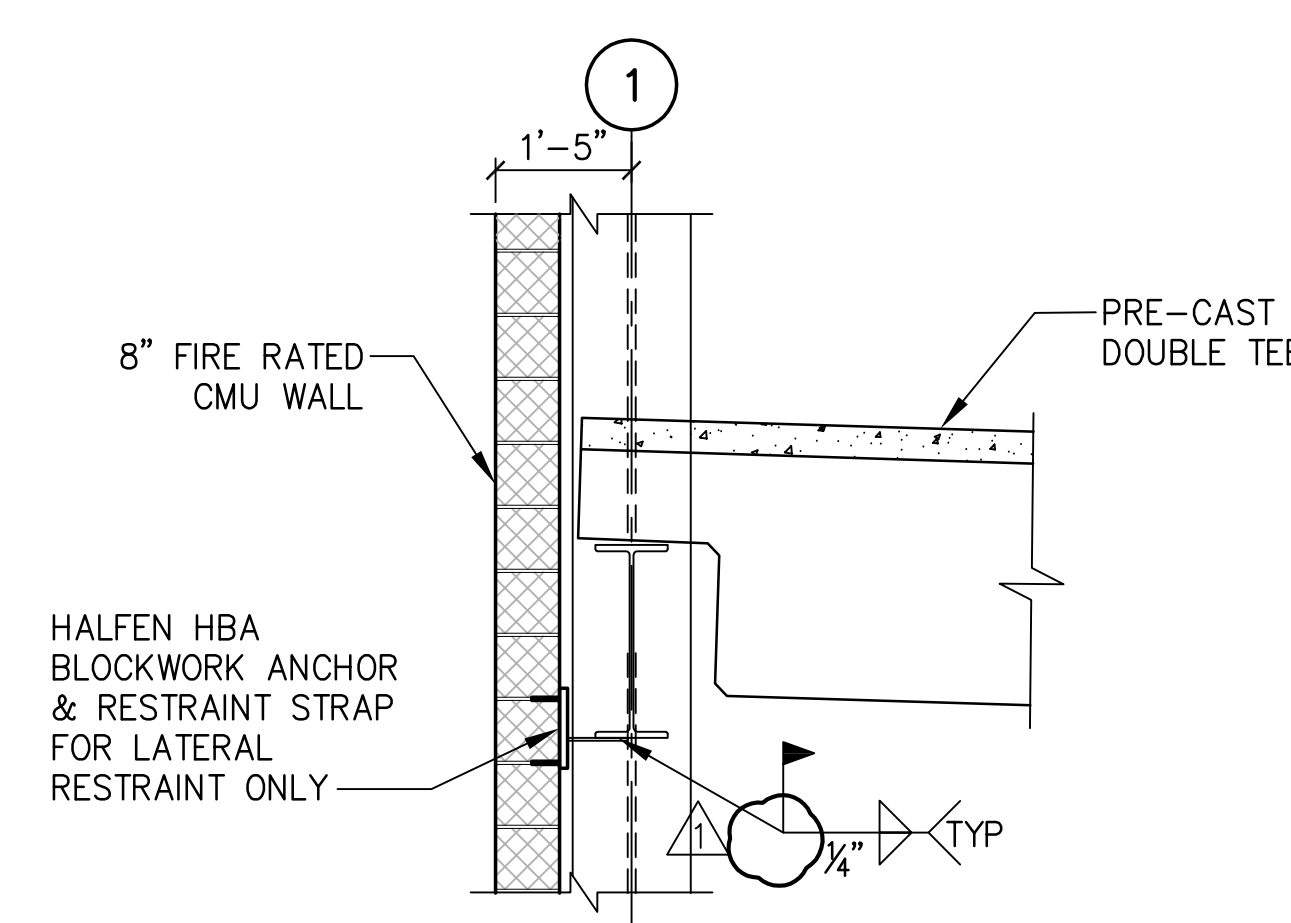
SECTION 3  
1/4"=1'-0"  
S1.00-S1.02



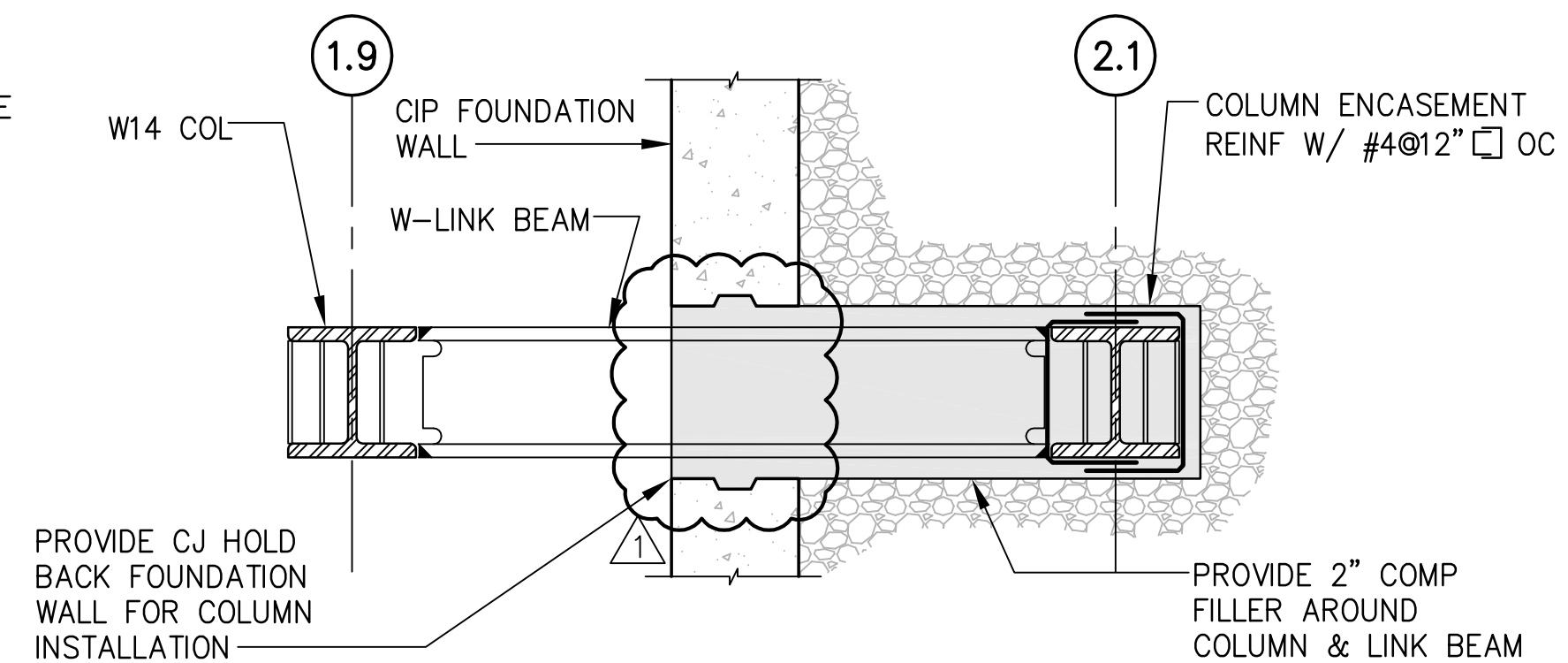
TENSION PILE DETAIL  
1/2"=1'-0"



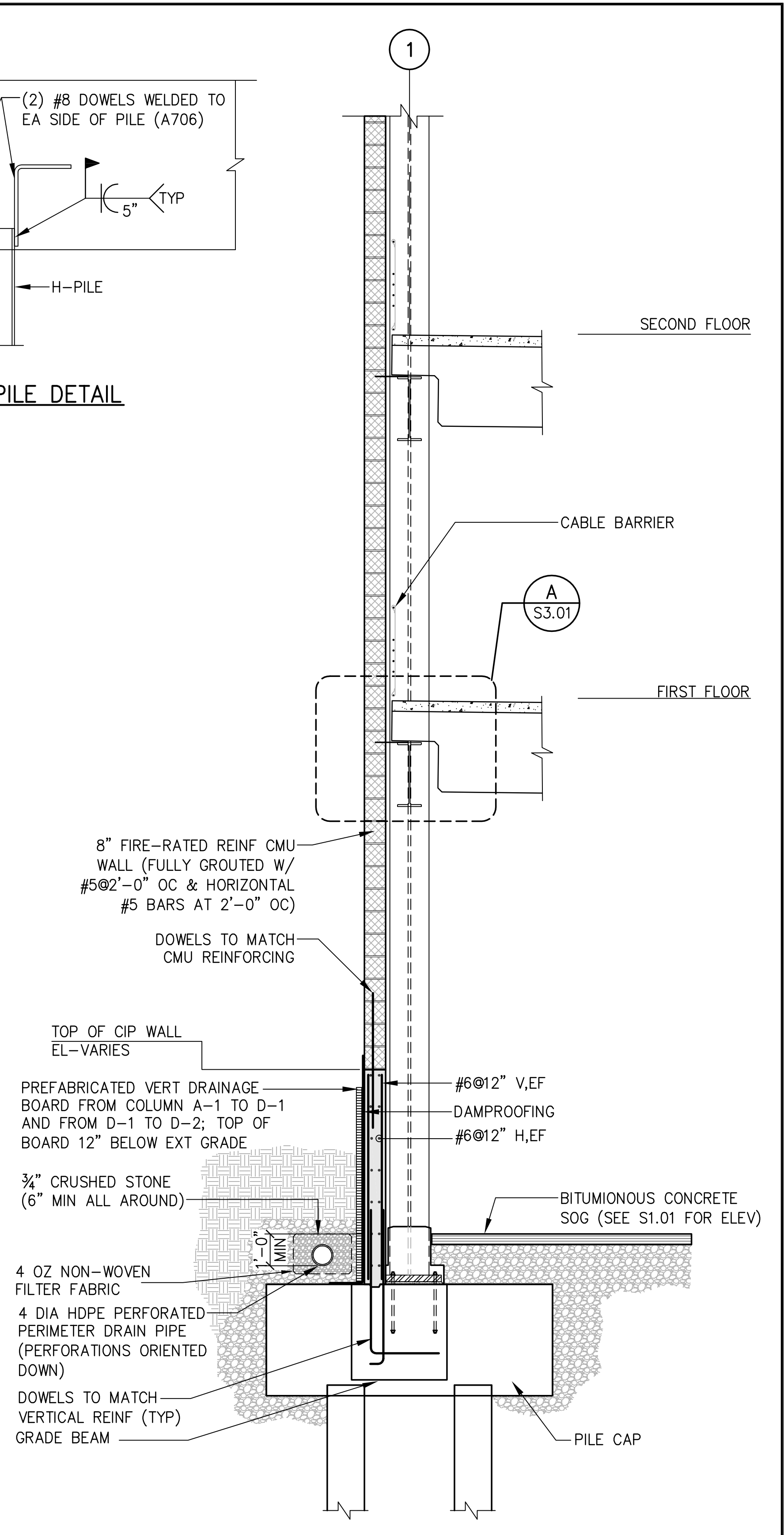
SECTION 5  
3/4"=1'-0"  
S1.00-S1.01



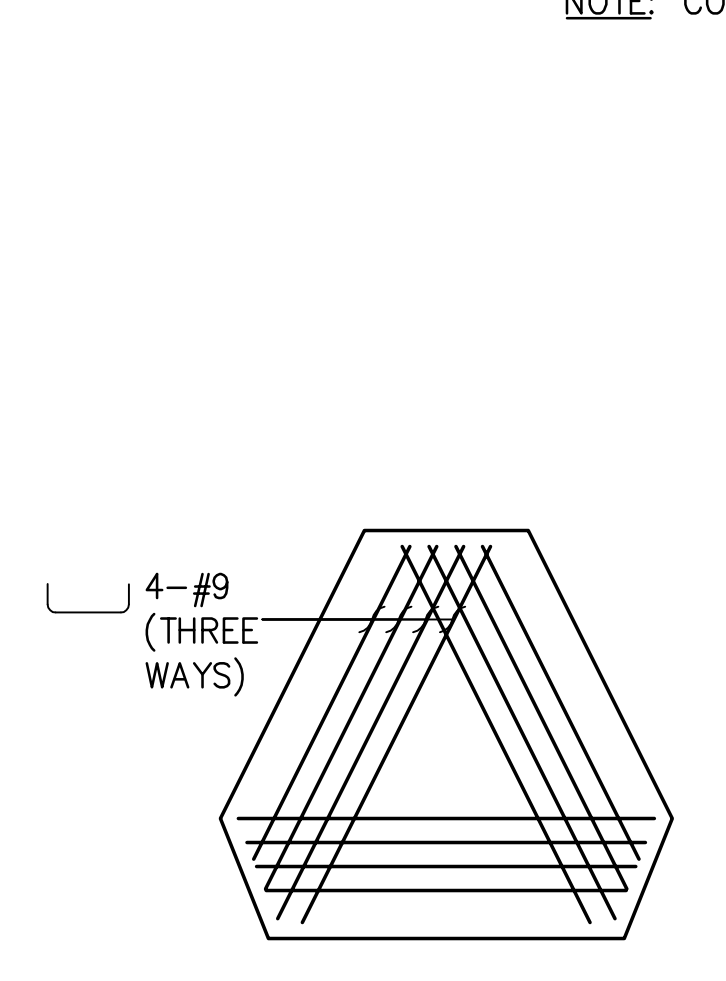
DETAIL A  
1/2"=1'-0"  
S3.01



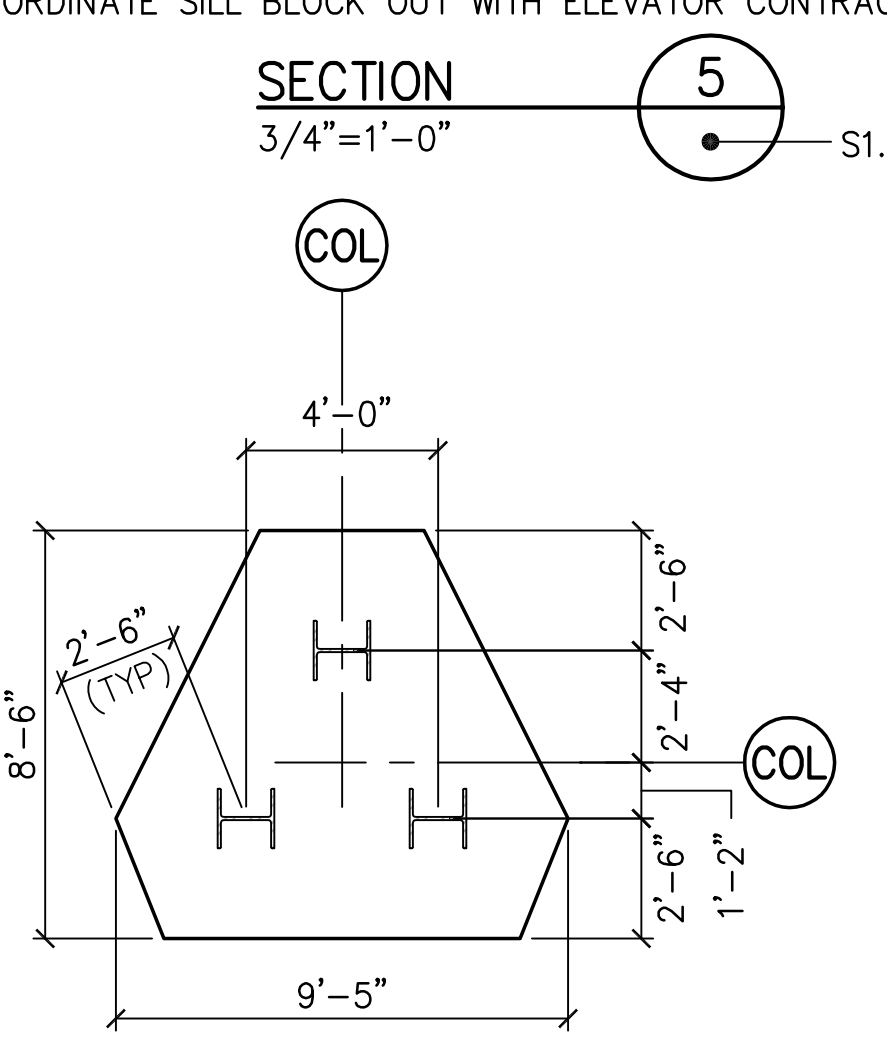
SECTION B  
3/4"=1'-0"  
S3.01



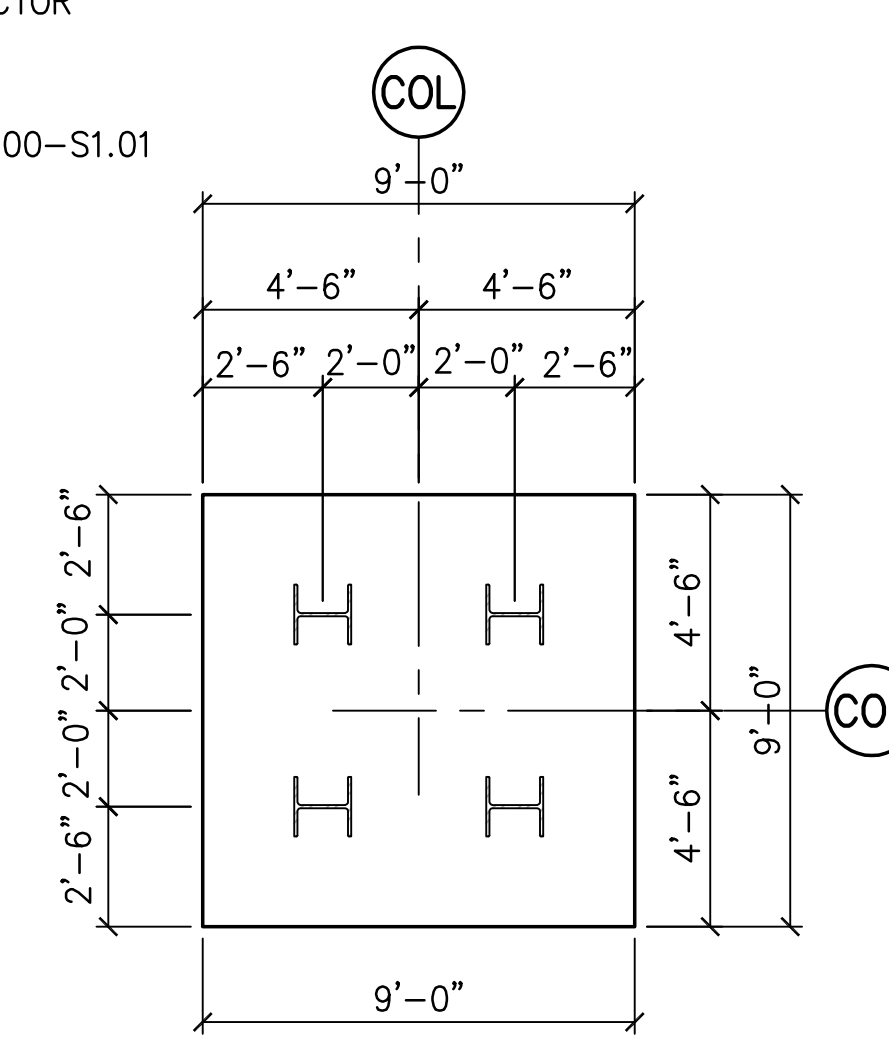
SECTION 4  
3/8"=1'-0"  
S1.00-S1.02



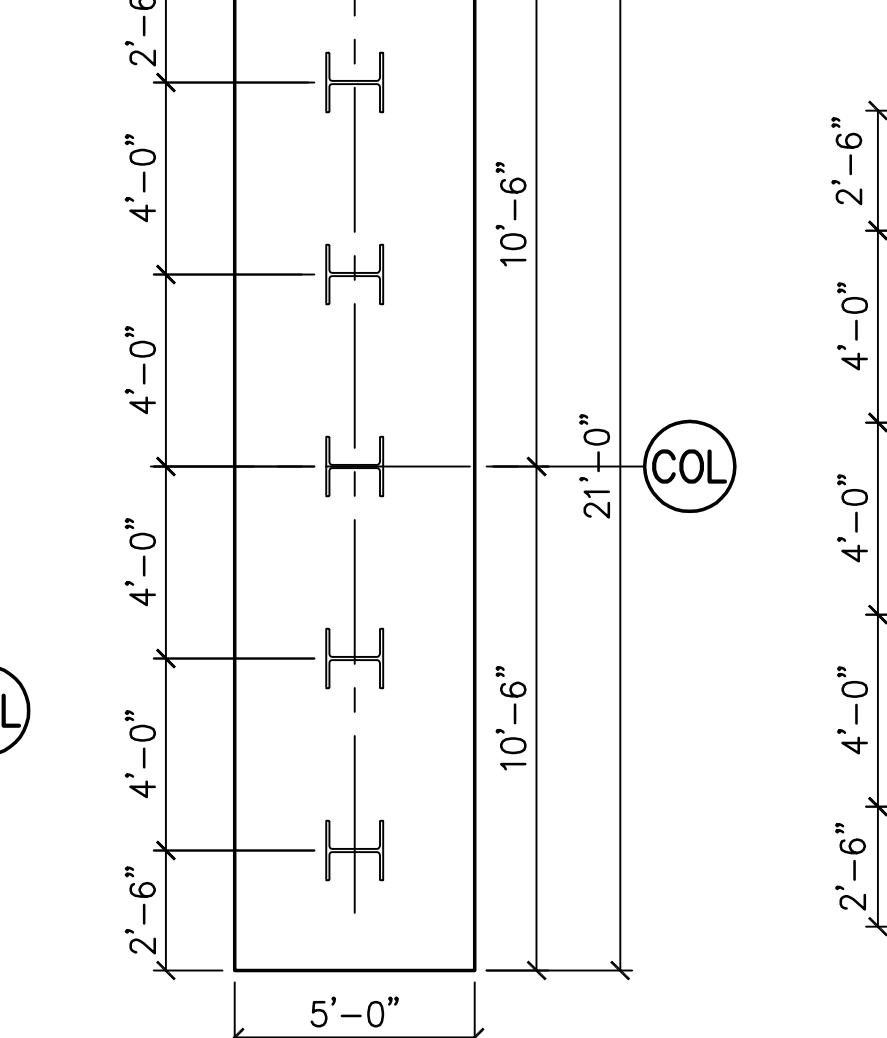
PC3



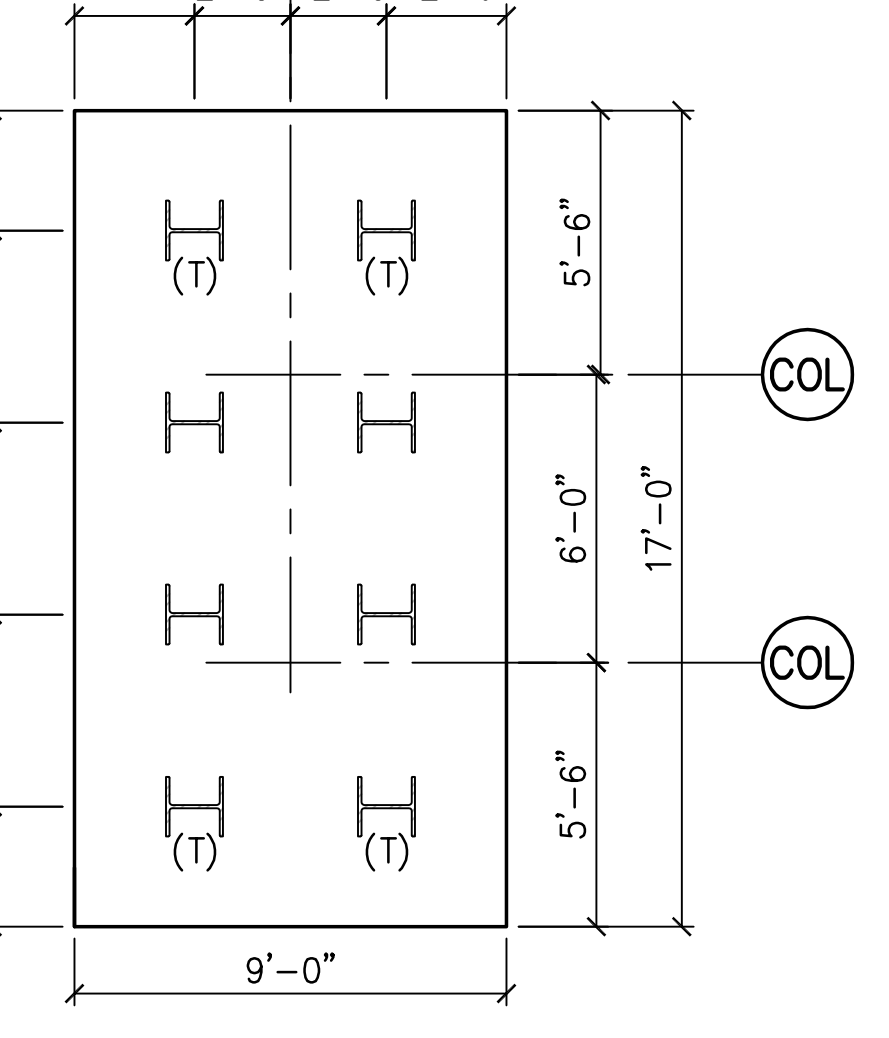
PC3



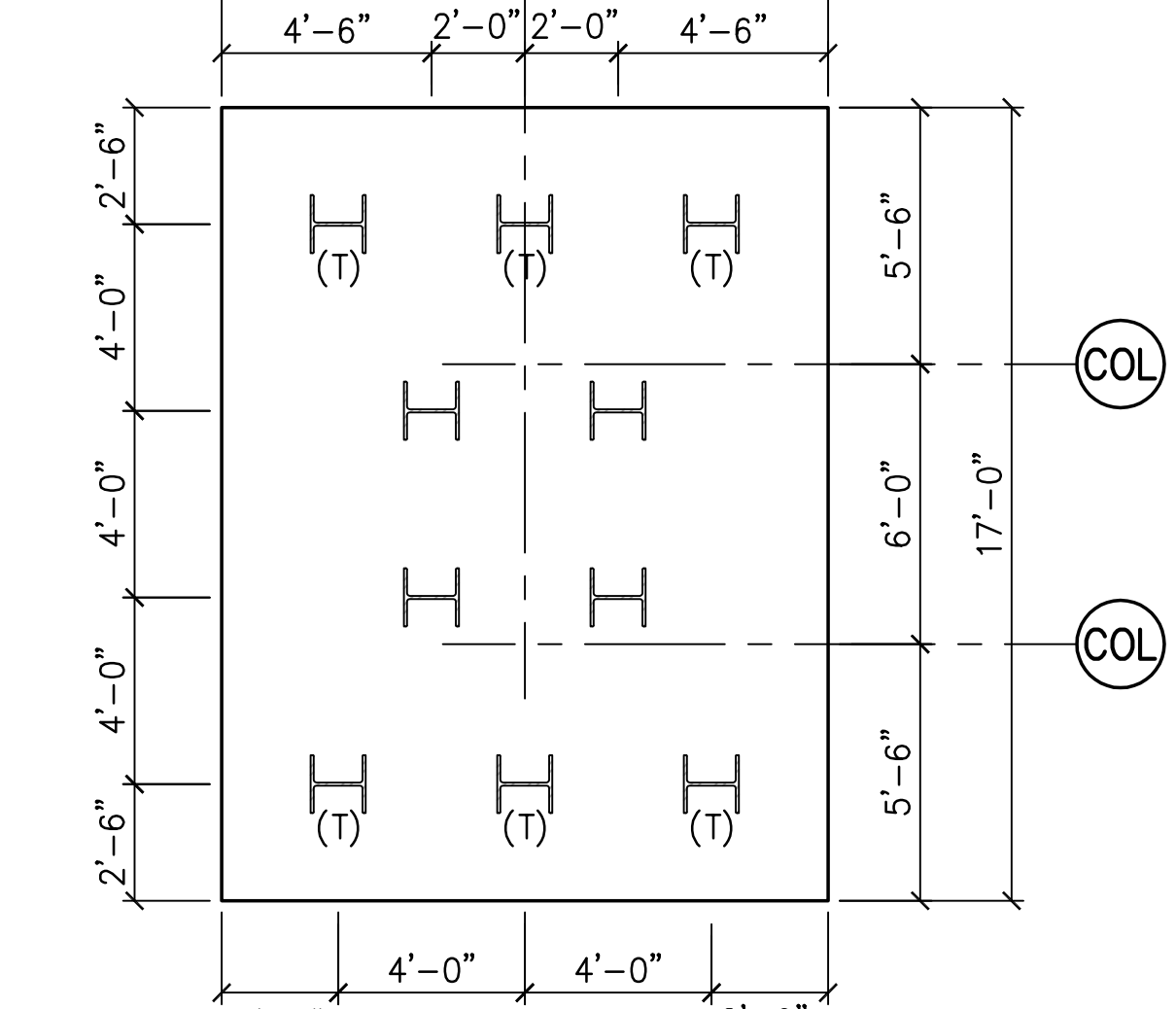
PC4



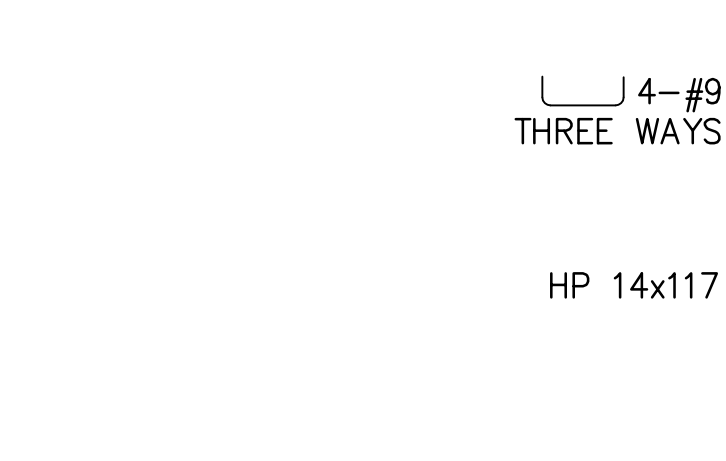
PC5



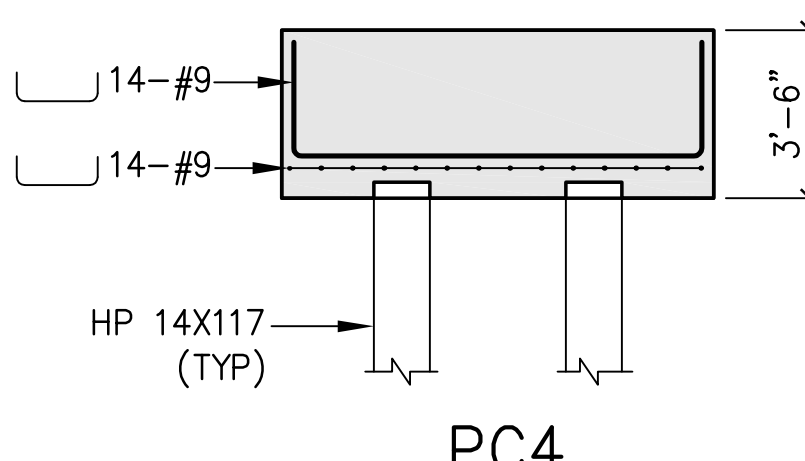
PC8



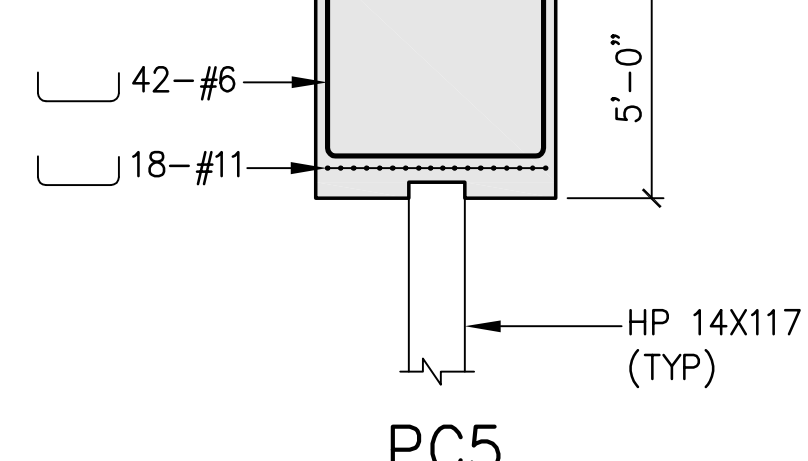
PC10



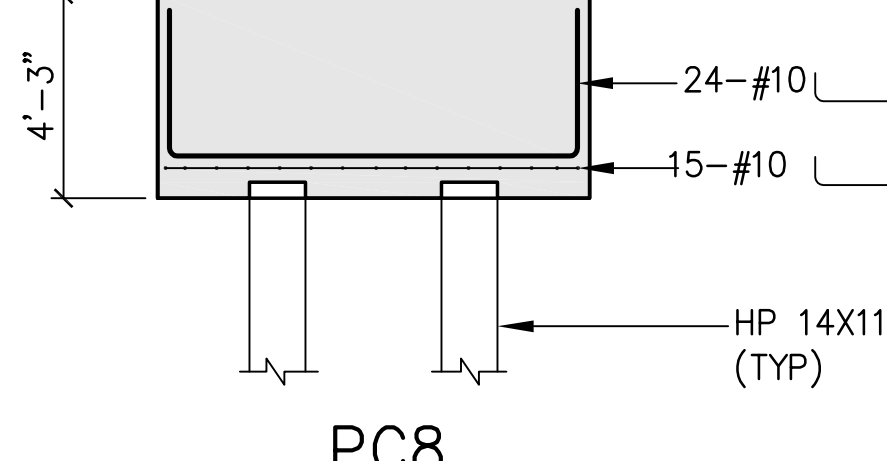
PC3



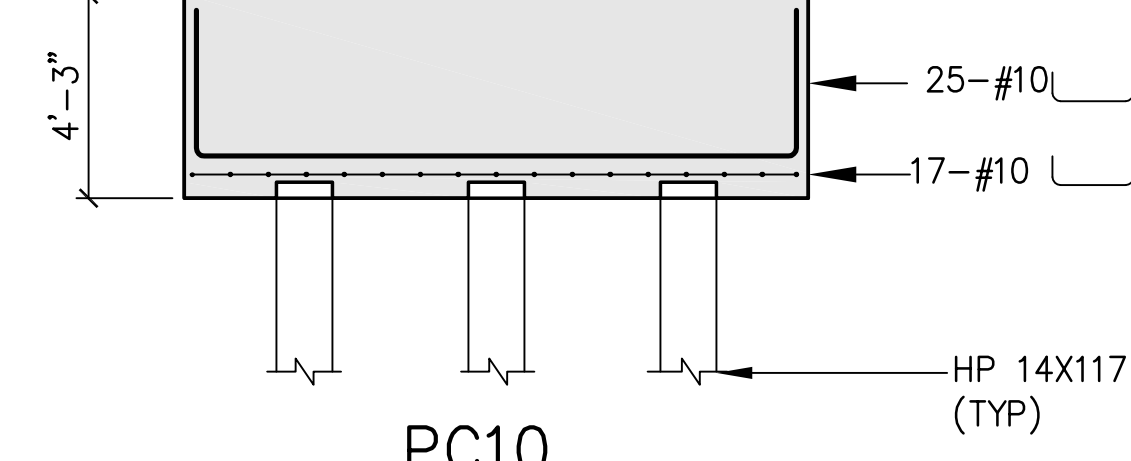
PC4



PC5

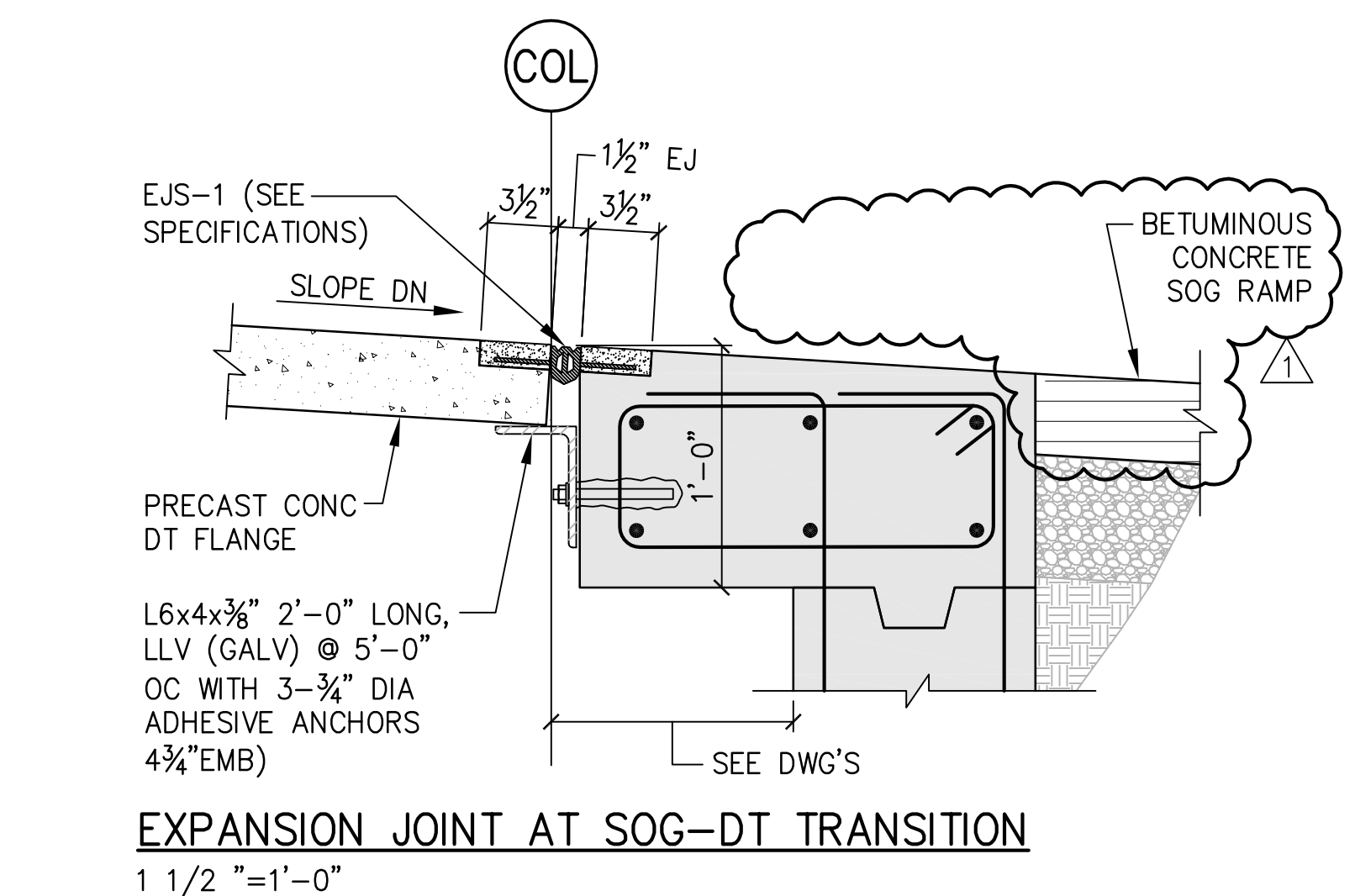


PC8



PC10

NOTE: PC1 INDICATES GRADE BEAM GB3 WITH PILE BELOW. OCCURS AT EXTERIOR PERIMETER OF RETAIL AND IN LOBBY ONLY. SEE S1.00 FOR DETAILS



EXPANSION JOINT AT SOG-DT TRANSITION  
1 1/2"=1'-0"

NO.	DATE	DESCRIPTION
1	8.10.07	BULLETIN 1

DATE: 22 FEB 2007  
 SCALE: AS NOTED  
 PROJECT NO.: 05-032

