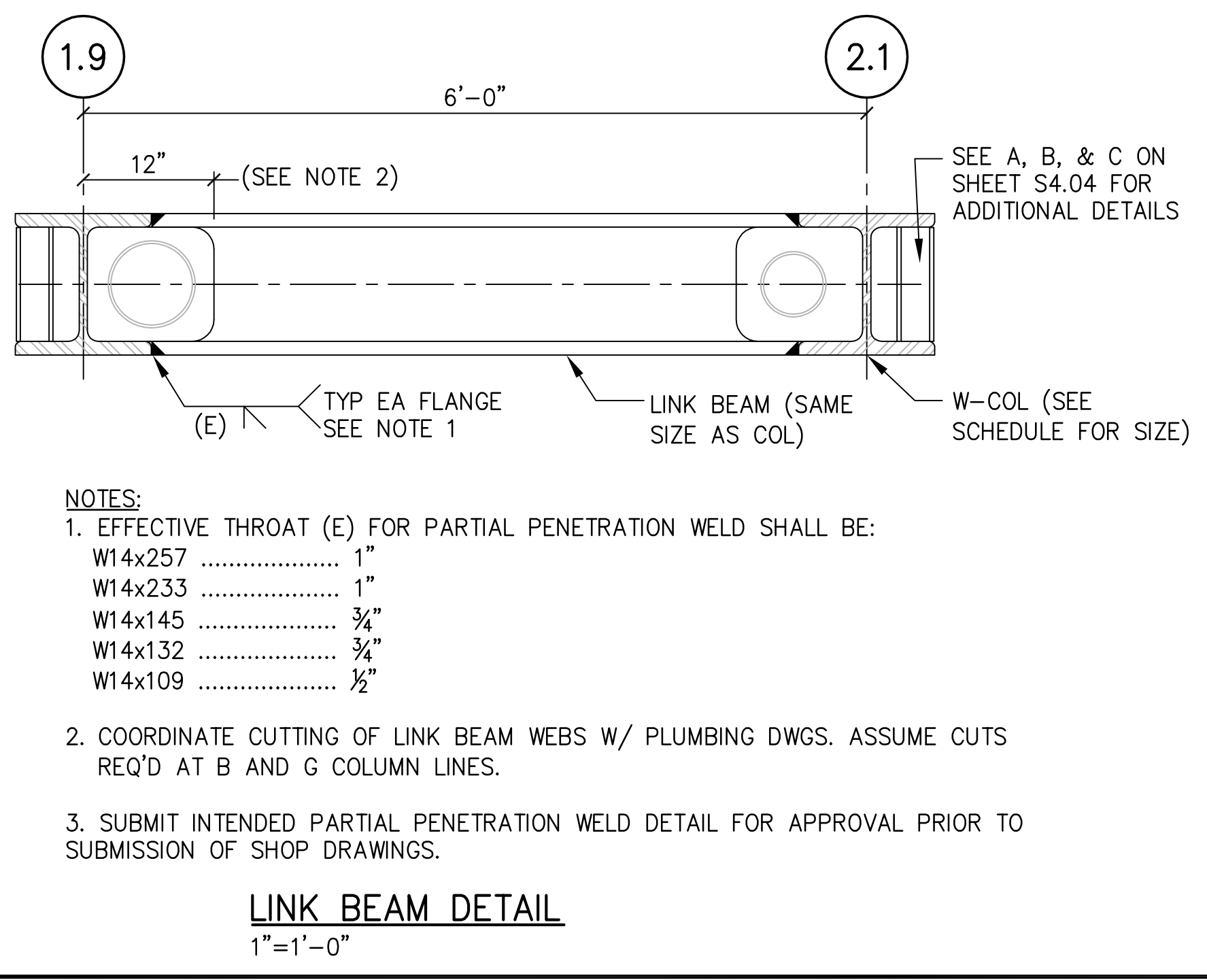
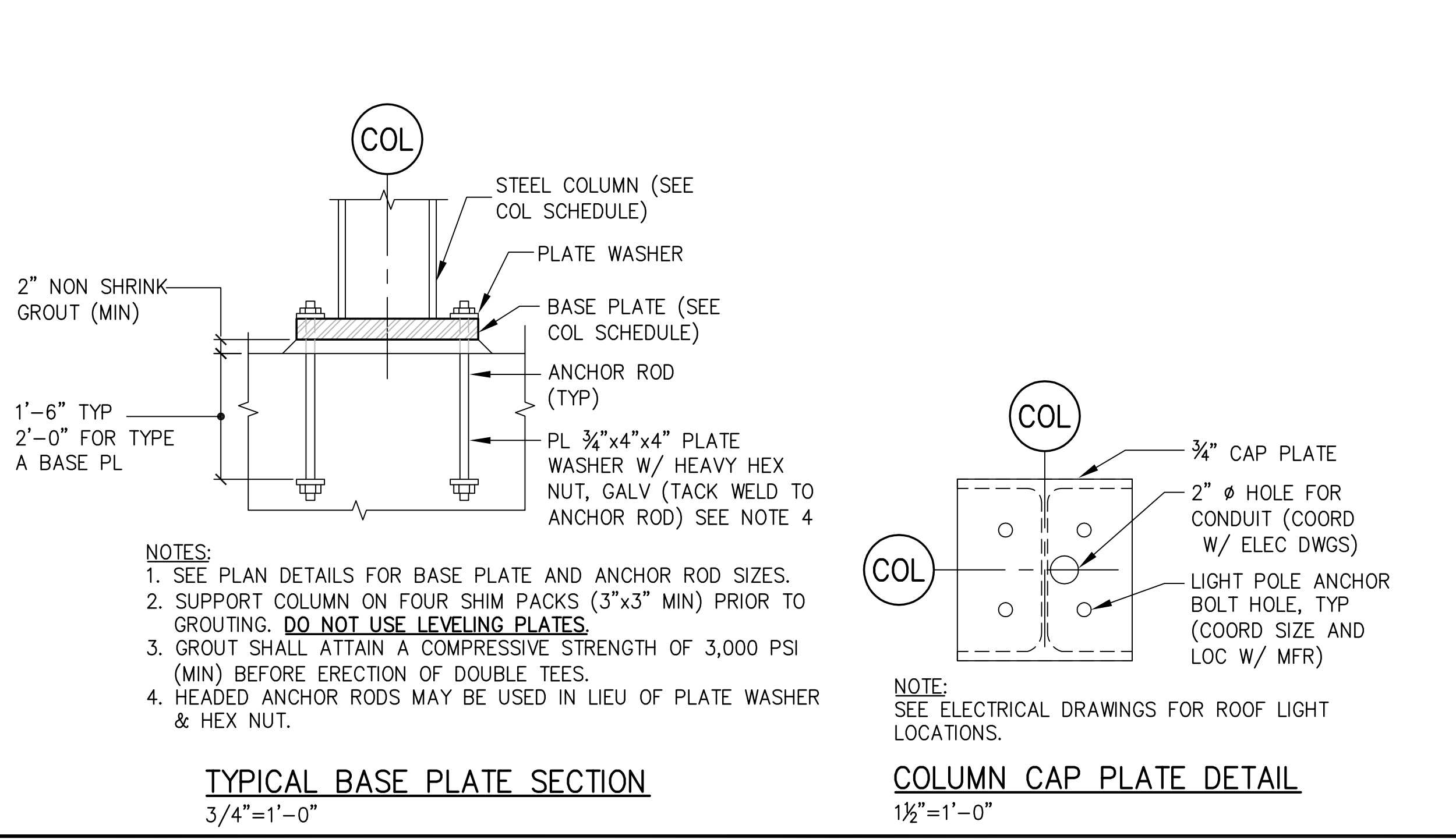
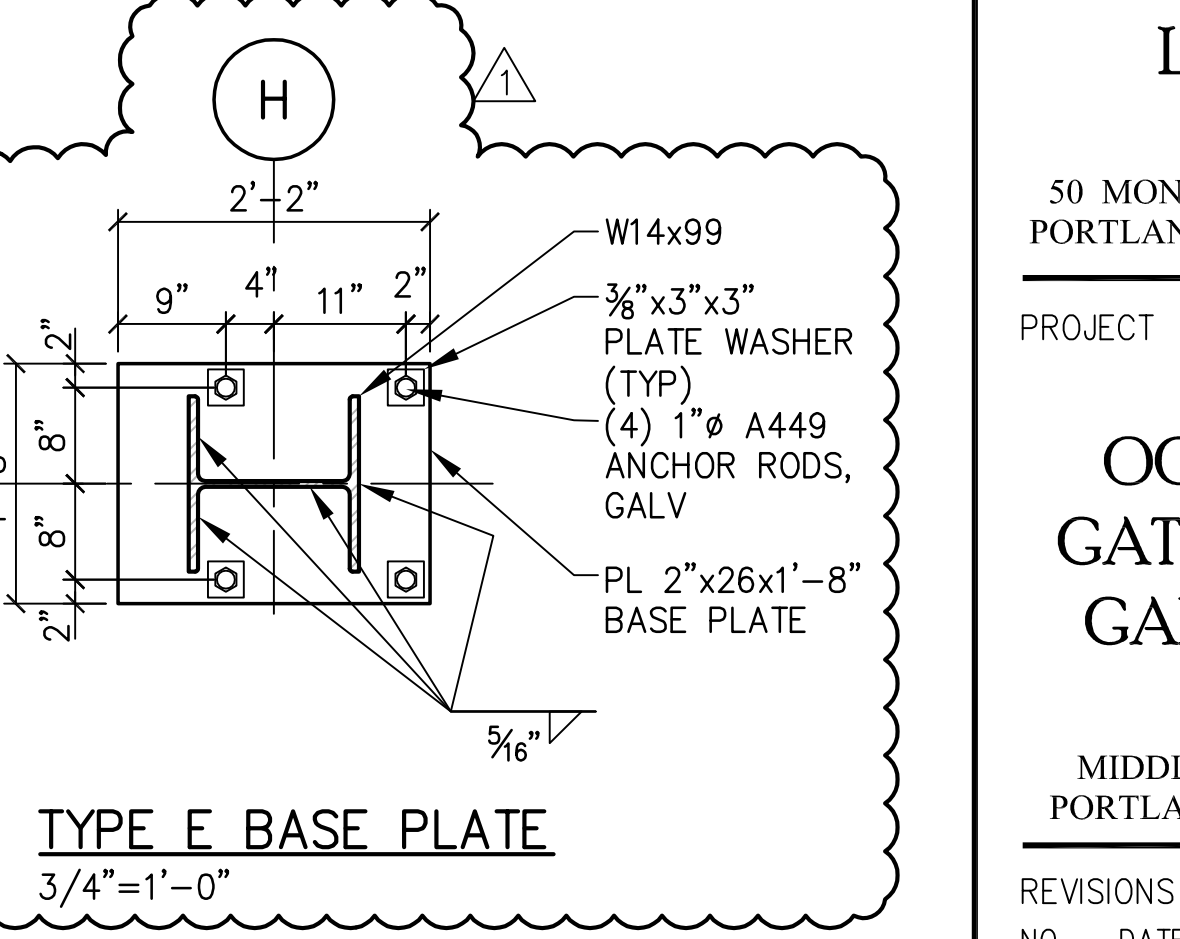
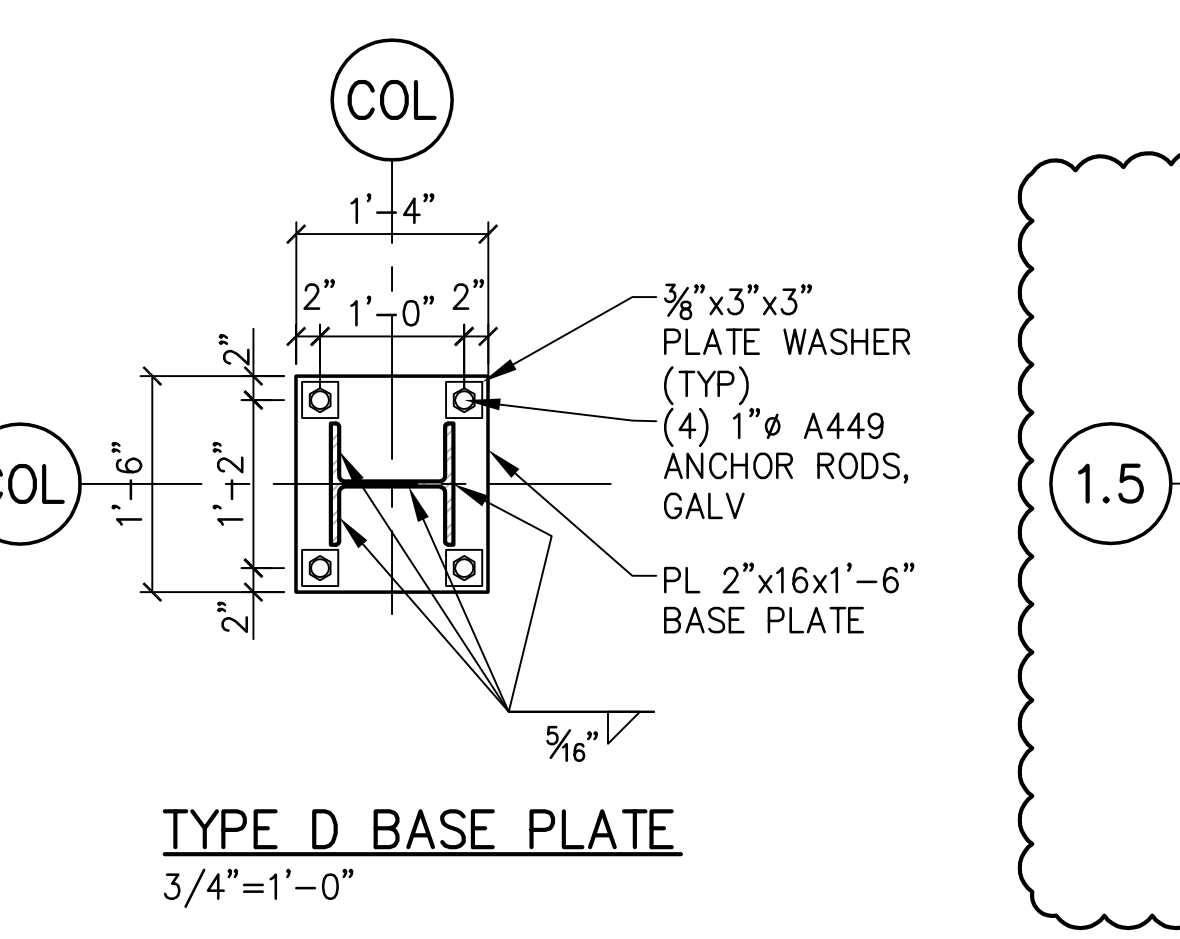
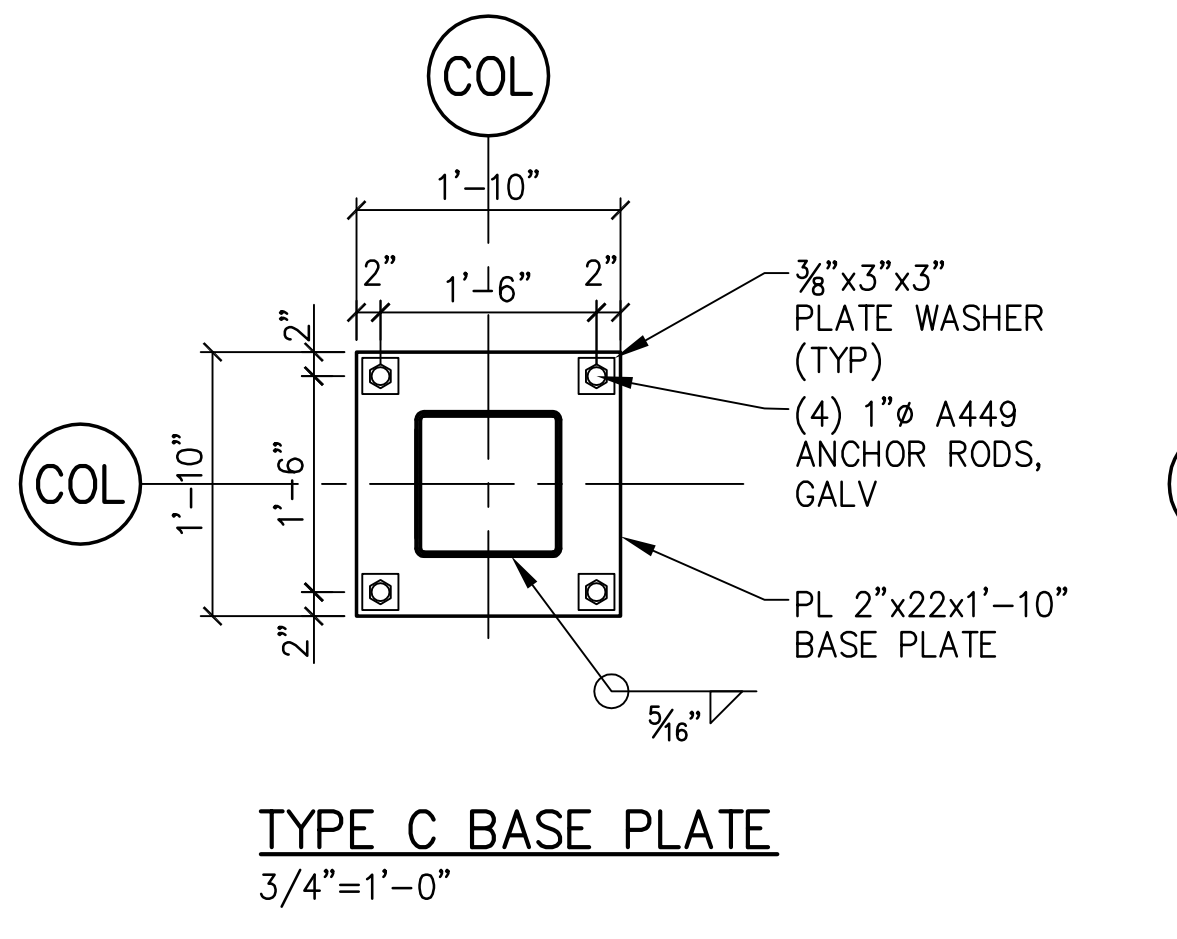
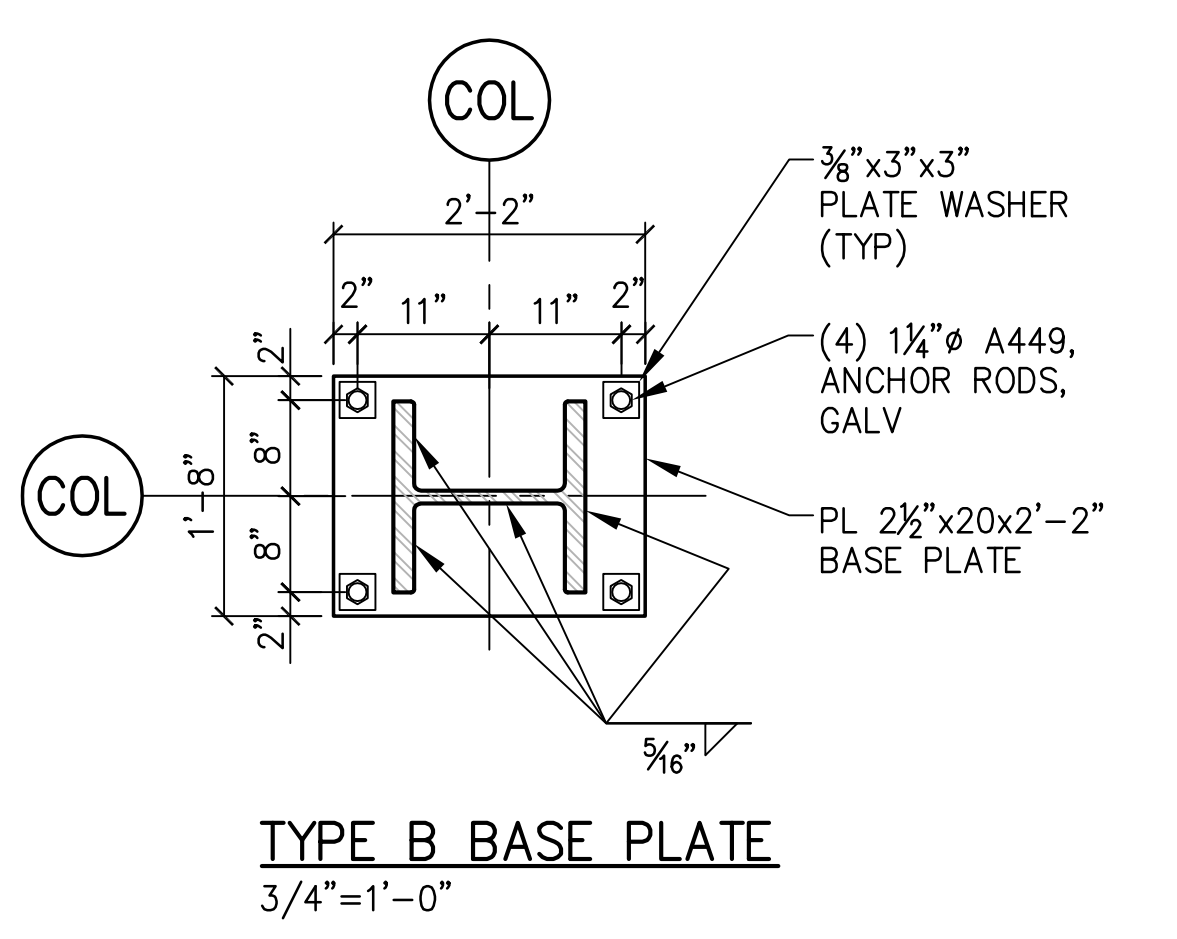
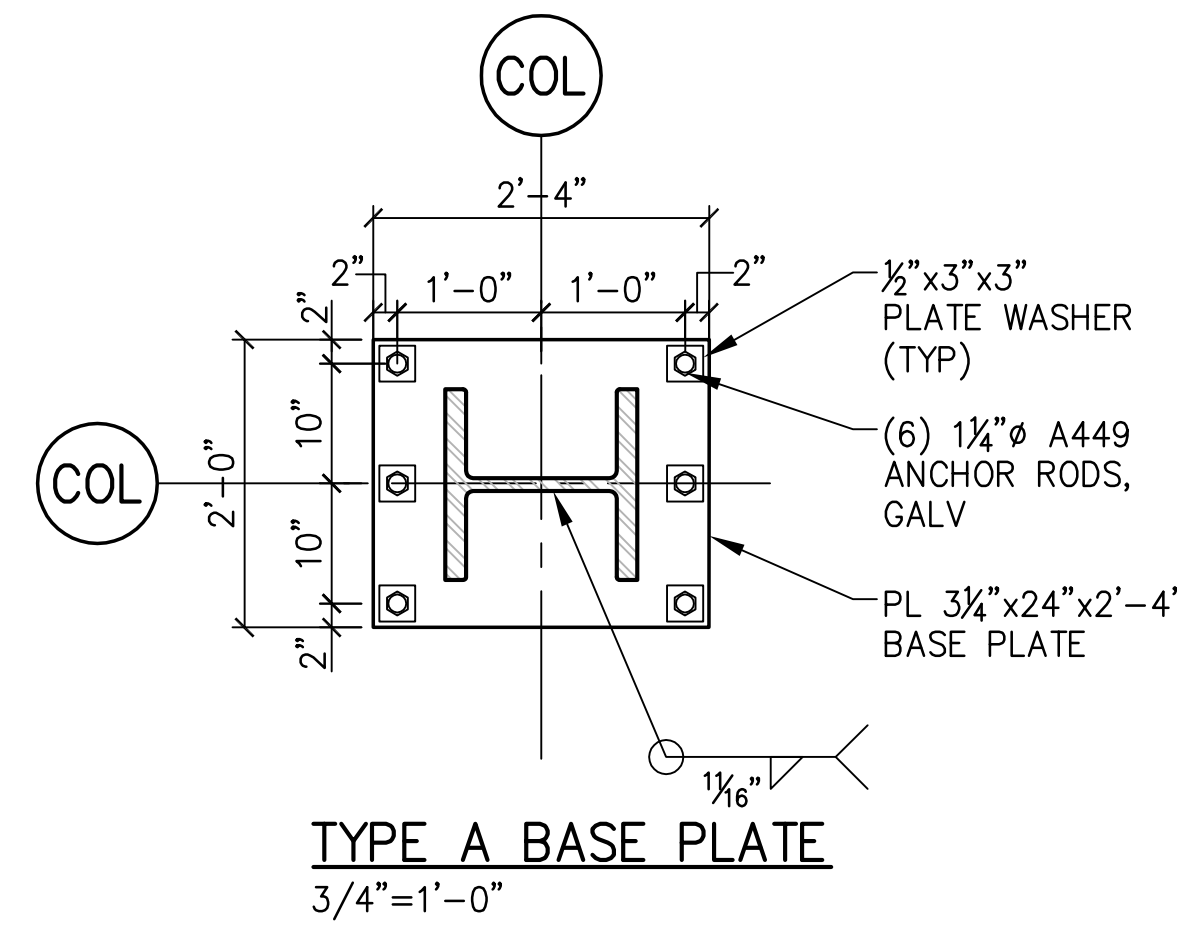


COLUMN SCHEDULE

COLUMN MARK	TOP OF CAP PLATE OR COLUMN ELEVATION	ROOF	FIFTH FLOOR	FOURTH FLOOR	THIRD FLOOR	SECOND FLOOR	FIRST FLOOR	GROUND FLOOR	BASE PLATE TYPE	BASE PLATE SIZE	BOTTOM OF BASE PLATE ELEVATION
A-1	87'-0"			W14x90	ELEV 55'-6 1/2"		W14x90		B	2 1/2" x 20" x 2'-2"	16'-11"
A-1.9	86'-3 3/4"			W14x109	ELEV 58'-8"		W14x145		B	2 1/2" x 20" x 2'-2"	16'-11"
A-2.1	86'-3 3/4"			W14x109	ELEV 58'-8"		W14x145		B	2 1/2" x 20" x 2'-2"	16'-11"
A-2.7	86'-9"			W12x72	ELEV 55'-5"		W12x72		B	2 1/2" x 20" x 2'-2"	17'-2"
A-3	91'-10"			HSS 8x8x0.3125	ELEV 60'-7 1/2"		HSS 8x8x 1/2		C	2' x 22" x 1'-10"	17'-11"
A.2-2.7	82'-2"			W12x72	ELEV 55'-1"		W12x72		B	2 1/2" x 20" x 2'-2"	17'-2"
A.2-3	91'-10"			W14x90	ELEV 55'-9"		W14x90		B	2 1/2" x 20" x 2'-2"	17'-8"
B-1	87'-0"			W14x99	ELEV 55'-5"		W14x132		B	2 1/2" x 20" x 2'-2"	16'-2"
B-1.9	85'-9 1/2"			W14x145	ELEV 58'-2"		W14x257		B	2 1/2" x 20" x 2'-2"	16'-0 3/4"
B-2.1	85'-9 1/2"			W14x145	ELEV 58'-2"		W14x257		B	2 1/2" x 20" x 2'-2"	16'-0 3/4"
B-3	91'-10"			W14x99	ELEV 55'-5"		W14x132		B	2 1/2" x 20" x 2'-2"	15'-6 3/4"
B-3.3	42'-11 1/2"						W10x60		D	2' x 16" x 1'-6"	14'-8"
B.5-3.3	42'-11 1/2"						W10x60		D	2' x 16" x 1'-6"	14'-8"
C-1	87'-0"			W14x132	ELEV 53'-9"		W14x233		A	3 1/4" x 24" x 2'-4"	16'-5"
C-1.9	84'-0"			W14x132	ELEV 53'-4"		W14x233		A	3 1/4" x 24" x 2'-4"	15'-0 3/4"
C-2.1	84'-0"			W14x132	ELEV 53'-4"		W14x233		A	3 1/4" x 24" x 2'-4"	15'-0 3/4"
C-3	88'-10"			W14x132	ELEV 55'-10"		W14x233		A	3 1/4" x 24" x 2'-4"	15'-6 3/4"
C-3.3	42'-11 1/2"						W10x60		D	2' x 22" x 1'-10"	14'-8"
C.5-3.3	42'-11 1/2"						W10x60		D	2' x 22" x 1'-10"	14'-8"
D-1	94'-3"			W14x132	ELEV 62'-7"		W14x233		A	3 1/4" x 24" x 2'-4"	15'-2"
D-1.9	92'-9"			W14x132	ELEV 53'-10"		W14x233		A	3 1/4" x 24" x 2'-4"	14'-8"
D-2.1	88'-9"			W14x132	ELEV 53'-10"		W14x233		A	3 1/4" x 24" x 2'-4"	14'-8"
D-3	88'-10"			W14x132	ELEV 56'-3"		W14x233		A	3 1/4" x 24" x 2'-4"	15'-6 3/4"
D-3.3	42'-11 1/2"						W10x60		D	2' x 16" x 1'-6"	14'-8"
D.5-3.3	42'-11 1/2"						W10x60		D	2' x 16" x 1'-6"	14'-8"
E-1	92'-8"			W14x132	ELEV 60'-11"		W14x233		A	3 1/4" x 24" x 2'-4"	25'-2"
E-1.9	91'-6"			W14x132	ELEV 59'-6"		W14x233		A	3 1/4" x 24" x 2'-4"	18'-2"
E-2.1	88'-6"			W14x132	ELEV 59'-6"		W14x233		A	3 1/4" x 24" x 2'-4"	18'-2"
E-3	88'-10"			W14x132	ELEV 56'-8 1/2"		W14x233		A	3 1/4" x 24" x 2'-4"	15'-6 3/4"
E-3.3	42'-11 1/2"						W10x60		D	2' x 16" x 1'-6"	14'-8"
E.5-3.3	42'-11 1/2"						W10x60		D	2' x 16" x 1'-6"	14'-8"
F-1	91'-0"			W14x132	ELEV 59'-3"		W14x233		A	3 1/4" x 24" x 2'-4"	23'-2"
F-1.9	88'-8"			W14x132	ELEV 60'-0"		W14x233		A	3 1/4" x 24" x 2'-4"	18'-8"
F-2.1	86'-8"			W14x132	ELEV 60'-0"		W14x233		A	3 1/4" x 24" x 2'-4"	18'-8"
F-3	88'-10"			W14x132	ELEV 57'-2"		W14x233		A	3 1/4" x 24" x 2'-4"	15'-6 3/4"
F-3.3	42'-11 1/2"						W10x60		D	2' x 16" x 1'-6"	14'-8"
F.5-3.3	42'-11 1/2"						W10x60		D	2' x 16" x 1'-6"	14'-8"
G-1	89'-3"			W14x99	ELEV 57'-7"		W14x132		B	2 1/2" x 20" x 2'-2"	20'-8"
G-1.9	88'-0"			W14x145	ELEV 57'-8"		W14x257		B	2 1/2" x 20" x 2'-2"	19'-2"
G-2.1	88'-0"			W14x145	ELEV 57'-8"		W14x257		B	2 1/2" x 20" x 2'-2"	19'-2"
G-3	98'-8 1/2"			W14x99	ELEV 57'-7"		W14x132		B	2 1/2" x 20" x 2'-2"	15'-6 3/4"
G-3.3	42'-11 1/2"						W10x60		D	2' x 16" x 1'-6"	14'-8"
G.4-2.3	84'-6"			W12x72	ELEV 57'-0"		W12x72		B	2 1/2" x 20" x 2'-2"	15'-6 3/4"
G.4-3	98'-8 1/2"			W14x90	ELEV 57'-11"		W14x90		B	2 1/2" x 20" x 2'-2"	15'-2"
H-1	88'-3"			W14x90	ELEV 57'-9"		W14x90		B	2 1/2" x 20" x 2'-2"	20'-11 1/4"
H-1.5	88'-3"			W14x99	ELEV 56'-11"		W14x99		B	2 1/2" x 20" x 2'-2"	19'-5 3/4"
H-1.9	88'-3"			W14x109	ELEV 58'-2"		W14x145		B	2 1/2" x 20" x 2'-2"	19'-8"
H-2.1	89'-5"			W14x109	ELEV 58'-2"		W14x145		B	2 1/2" x 20" x 2'-2"	19'-8"
H-2.3	88'-3"			W12x72	ELEV 57'-5"		W12x72		B	2 1/2" x 20" x 2'-2"	12'-6 3/4"
H-2.9	98'-8 1/2"			HSS 8x8x0.3125	ELEV 62'-2 1/2"		HSS 8x8x 1/2		C	2' x 22" x 1'-10"	15'-2"

- NOTES:**
- 3/8" CAP PL AT COLUMNS THAT EXTEND ABOVE ROOF LEVEL (TYP).
3/4" CAP PL AT COLUMNS THAT RECEIVE ROOF LIGHT POLES.
 - ⊗ INDICATES COLUMNS THAT SUPPORT LIGHT POLES.
 - HSS COLUMNS TO RECEIVE WELD SPLICES.
- COLUMN SPLICE NOTES:**
- AT MOMENT FRAME COLUMNS PROVIDE AISC CASE VIII W/ FULL PENETRATION WELDS.
 - AT NON-MOMENT-FRAME COLUMNS PROVIDE AISC CASE VIII W/ PARTIAL PENETRATION WELDS.
 - ALTERNATE DETAILS MAY BE SUBMITTED FOR APPROVAL PRIOR TO SUBMISSION OF SHOP DRAWINGS.
 - MOMENT FRAME COLUMNS ARE CONSIDERED TO BE ALL COLUMNS ALONG 1.9 & 2.1 LINES AND ALL COLUMNS W/ BEAM CONNECTED BY FRAME MOMENT CONNECTION.
 - SPLICE LOCATIONS MAY BE ADJUSTED +1'-3" AS NECESSARY.



- NOTES:**
- EFFECTIVE THROAT (E) FOR PARTIAL PENETRATION WELD SHALL BE:
W14x257 1"
W14x233 1"
W14x145 3/4"
W14x132 3/4"
W14x109 1/2"
 - COORDINATE CUTTING OF LINK BEAM WEBS W/ PLUMBING DWGS. ASSUME CUTS REQ'D AT B AND G COLUMN LINES.
 - SUBMIT INTENDED PARTIAL PENETRATION WELD DETAIL FOR APPROVAL PRIOR TO SUBMISSION OF SHOP DRAWINGS.