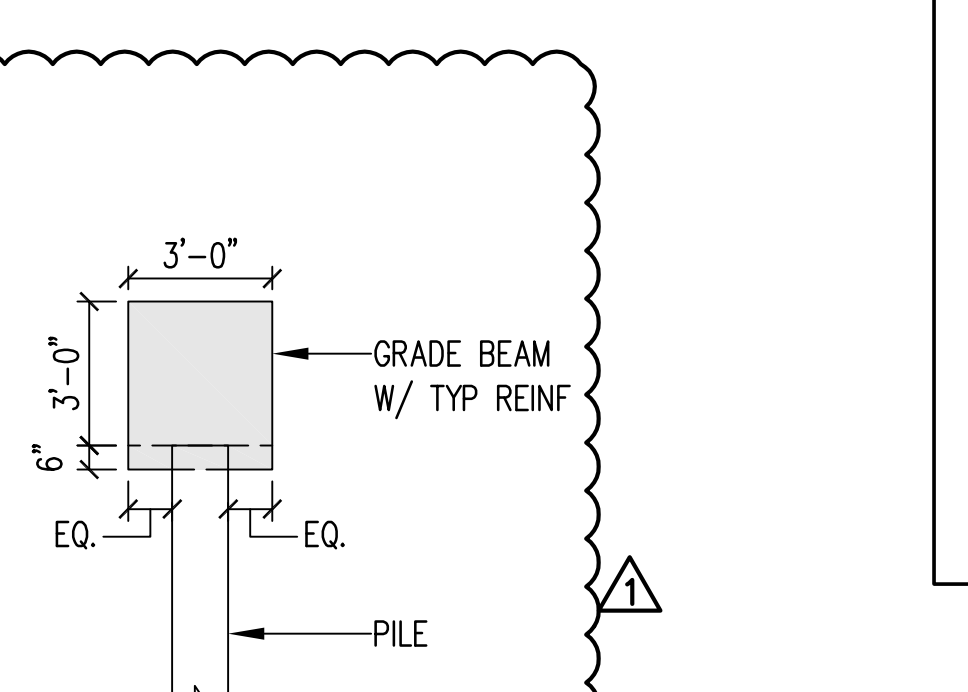
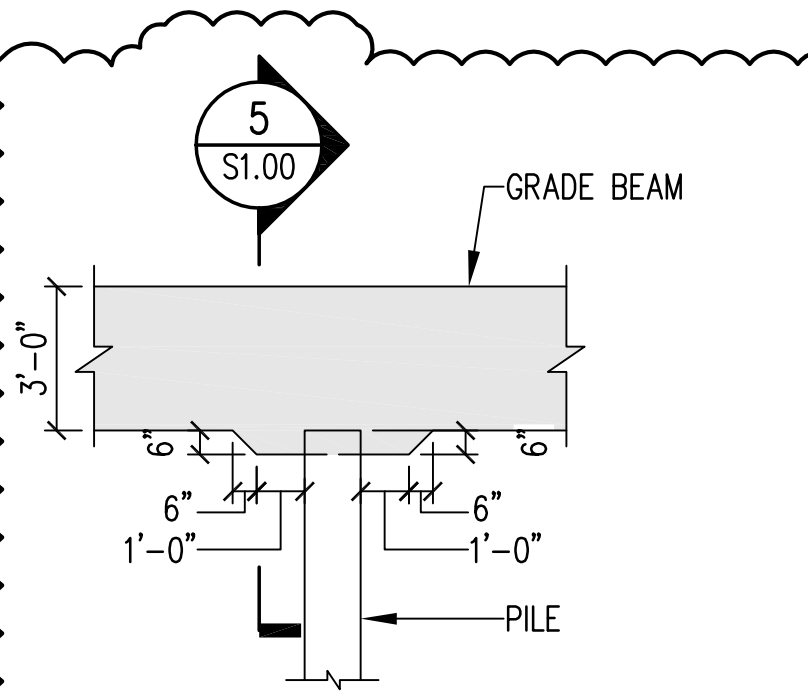
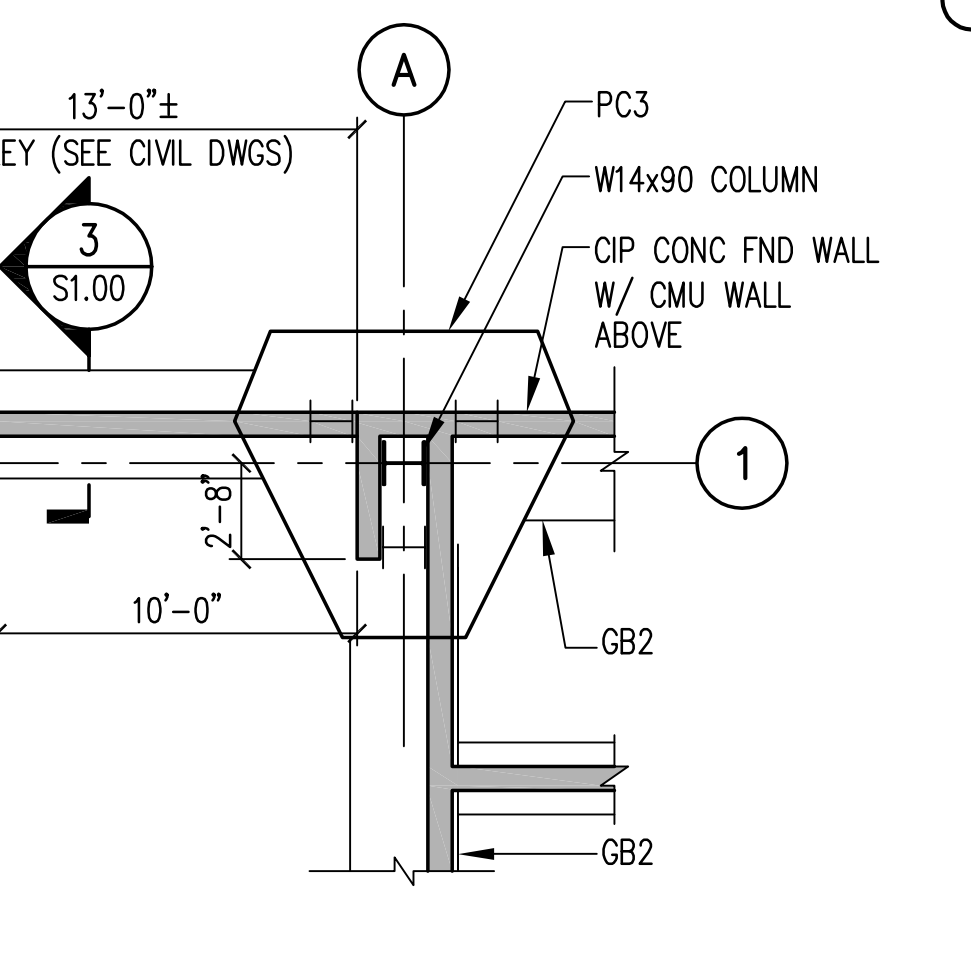
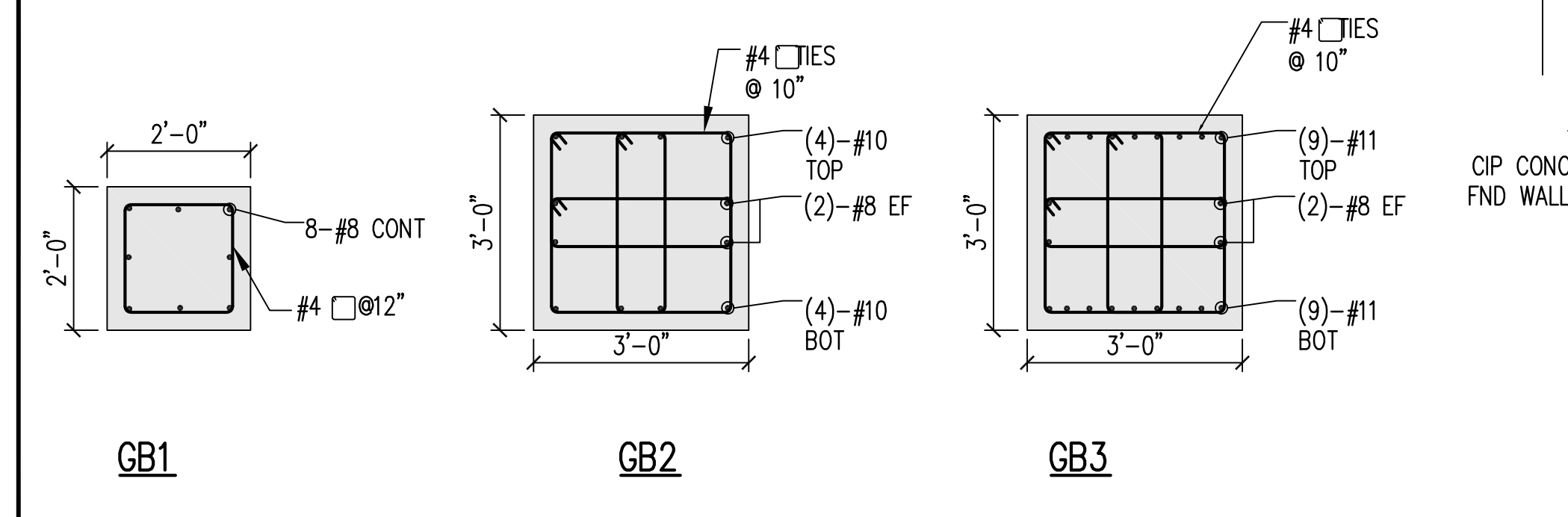


TABLE 1
 RETAIL PLASTER ANGLE (FROM N/S COL LINES)

LOCATION	ANGLE
B/3.3	78.01°
B.5/3.3	81.02°
C/3.3	83.88°
C.5/3.3	86.74°
D/3.3	89.58°
D.5/3.3	92.14°
E/3.3	94.64°
E.5/3.3	97.25°
F/3.3	99.78°
F.5/3.3	102.35°
G/3.3	101.84°

TYP. REF ANGLE



TOP OF PERIMETER BRICK SHELF & WALL @ PILASTERS
 1/8"=1'-0"

LOCATION	TOP OF BRICK SHELF	TOP OF WALL
A/2.7	18.65'	19.20'
A.2/3	18.36'	19.20'
B/3.3	17.69'	18.36'
B.5/3.3	17.69'	18.36'
C/3.3	17.36'	18.36'
C.5/3.3	17.02'	18.03'
D/3.3	16.69'	17.70'
D.5/3.3	16.02'	16.40'
E/3.3	16.02'	16.40'
E.5/3.3	16.02'	16.40'
F/3.3	16.02'	16.40'
F.5/3.3	16.02'	16.40'
G/3.3	16.02'	16.40'
G.4/3	16.02'	16.40'
H/3	N/A	16.40'
H/2.3	16.69'	16.40'
H/2.1/1.9	19.02'	21.70'
H/1.5	20.08'	22.50'
H/1	21.69'	23.30'

NOTE: FOR OTHER WALL ELEVATIONS, SEE FOUNDATION PLAN.

- NOTES:**
- FOR GENERAL INFORMATION, SEE SHEET S0.01
 - FOR COLUMN SCHEDULE AND DETAILS, SEE SHEET S2.01.
 - FOR FOUNDATION SECTIONS AND DETAILS AND FOR PILE CAP DETAILS, SEE SHEET S3.01.
 - FOR TYPICAL DETAILS, SEE SHEET S7.01.
 - FOR ALLOWABLE PILE CAPACITIES, SEE GENERAL NOTES.
 - FOR INDICATOR PILE REQUIREMENTS, SEE SPECIFICATIONS.
 - PROVIDE CONTROL JOINTS IN ABOVE GRADE CAST-IN-PLACE WALL AT 20 FT MAXIMUM SPACING.
 - USE HP14x117 PILES UON
- LEGEND:**
- CIP WALL
 - [XX.XX'] TOP OF PILE CAP OR WALL ELEVATION
 - (XX.XX') BOTTOM OF FOOTING ELEVATION
 - {X'-X"} INVERT ELEV OF HDPE FOUNDATION DRAIN PIPE
 - < > INDICATES PILE CAP GEOMETRY IF ALTERNATE HP12x53 SIZE PILES ARE USED
 - ▲ INDICATES EITHER HP14x117 OR HP12x53 SIZE PILES MAY BE USED WITH NO ALTERATIONS TO PILE CAP GEOMETRY AS SHOWN
 - ⊖ FOUNDATION DRAIN (AND CLEAN OUT LOCATION)
 - 4" DIA HDPE PERFORATED PIPE
 - 4" DIA SOLID HDPE PIPE
 - PCX INDICATES PILE CAP. SEE SHEET S3.01 FOR DETAILS
 - GBX INDICATES GRADE BEAM. SEE DETAILS AT THIS SHEET
 - ⊙ INDICATES 1'-0" DIA x 4'-6" DEEP SONO TUBE W/ (3) #9 VERT BARS AND #4@12" OC TIES (TYP)

OWNER
OCEAN GATEWAY GARAGE LLC
 PORTLAND, ME

CLIENT
RIVERWALK, LLC
 50 MONUMENT SQ.
 PORTLAND, ME 04101

PROJECT
OCEAN GATEWAY GARAGE
 MIDDLE STREET
 PORTLAND, MAINE

REVISIONS

NO.	DATE	DESCRIPTION
Δ	8.10.07	BULLETIN 1



DRAWING TITLE
FOUNDATION PLAN

SHEET NUMBER
S1.00