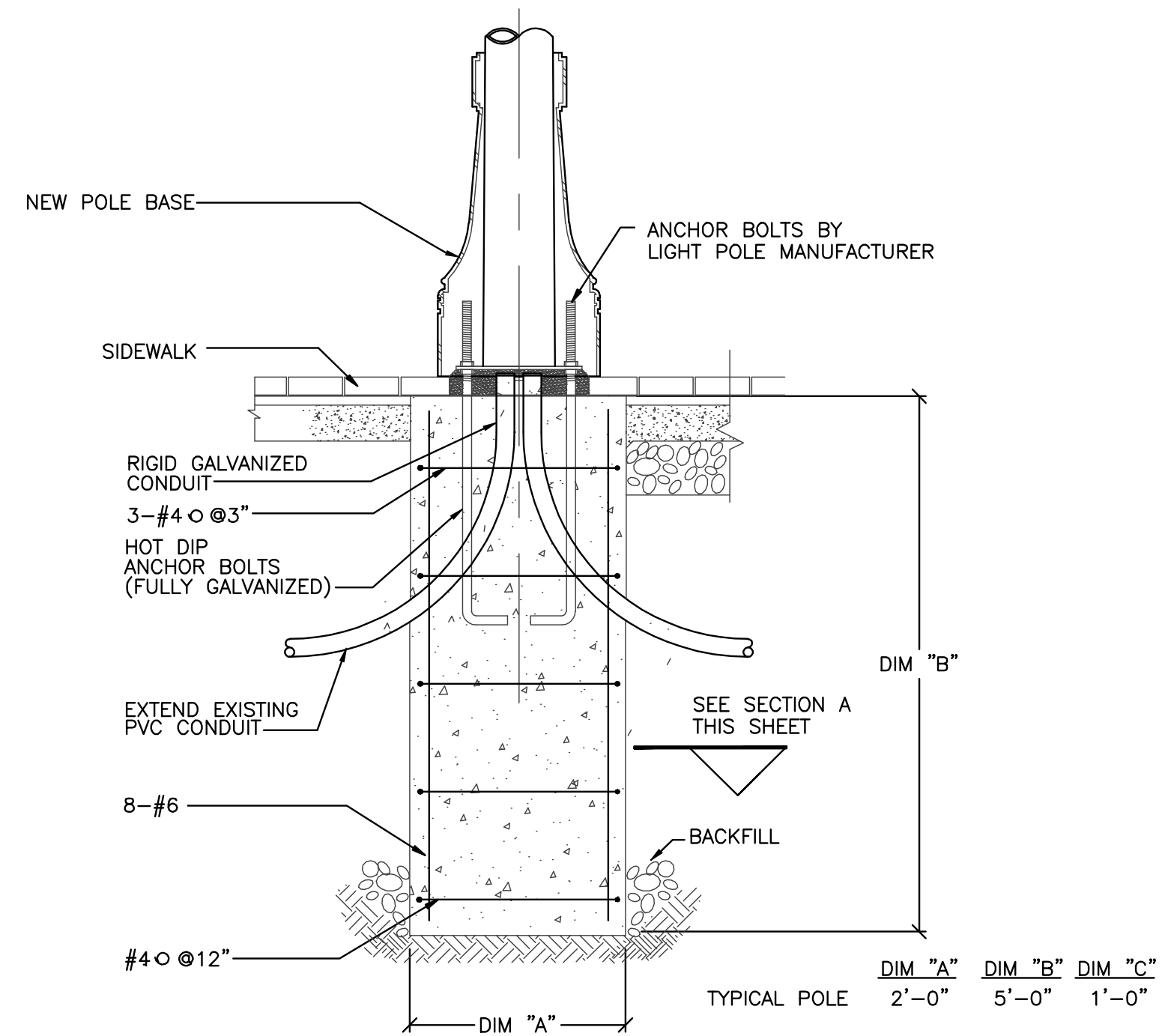
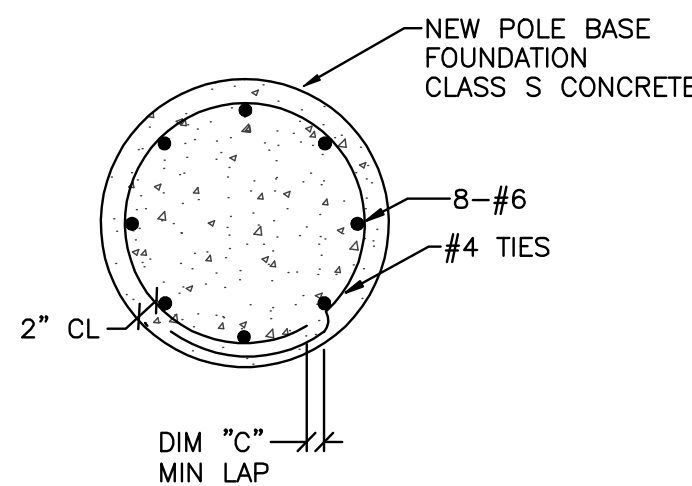
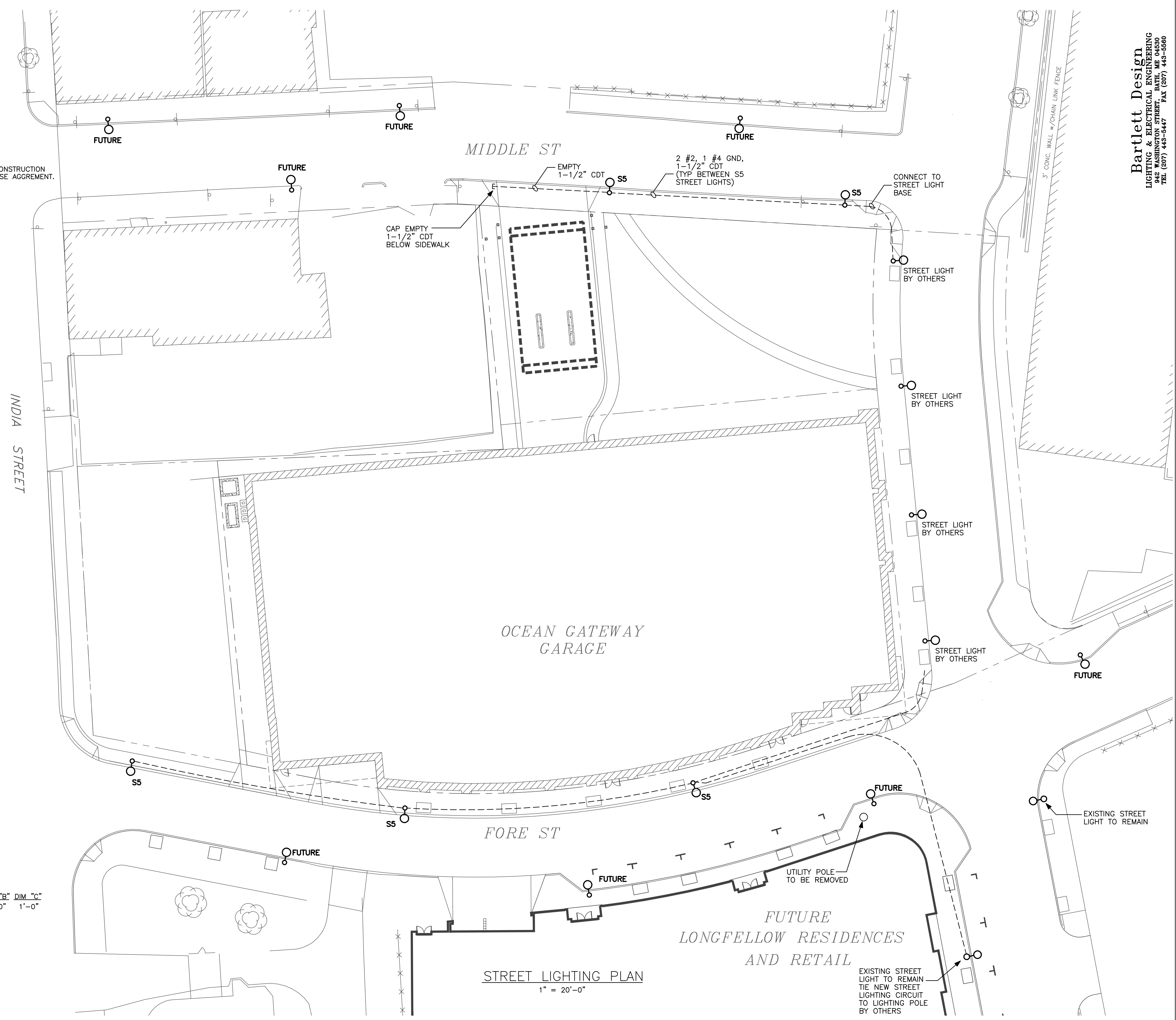


NOTES:
 1. TYPE S5 LIGHTING POLES AND BRACKET ARMS SHALL BE PROVIDED UNDER THE APPLICABLE CONSTRUCTION CONTRACT. LUMINAIRES TO BE PROVIDED BY CMP UNDER THE MUNICIPAL STREET LIGHTING LEASE AGREEMENT.
 LIGHTING POLE: HOLOPHANE TAPERED STEEL SHAFT 20'-0" HIGH
 BRACKET ARM: HOLOPHANE #0UC ALUMINUM ARM 4'-3" HIGH BY 3'-9" EXTENSION
 SLIP FITTER: HOLOPHANE #BHLF200-SCA/AS
 LUMINAIRE: HOLOPHANE ESPLANADE SERIES ESU175MH1244-R (BLACK) (BY CMP)

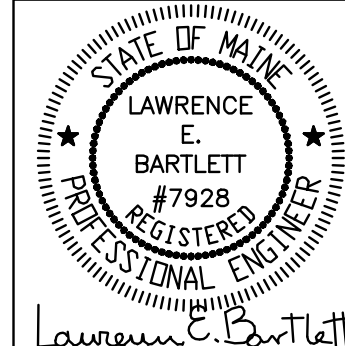


LIGHTING POLE BASE DETAIL
 NOT TO SCALE



Bartlett Design
 LIGHTING & ELECTRICAL ENGINEERING
 942 WASHINGTON STREET, BATH, ME 04530
 TEL (207) 448-5447 FAX (207) 448-5560

WOODARD & CURRAN
 Engineering · Science · Operations
 PORTLAND, MAINE
 800-428-4282



REV	DESCRIPTION	DATE	CHECKED BY:
2	BULLETIN 1	8/10/07	LEB
1	CONSTRUCTION SET	2/22/07	LC

RIVERWALK, LLC
 2 MARKET STREET, SUITE 500
 PORTLAND, ME 04101

OCEAN GATEWAY PARKING GARAGE
 STREET LIGHTING PLAN

JOB NO.: 203555.05
 DATE: FEBRUARY 22, 2007
 SCALE: 1" = 20'-0"
 SHEET: 1 OF 1

SL-1