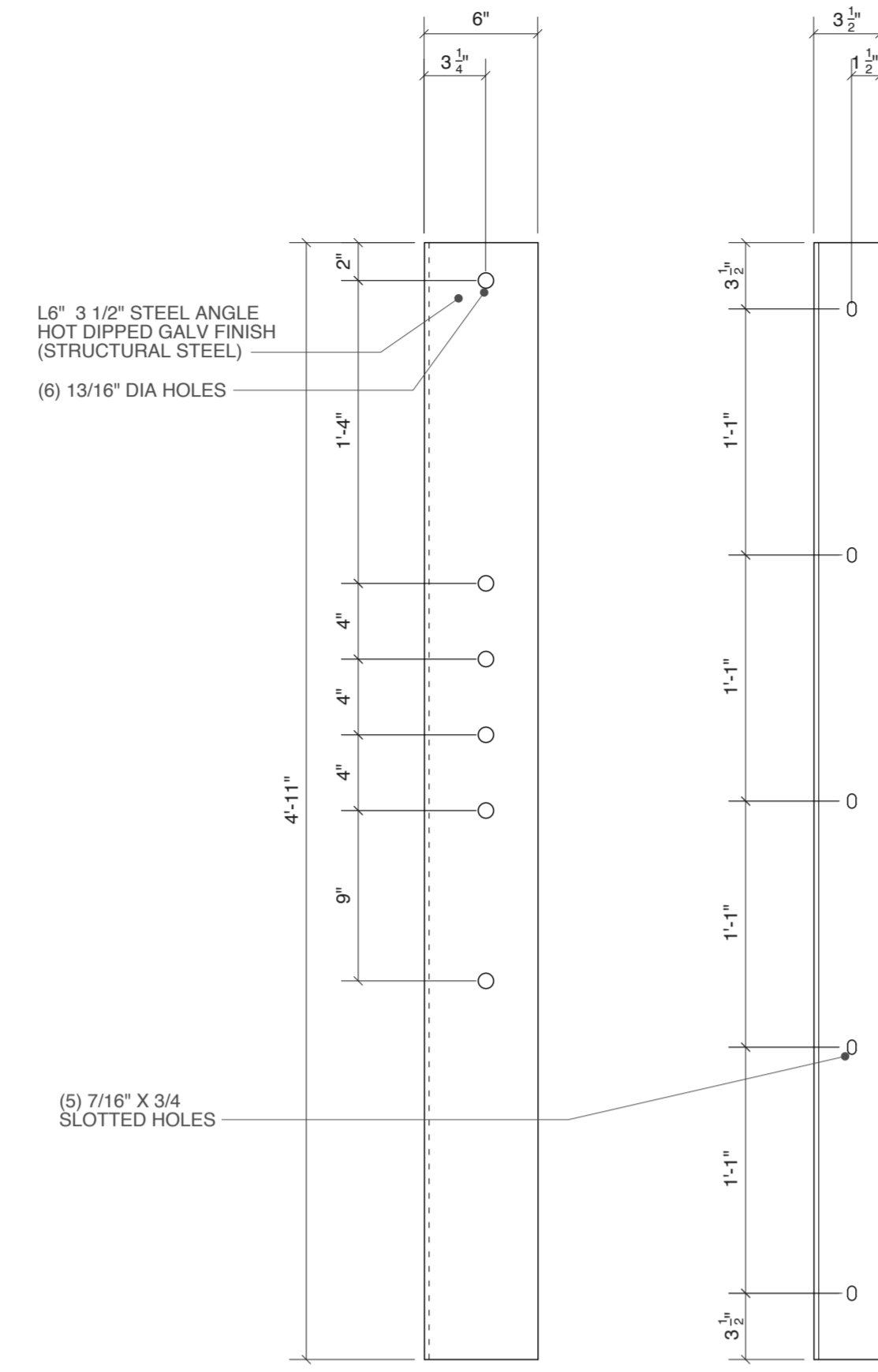
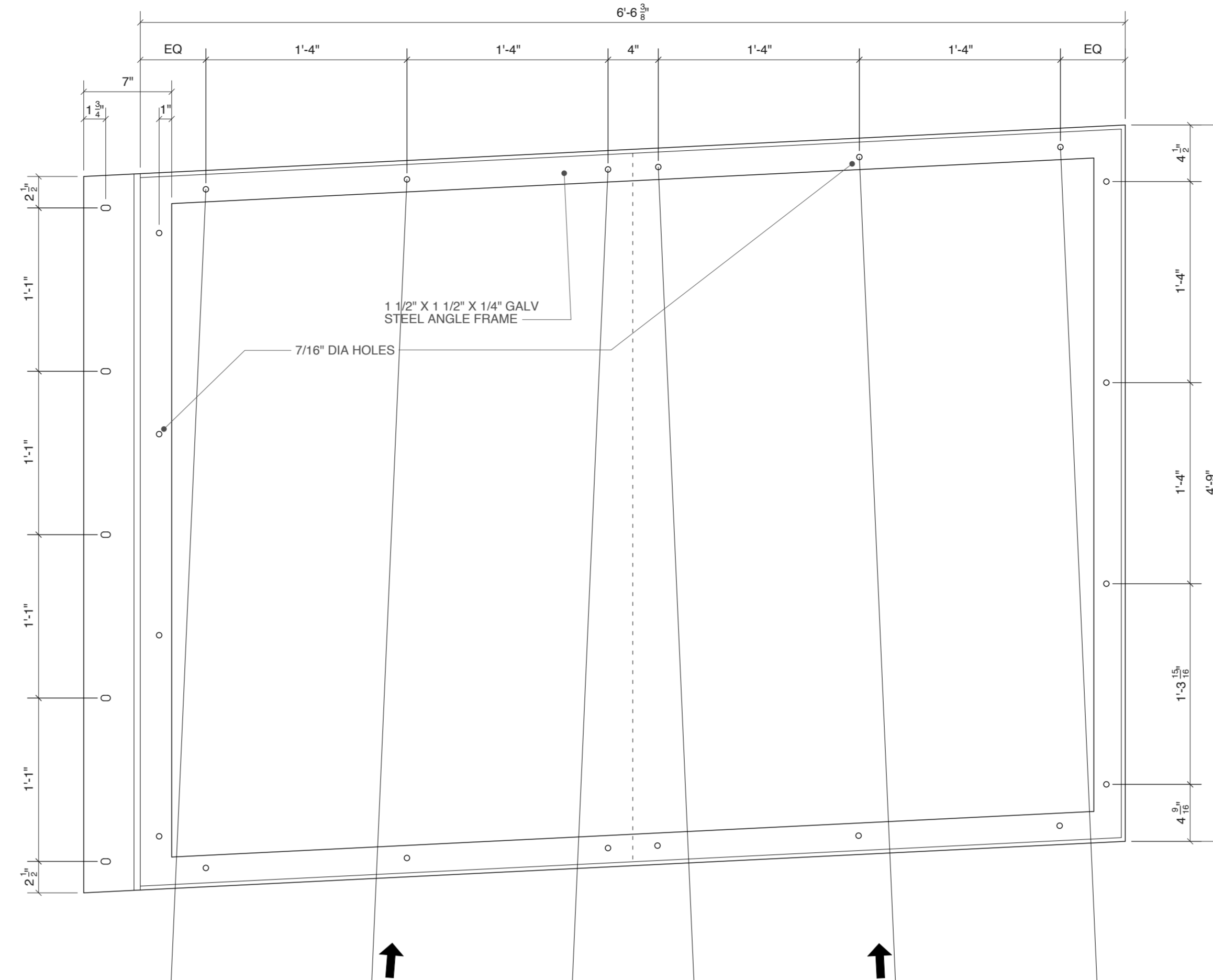


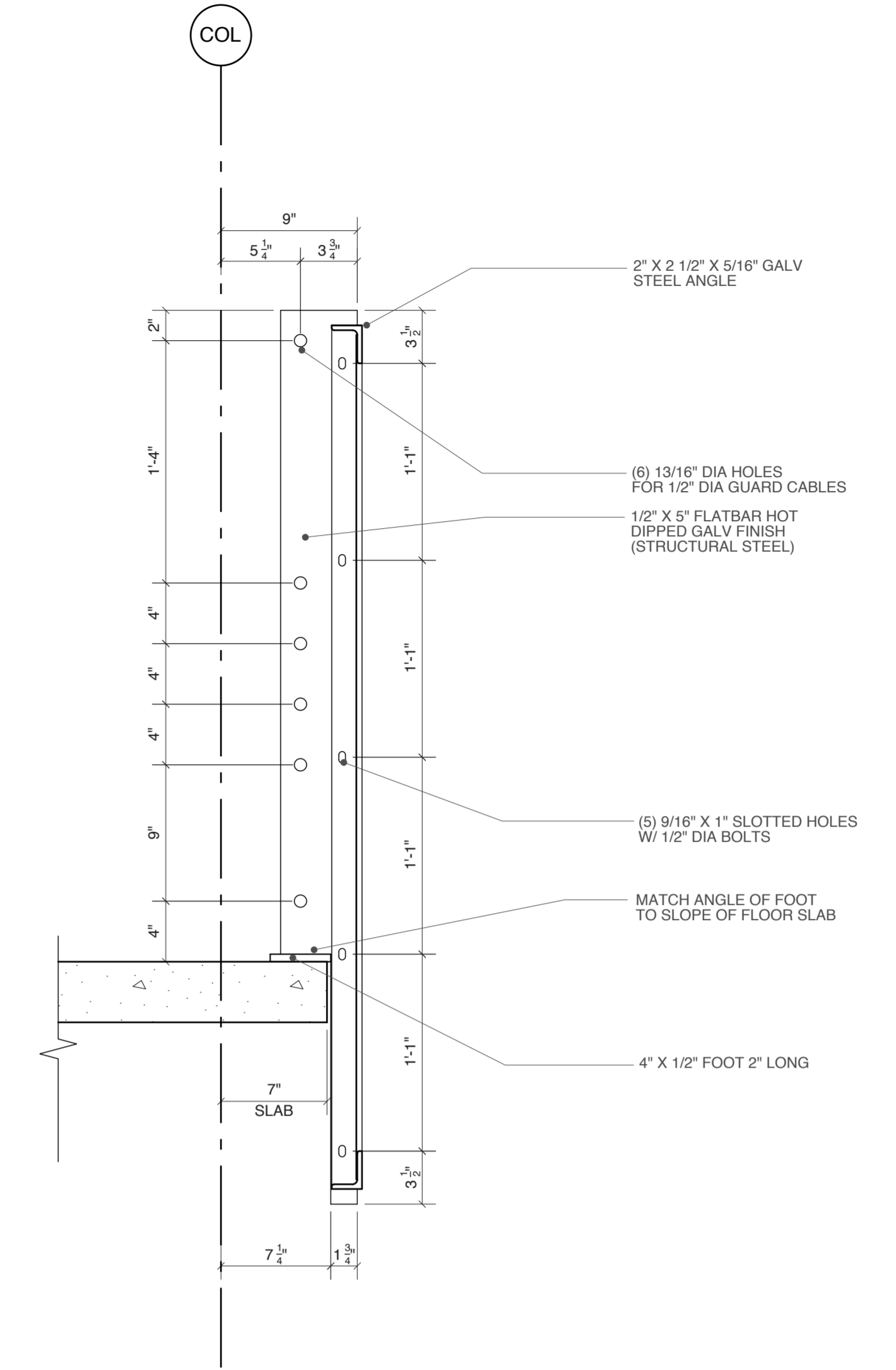
1 GUARD RAIL PLAN DETAIL
SCALE : 3" = 1'-0"



2 GUARD RAIL COLUMN ANGLE
SCALE : 1 1/2" = 1'-0"



3 GUARD RAIL FRAME ELEVATION
SCALE : 1 1/2" = 1'-0"



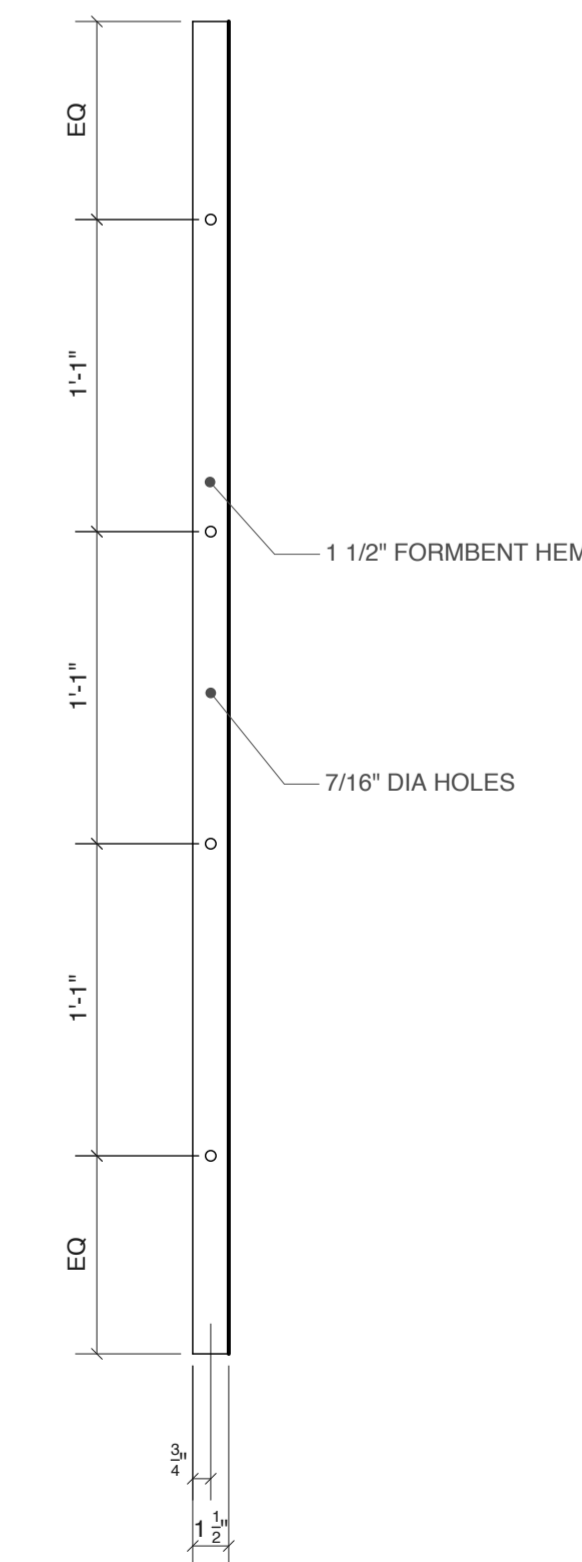
4 GUARD RAIL SECTION DETAIL
SCALE : 1 1/2" = 1'-0"



7 GUARD RAIL PANEL ELEVATION
SCALE : 1 1/2" = 1'-0"

5 NOT USED
SCALE : 3" = 1'-0"

6 NOT USED
SCALE : 1 1/2" = 1'-0"



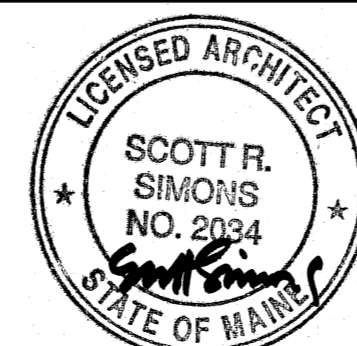
8 GUARD RAIL PANEL SECTION
SCALE : 1 1/2" = 1'-0"

GENERAL NOTES:
1) THIS ASSEMBLY DRAWING SHALL BE USED AS AN AID IN UNDERSTANDING THE DETAIL OF MISC METALS COMPONENTS AND HOW THEY ARE ASSEMBLED. THIS DRAWING REPRESENTS A TYPICAL ASSEMBLY, NOT A SPECIFIC PIECE OF THE GARAGE. SEE OTHER ARCHITECTURAL DETAIL DRAWINGS FOR LOCATION SPECIFIC INFORMATION.
2) ALL BOLTS HARDWARE SHALL BE HOT DIPPED GALVANIZED.
3) ALL FRAMES AND PANELS WILL VARY IN SIZE AND ANGLE. GC TO FIELD VERIFY DIMENSIONS AND SLOPES OF FLOOR SLABS.

STRUCTURAL PARKING ENGINEER:
SIMON DESIGN ENGINEERING LLC
42 Washington Street, Suite 300
Wellesley, Massachusetts 02481
www.sde-us.com

CIVIL ENGINEER:
WOODARD & CURRAN
Engineering • Science • Operations

ARCHITECT:
SSA
Scott Simons Architects



PROJECT:
**OCEAN GATEWAY
PARKING GARAGE**
MIDDLE STREET
PORTLAND, MAINE

TITLE:
**TYPICAL GUARD
RAIL ASSEMBLY**

REVISION/DATE:
ADDENDUM #1: MARCH 20, 2007
PLANNING REVIEW: MAY 22, 2007
BULLETIN #1: AUGUST 10, 2007

STATUS:
CONSTRUCTION DRAWINGS

DATE:
08.06.2007
PROJECT NO.
2005-0161
SCALE:
AS NOTED
DWG NO.
A603

THIS DRAWING IS THE PROPERTY OF
SCOTT SIMONS ARCHITECTS
AND IS NOT TO BE COPIED OR
REPRODUCED IN PART OR WHOLE.
2007 © Scott Simons Architects