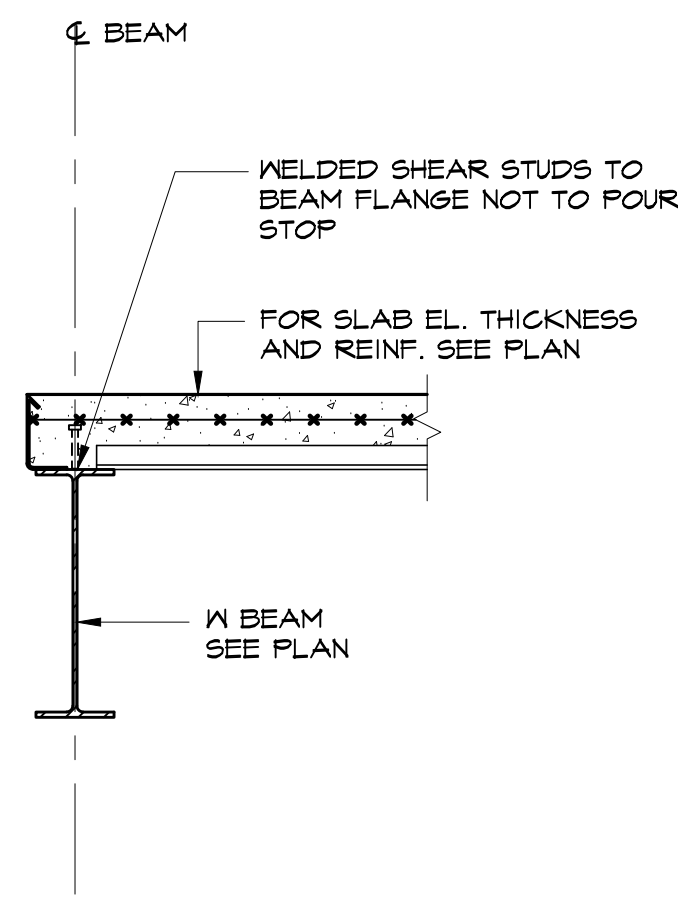
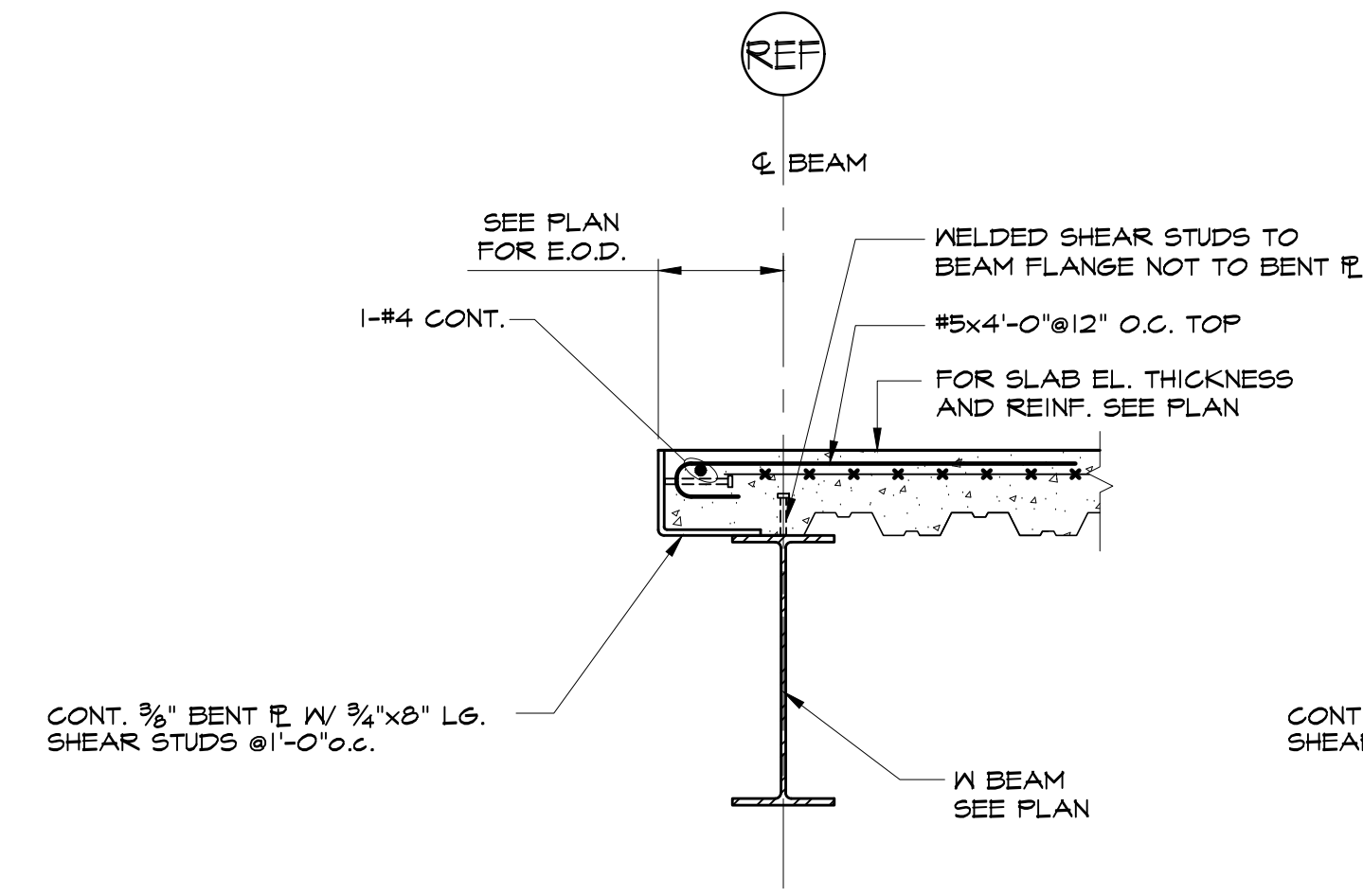


SECTION 1
3/4" = 1'-0" (S5.01)

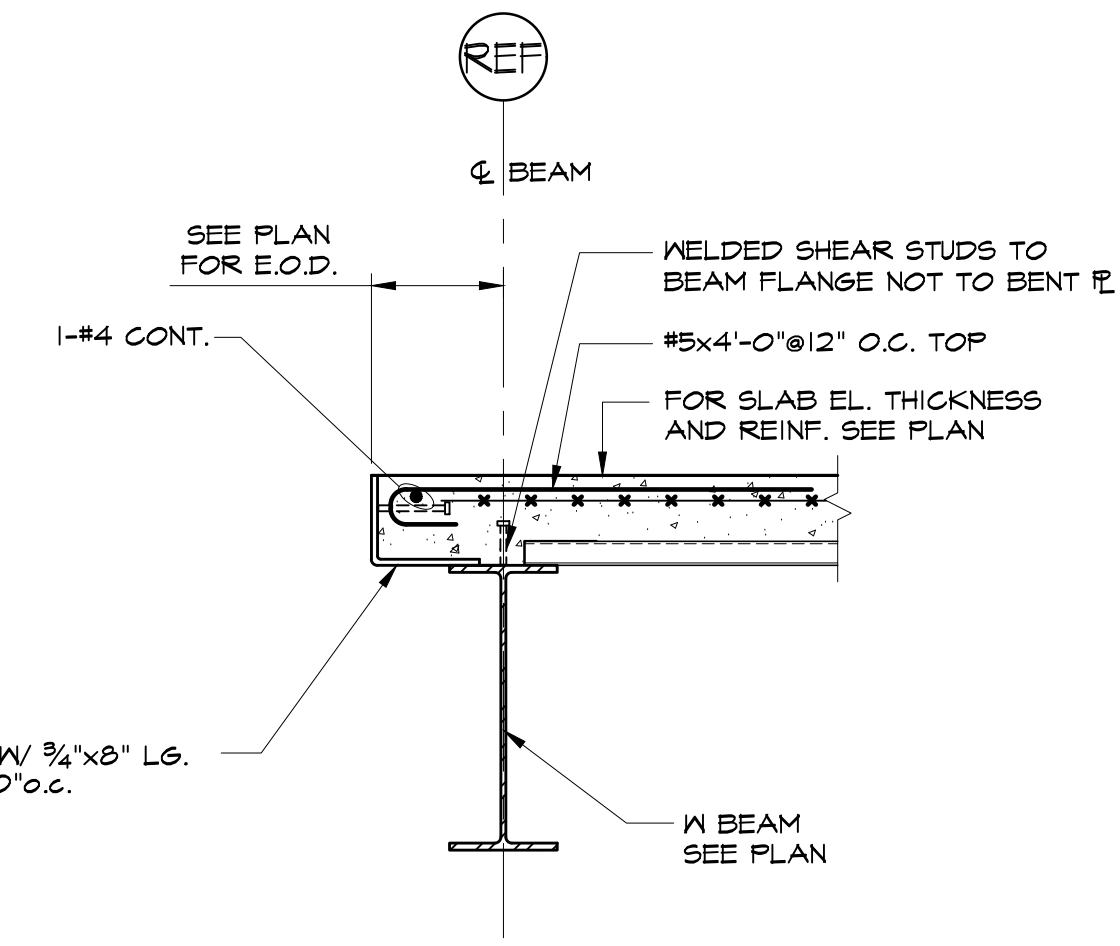


NOTE:
FOR INFORMATION NOT SHOWN SEE SECTION 0/55.01

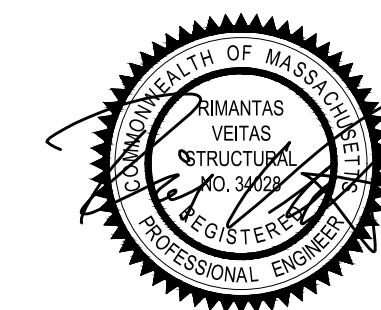
SECTION 2
3/4" = 1'-0" (S5.01)



SECTION 3
3/4" = 1'-0" (S5.01)



SECTION 4
3/4" = 1'-0" (S5.01)



VEITAS and VEITAS
engineers

639 Granite Street, Suite 101
Braintree, Massachusetts 02184
TEL (781)843-2863 FAX (781)849-2065

KEY SECTION:

Prepared For: Owner	Project: Ocean Gateway Addition	Revisions: 10-14-2016 Permit Set 05-04-2017 Revised Bid Set
	167 Fore Street Portland, Maine	
Architect: ARCHETYPE Architects 48 Union Wharf Portland, Maine 04101 (207) 772-6022 ARCHETYPE@ARCHETYPEPA.COM	Date: 10 / 14 / 2016	Scale: As indicated
SECTIONS AND DETAILS		S5.01