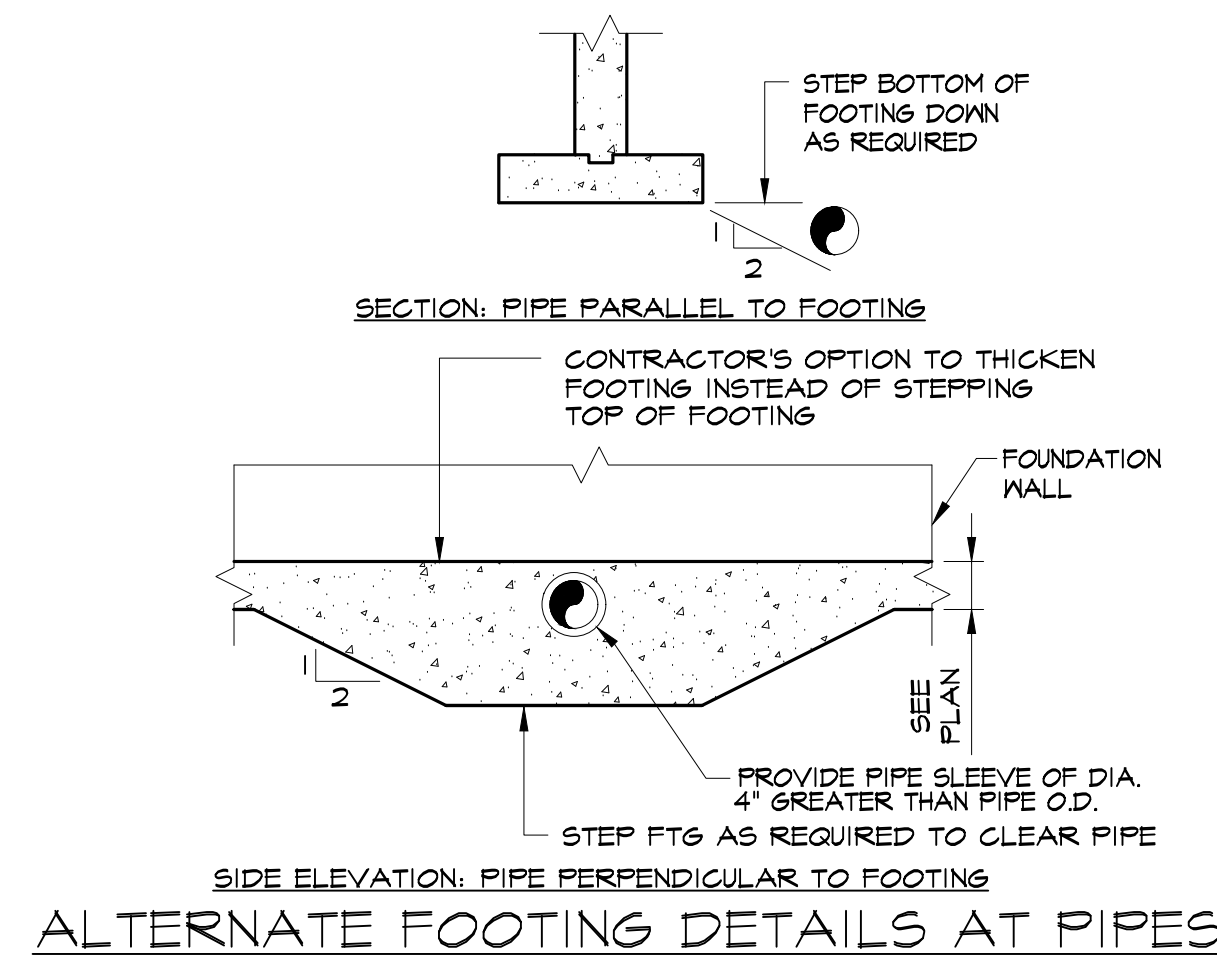
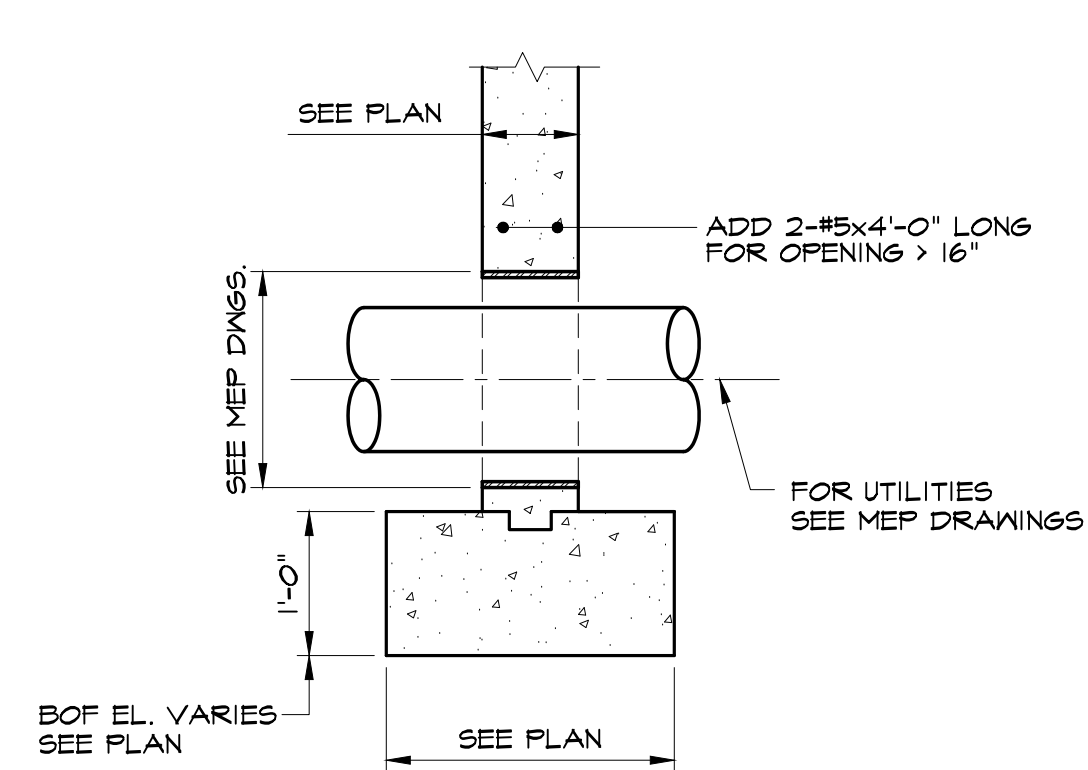


LOOSE LINTEL SCHEDULE			
OPENING	LINTEL	BEARINGS EACH END	REMARKS
3'-6" OR LESS	2Bx3 1/2x4	4"	---
OVER 3'-6" THRU 5'-6"	4x3 1/2x4	6"	LLV
OVER 5'-6" THRU 7'-6"	6x3 1/2x4	6"	LLV
OVER 7'-6" THRU 9'-6"	8x3 1/2x4	6"	LLV

- NOTES:
- WHERE ANGLE LINTELS ARE REQUIRED, PROVIDE ONE ANGLE FOR EACH 4" OR LESS THICKNESS OF MASONRY.
  - FOR OPENINGS OVER 6'-0", PROVIDE SOLID MASONRY JAMB UNDER LINTEL AT EACH SIDE OF OPENING.
  - LINTELS INDICATED ON PLAN SUPERSEDE THE REQUIREMENTS OF THIS SCHEDULE.
  - ALL EXTERIOR LINTELS SHALL BE HOT DIPPED GALVANIZED.
  - ALL OTHER LINTELS SHALL BE PRIME PAINTED.

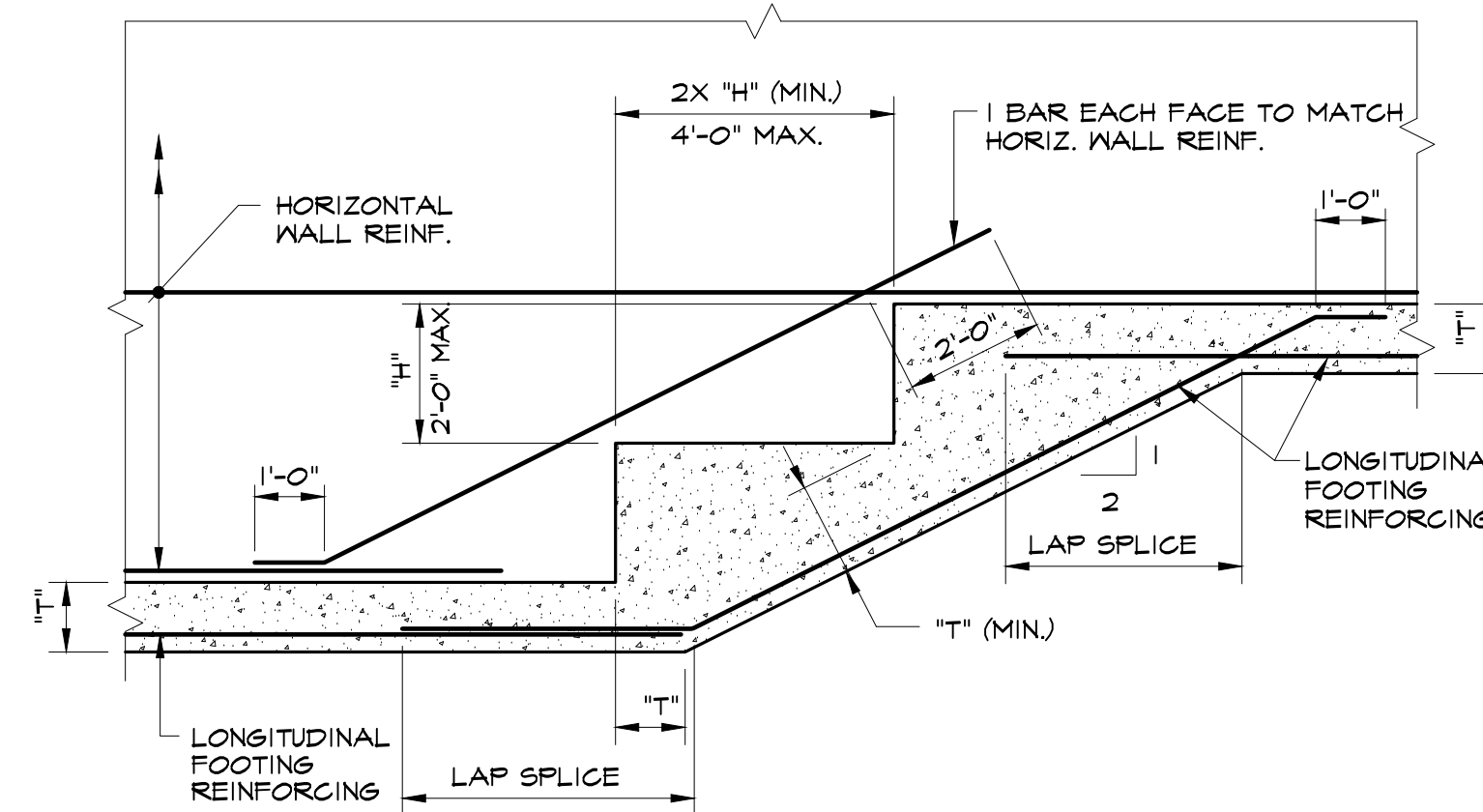


ALTERNATE FOOTING DETAILS AT PIPES

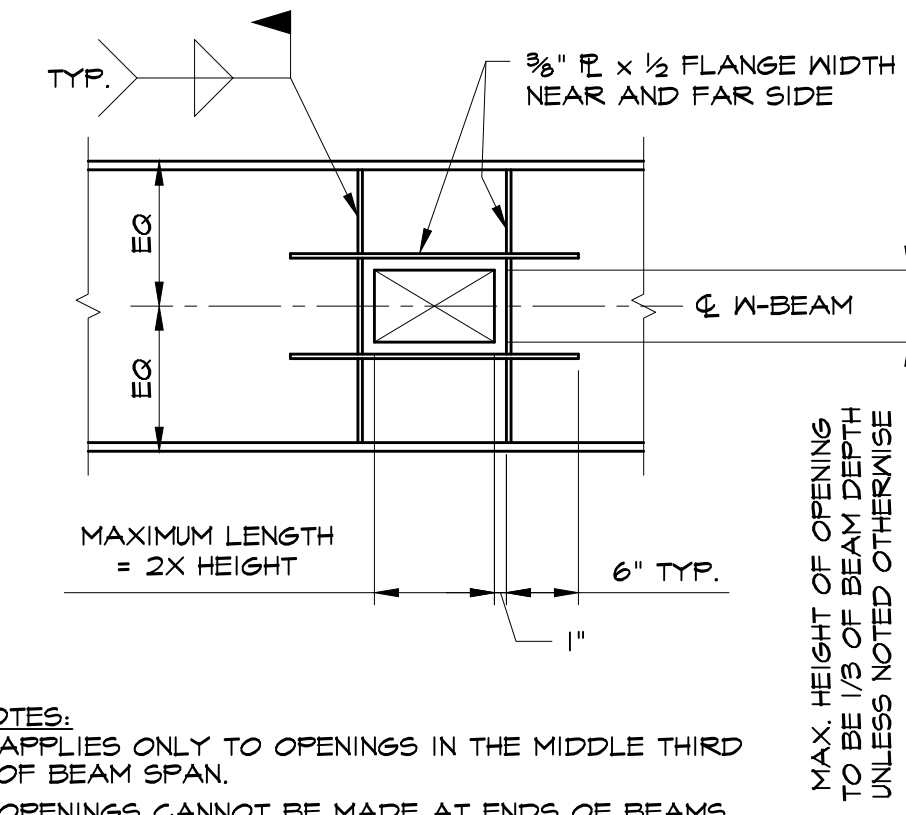


TYPICAL UTILITY SLEEVE

NOTE: STEP FOOTING DOWN AS REQUIRED TO ACCOMMODATE UTILITY SLEEVE ELEVATION.

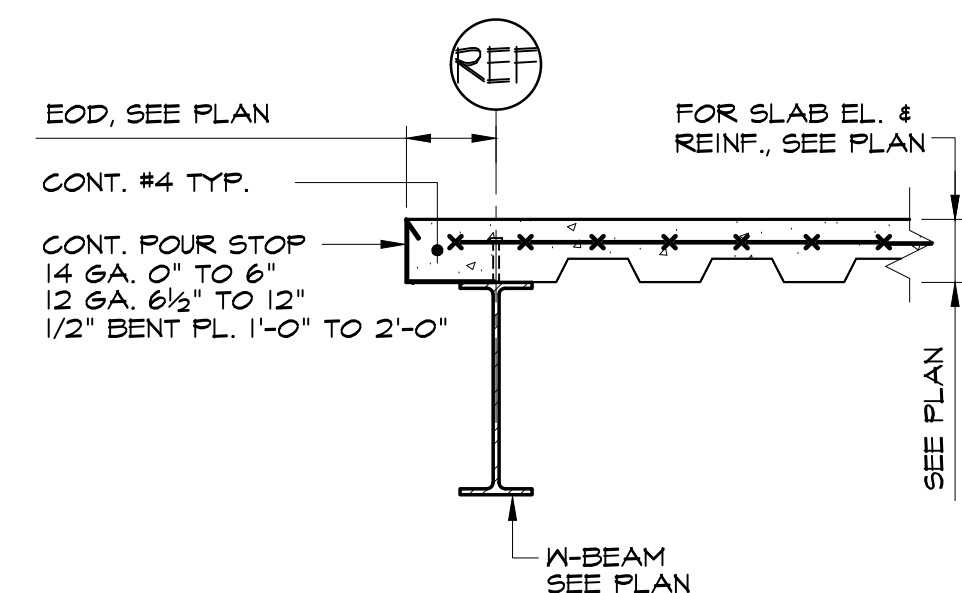


CONTINUOUS STEPPED WALL FOOTING

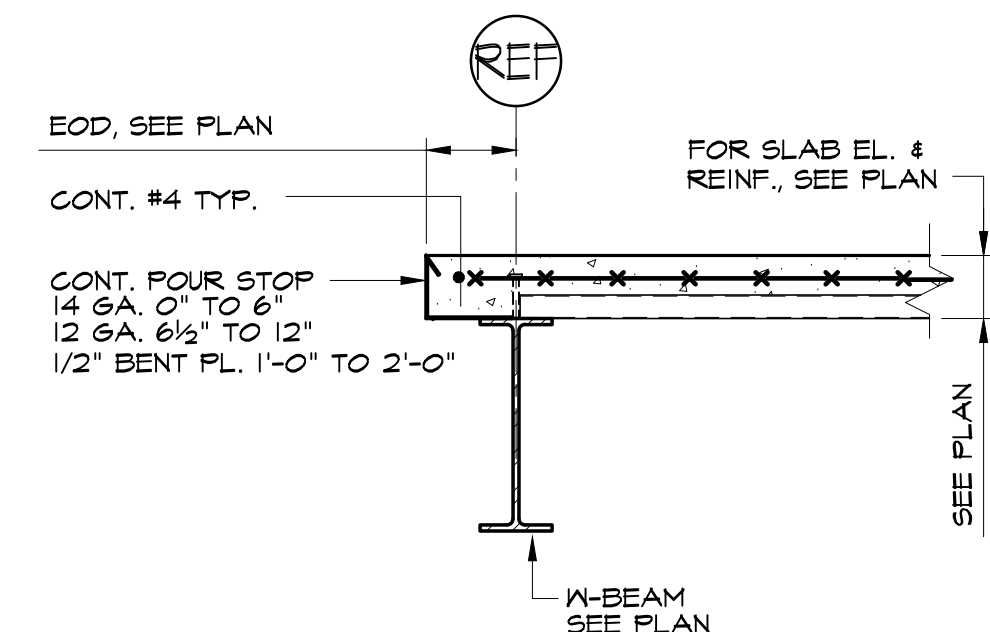


- NOTES:
- APPLIES ONLY TO OPENINGS IN THE MIDDLE THIRD OF BEAM SPAN.
  - OPENINGS CANNOT BE MADE AT ENDS OF BEAMS WITHOUT THE APPROVAL OF THE ENGINEER.

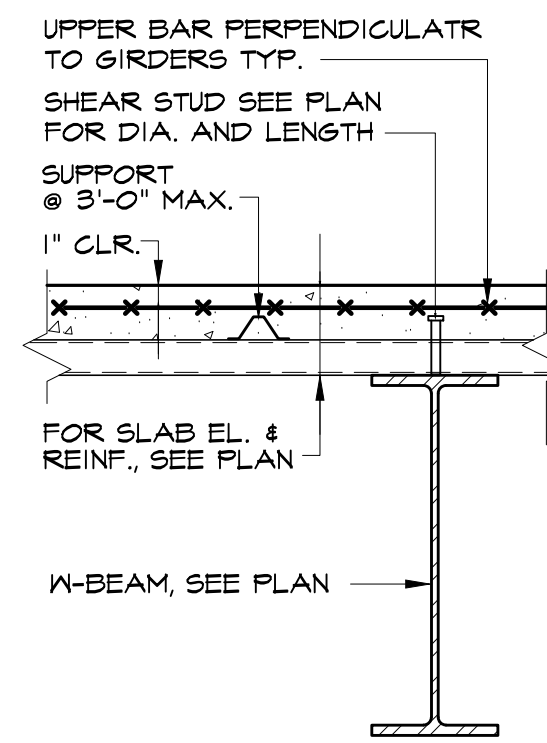
BEAM WEB OPENING REINFORCING DETAIL



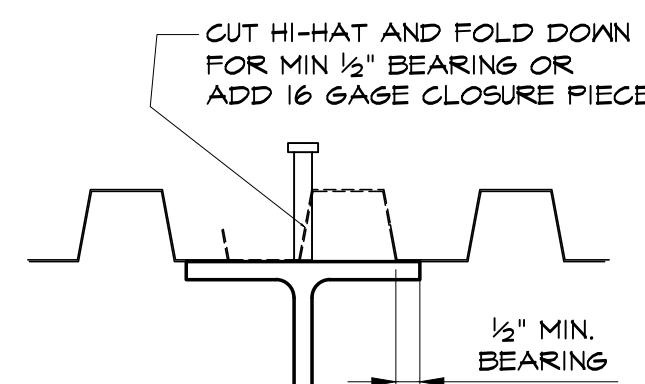
TYPICAL CONCRETE FLOOR EDGE DETAIL (COMPOSITE DECK)



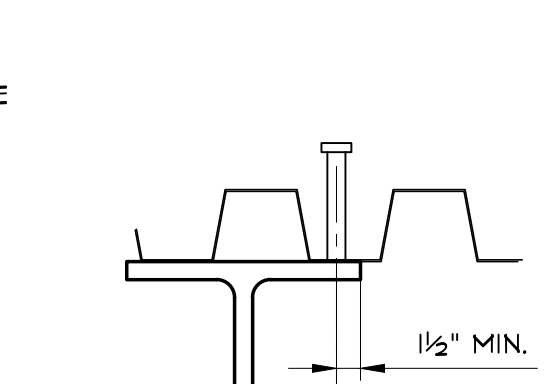
TYPICAL CONCRETE FLOOR EDGE DETAIL (COMPOSITE DECK)



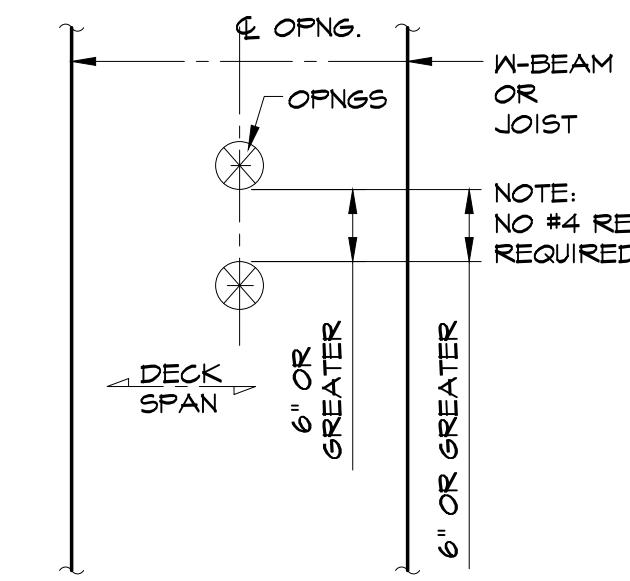
TYPICAL SHEAR STUD DETAIL



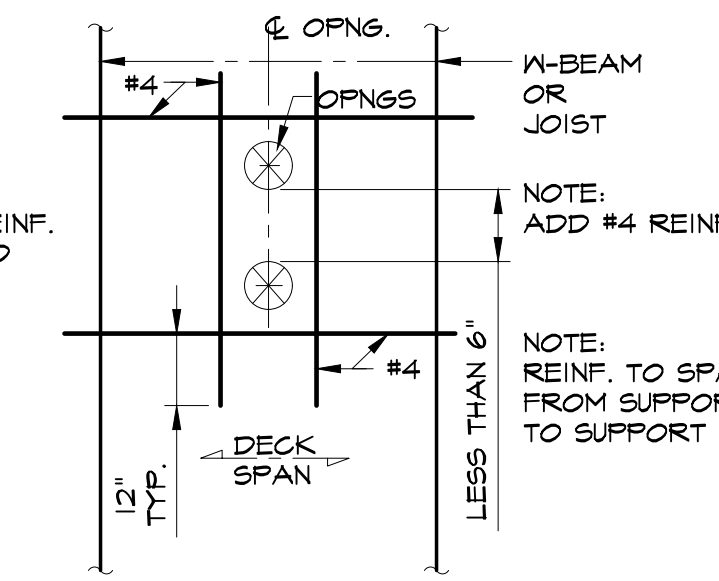
HI-HAT FALLING ON FLANGE



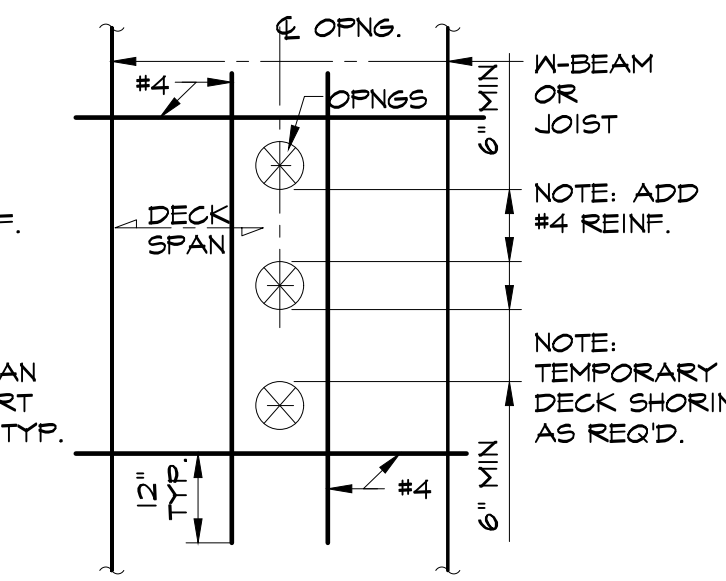
SIDE LAP FALLING ON FLANGE



PLAN



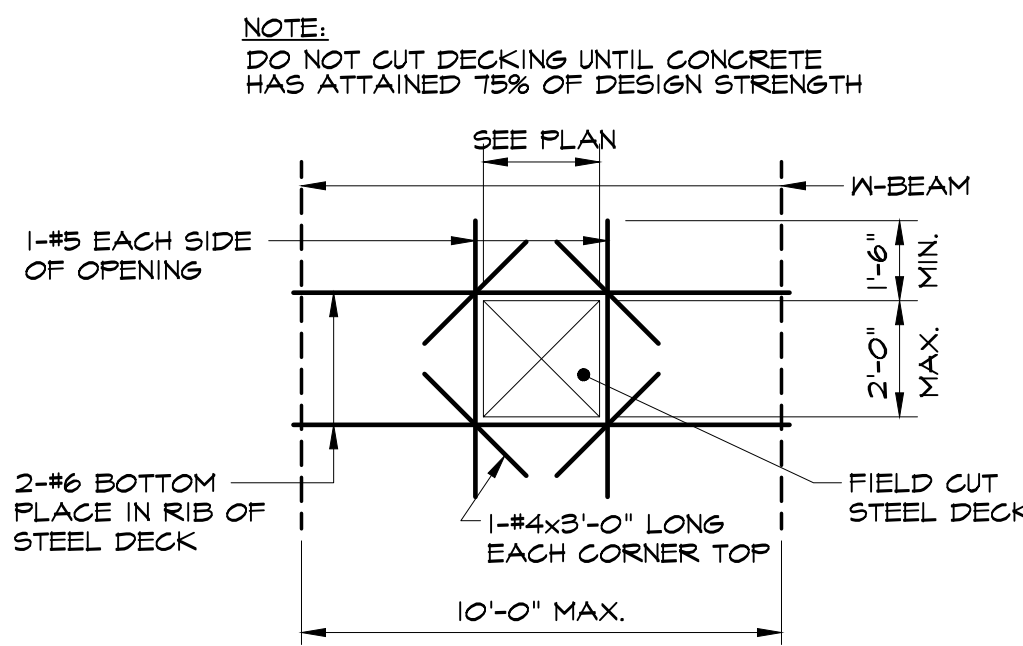
PLAN



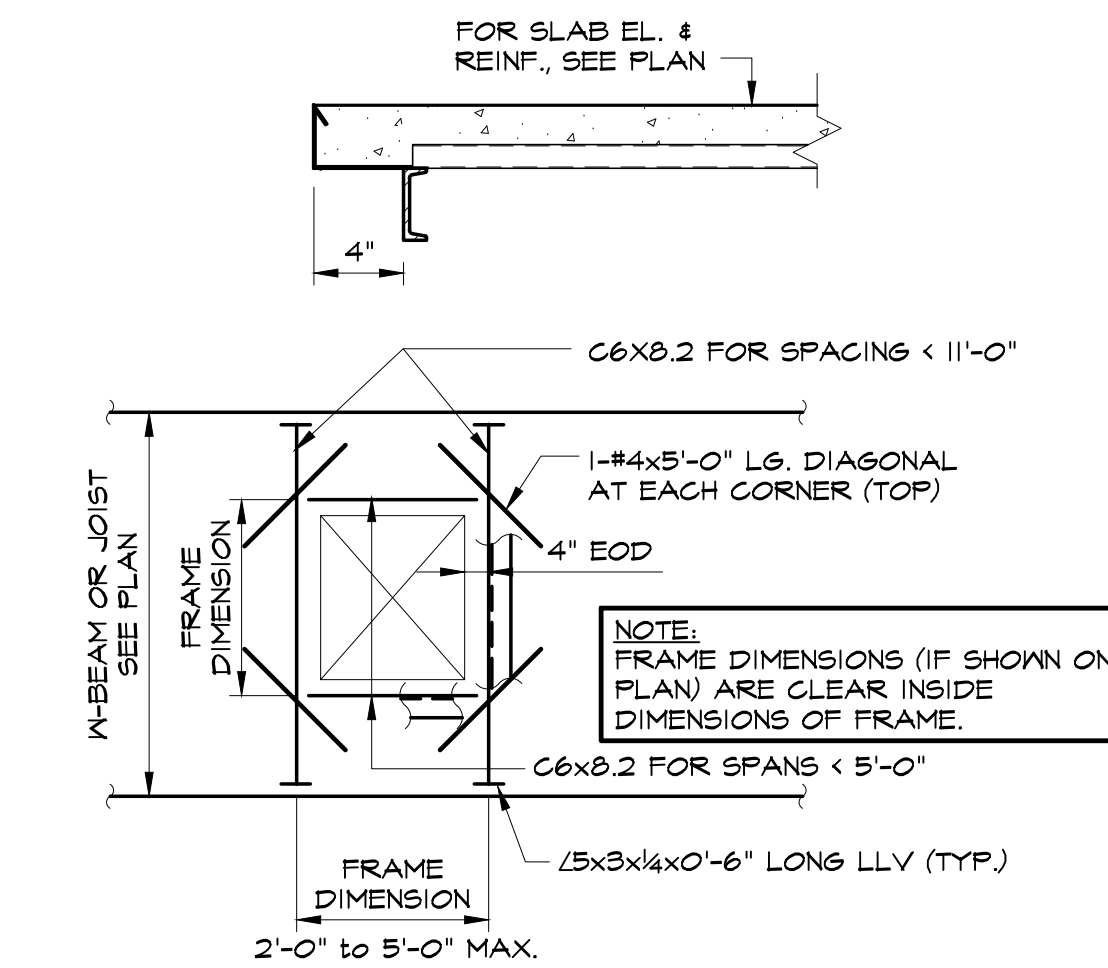
PLAN

TYPICAL SLEEVE OPENING REINFORCING DETAIL IN CONCRETE ON STEEL DECK

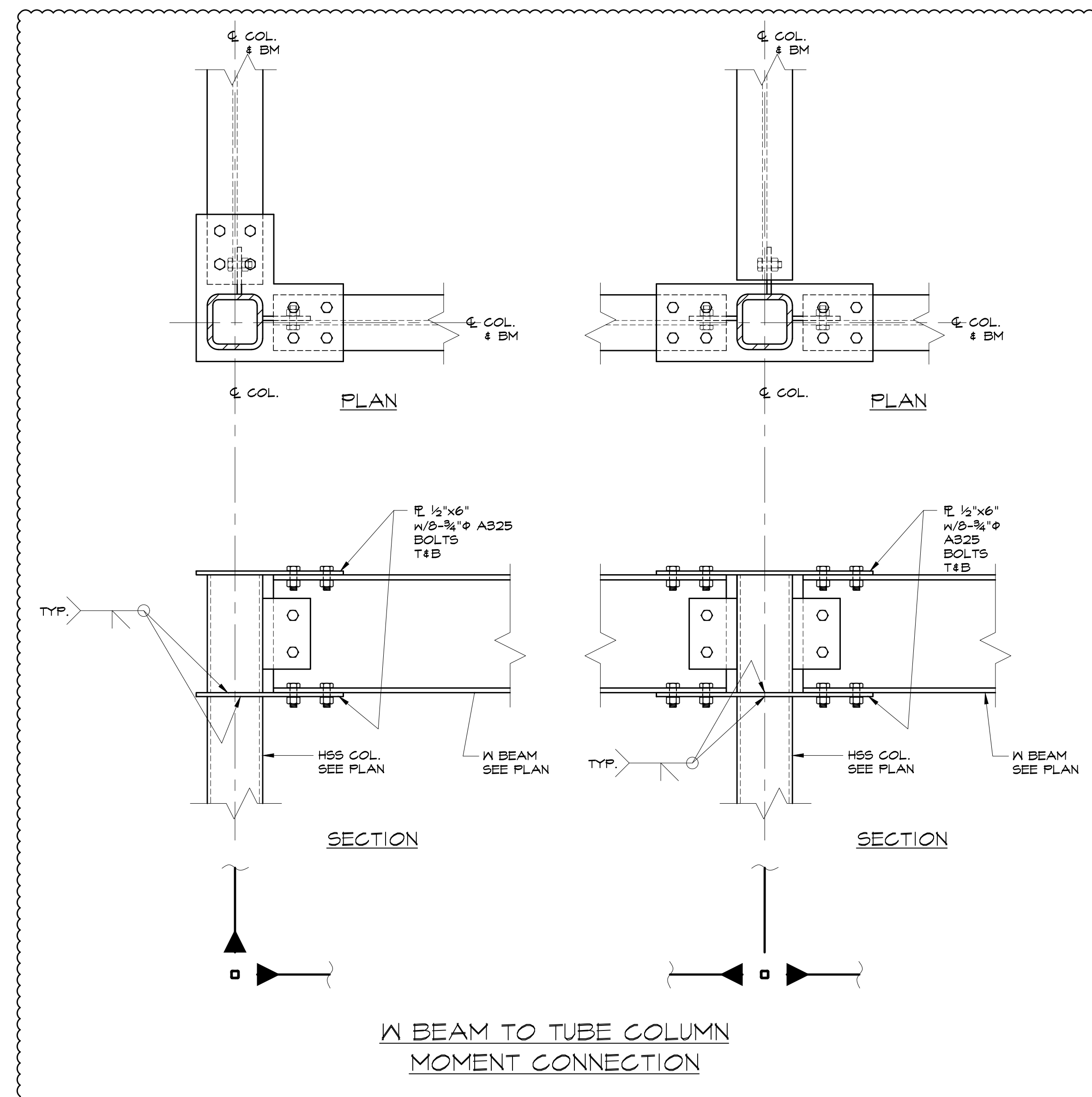
NOTE: REINFORCING SHOWN IS BOTTOM SLAB REINF.



FLOOR OPENING IN CONCRETE ON STEEL DECK



TYPICAL FLOOR OPENING IN CONCRETE ON STEEL DECK 2'-0" TO 5'-0" DETAIL



W BEAM TO TUBE COLUMN MOMENT CONNECTION

KEY SECTION:		
Prepared For:	Project:	Revisions:
Owner	Ocean Gateway Addition	10-14-2016 Permit Set 05-04-2017 Revised Bid Set
	167 Fore Street Portland, Maine	
Architect:	Date:	Scale:
<b>ARCHETYPE</b> Architects	10 / 14 / 2016	As indicated
48 Union Wharf Portland, Maine 04101 (207) 772-6022 ARCHETYPE@ARCHETYPEPEA.COM	TYPICAL DETAILS	
		S2.02