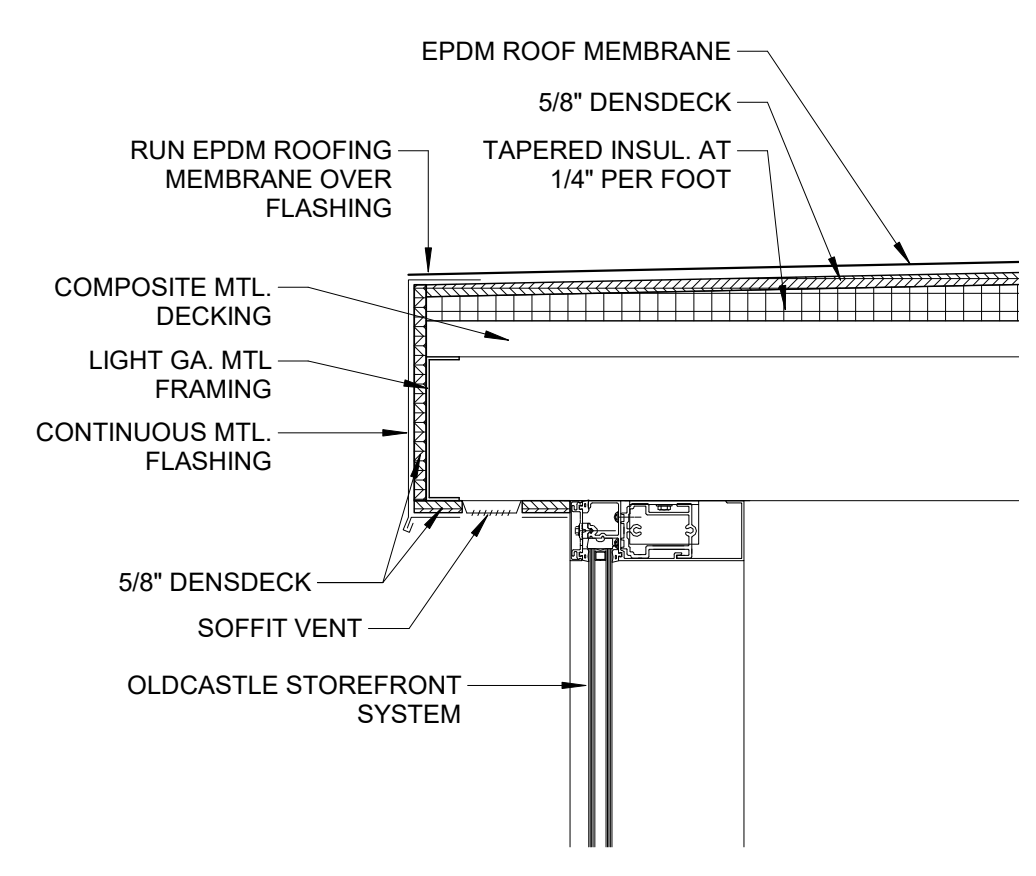
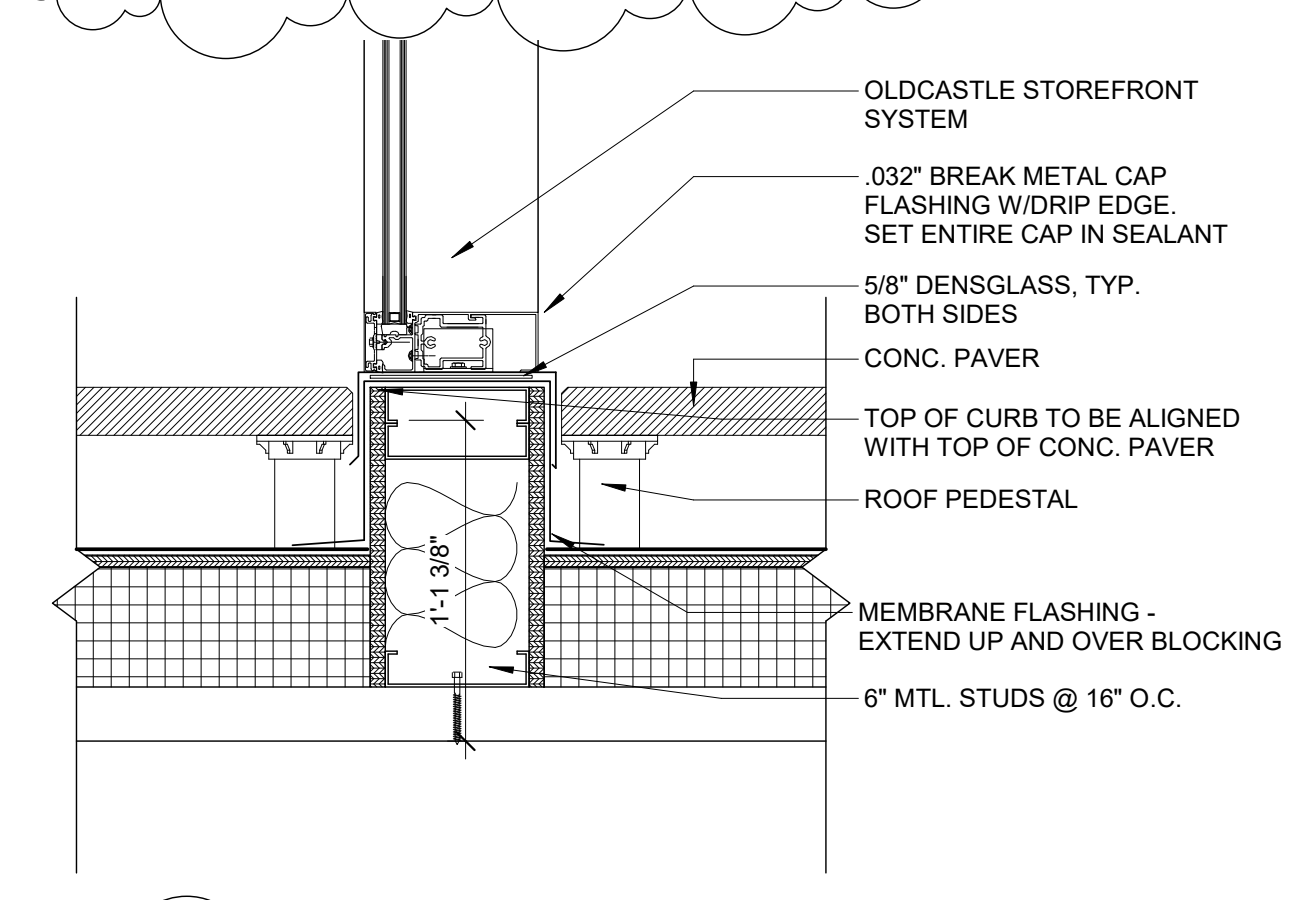


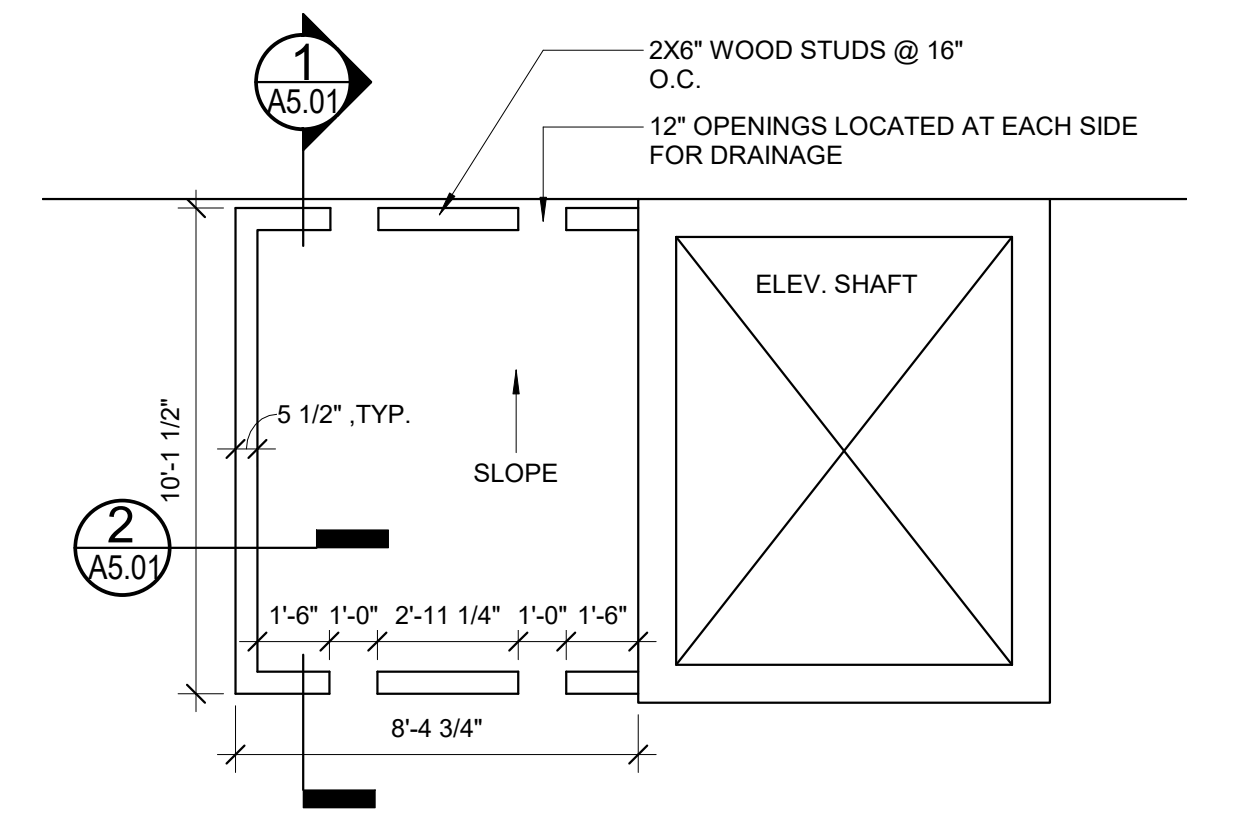
**1 | SECTION AT ELEVATOR LOBBY**  
1/2" = 1'-0"



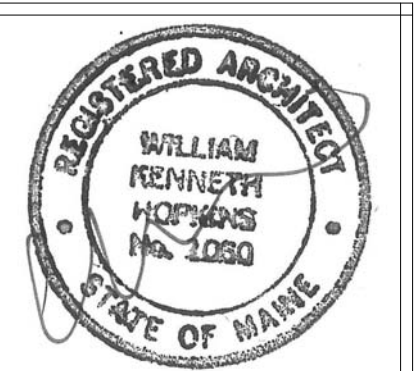
**4 | SOFFIT VENT**  
1 1/2" = 1'-0"



**2 | ROOF CURB DETAIL**  
1 1/2" = 1'-0"



**3 | VESTIBLE CURB PLAN**  
1/4" = 1'-0"



NOTE: SHEET ADDED TO REVISED BID SET - 05/04/2017

Prepared For: <b>Owner</b>	Project: <b>Ocean Gateway Addition</b>	Revisions: 04/25/2017 - REVISED BID SET 07/24/2017 - REVISIONS FOR PERMIT
	167 Fore Street Portland, Maine	
Architect: <b>ARCHETYPE Architects</b> 48 Union Wharf Portland, Maine 04101 (207) 772-6022 ARCHETYPE@ARCHETYPEPEA.COM	Date: 03 / 03 / 2017	Scale: As indicated
<b>Details</b>		<b>A5.01</b>