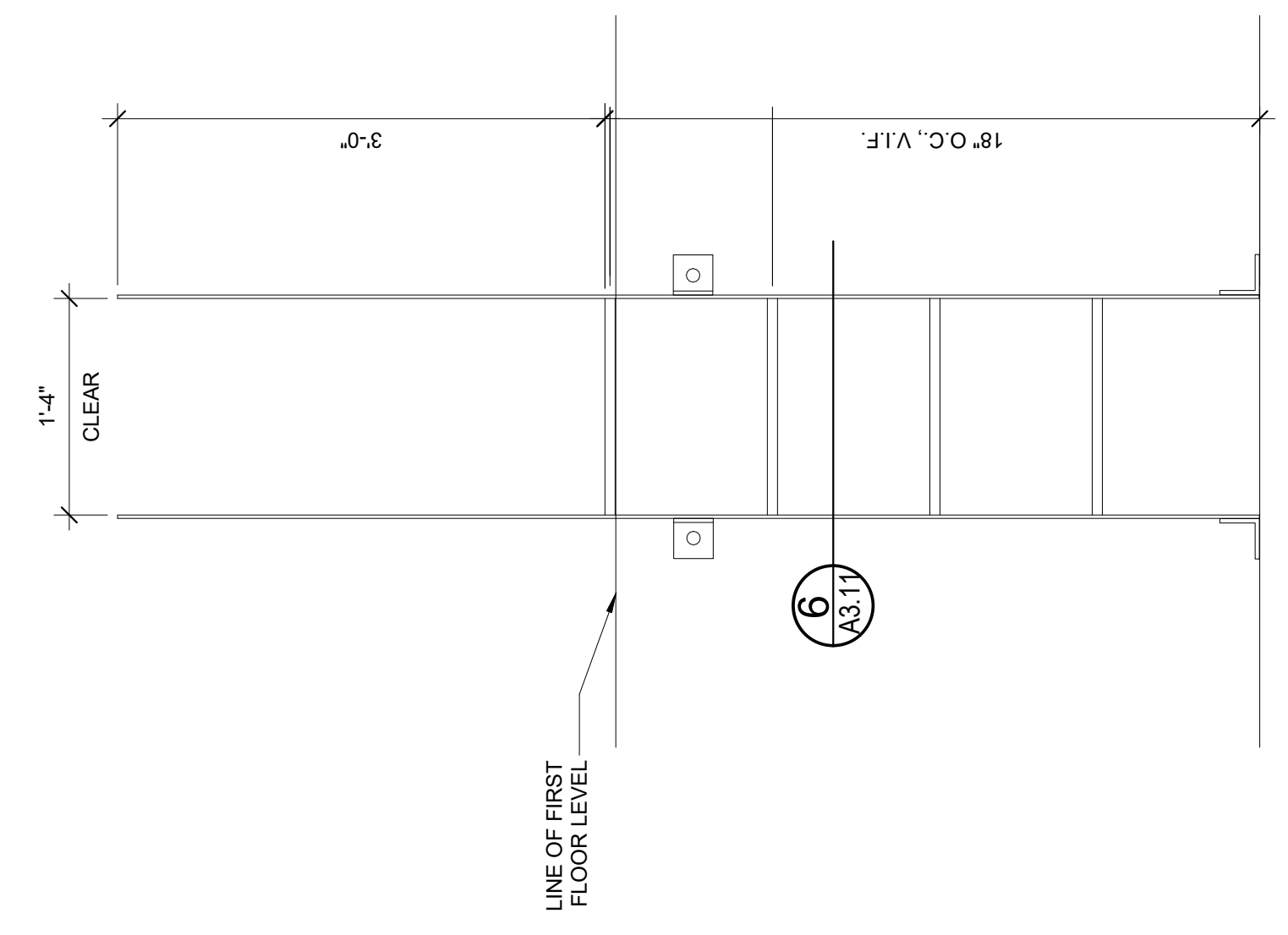
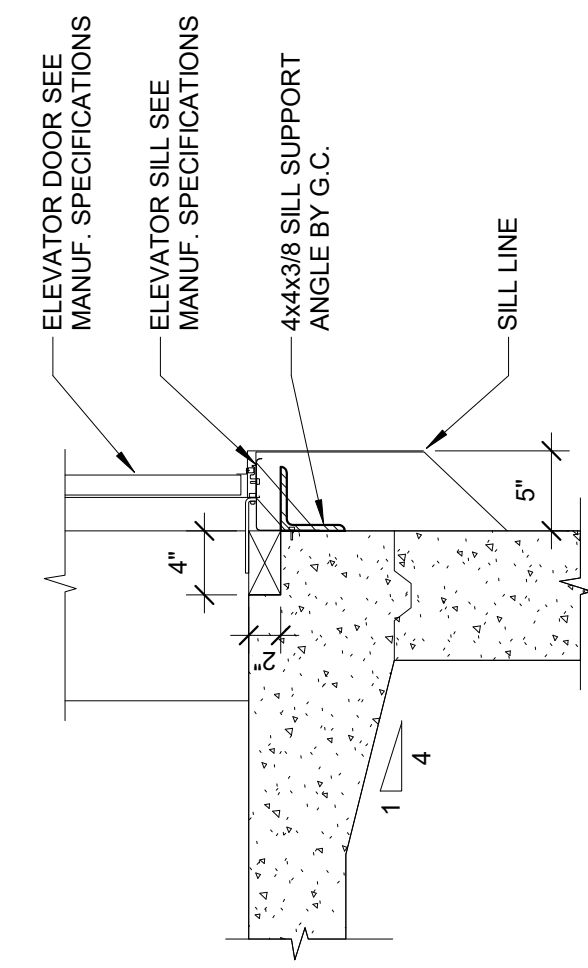


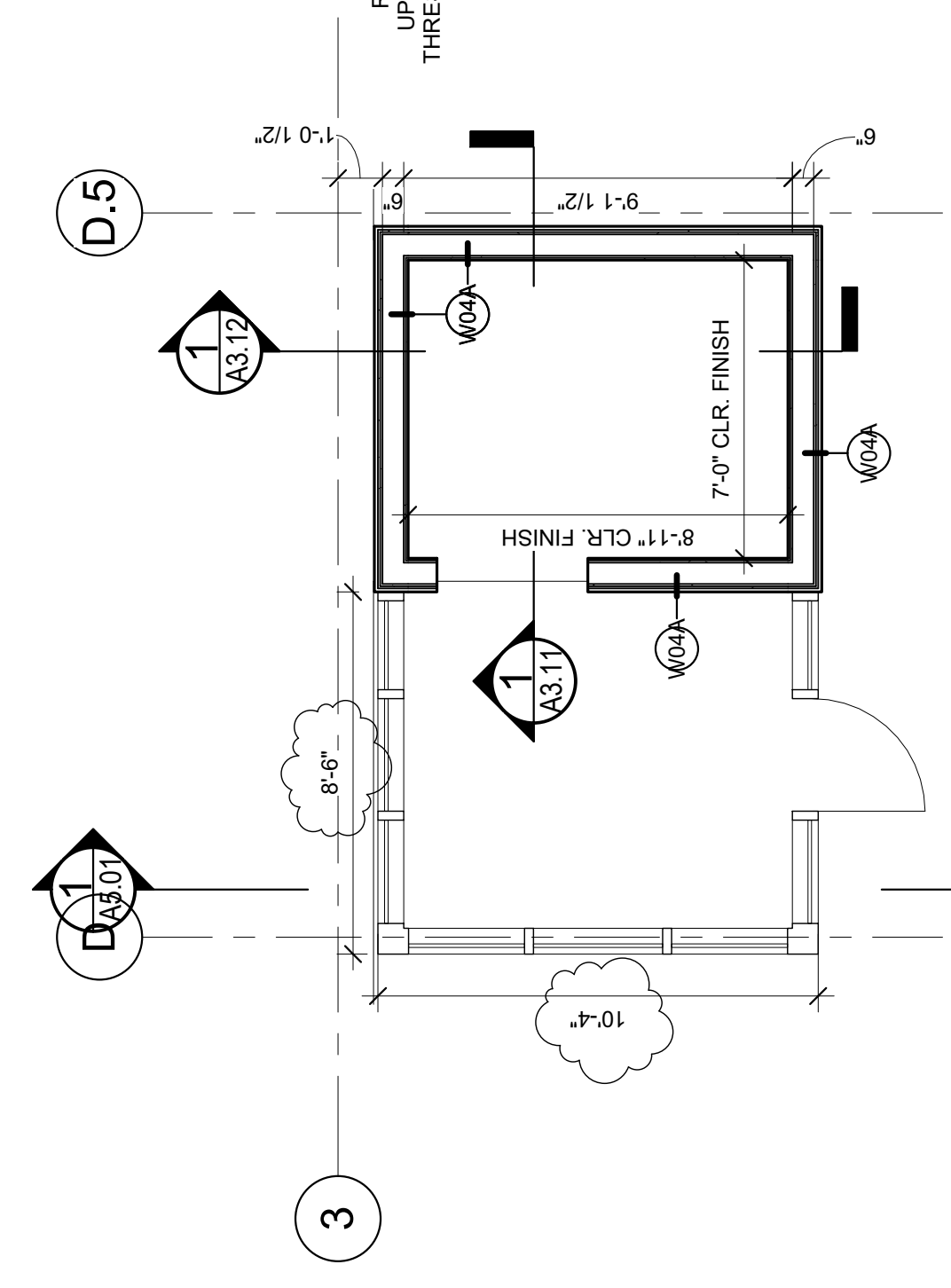
6 ELEVATOR PIT LADDER PLAN
1" = 1'-0"



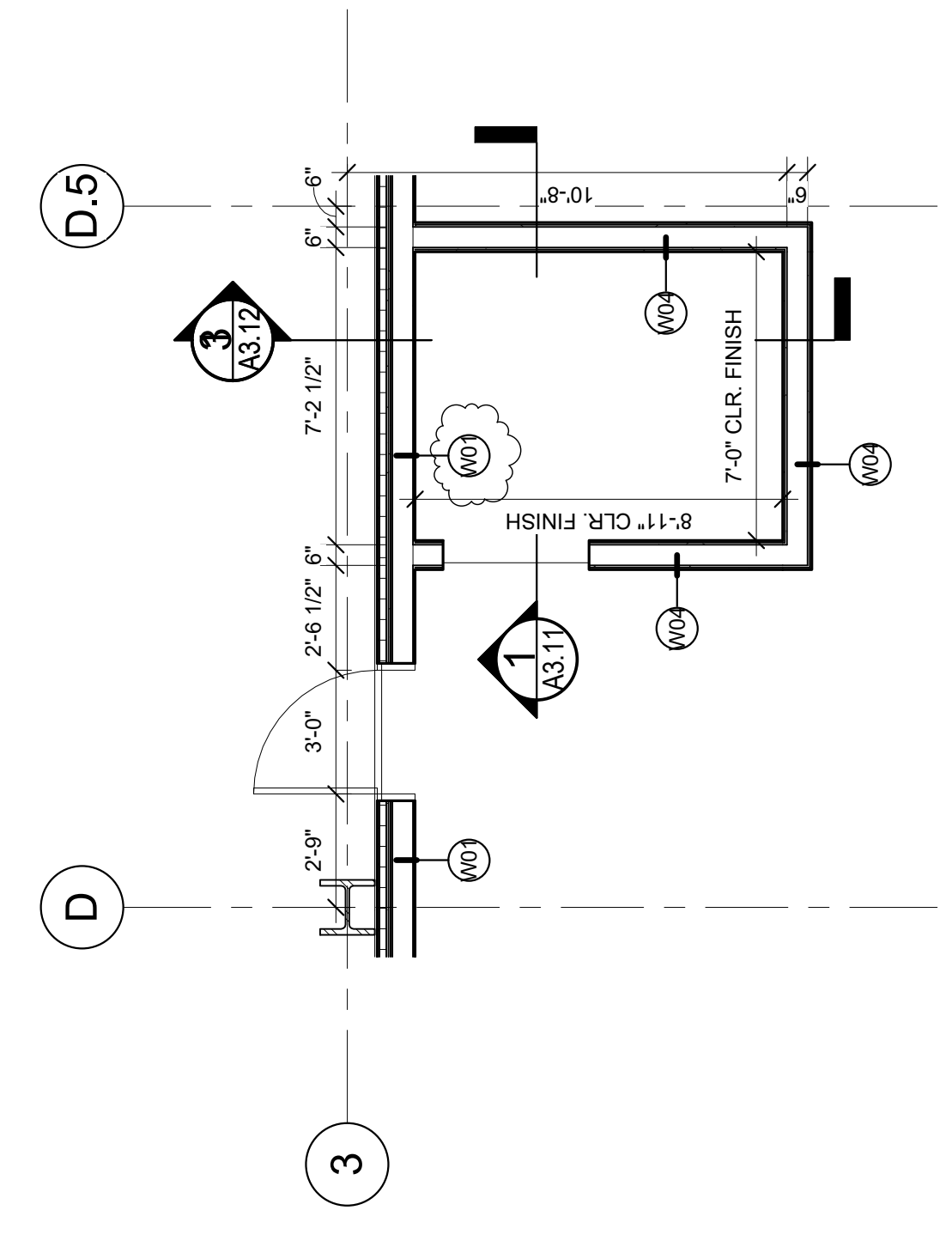
5 ELEVATOR PIT LADDER ELEVATION
1" = 1'-0"



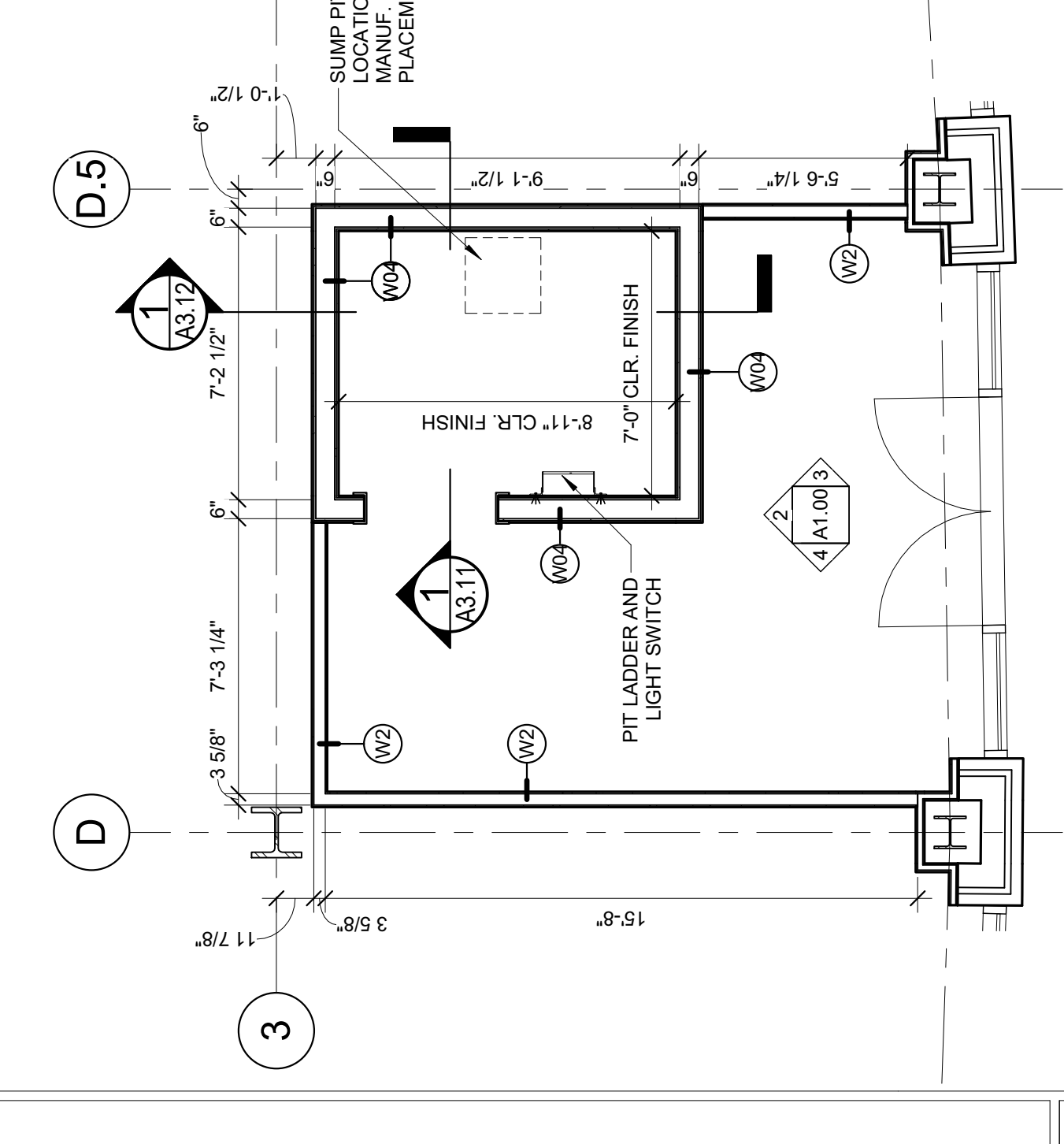
4 ELEVATOR DOOR AT CONCRETE
1" = 1'-0"



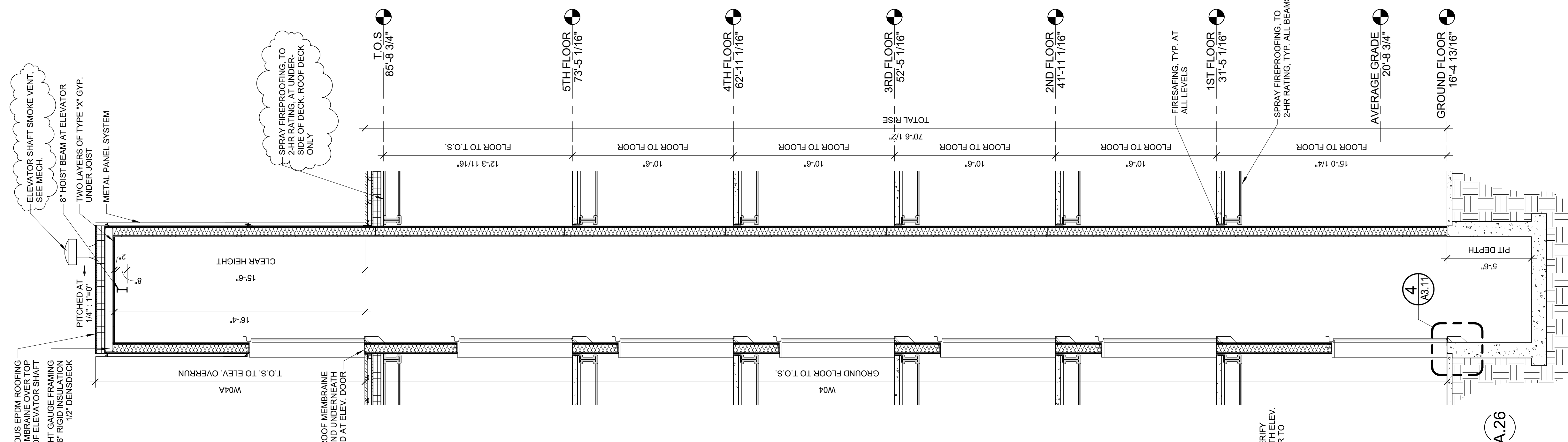
8 ELEVATOR - SIXTH FLOOR PLAN
1/4" = 1'-0"



3 ELEVATOR - FIRST FLOOR PLAN
1/4" = 1'-0"



2 ELEVATOR - GROUND FLOOR PLAN
1/4" = 1'-0"



1 ELEVATOR SECTION 2
1/4" = 1'-0"

Prepared For: Owner		Project: Ocean Gateway Addition	Revisions: 05/04/2017 - REVISED BID SET
Address City, State		167 Fore Street Portland, Maine	
Architect: ARCHETYPE Architects 48 Union Wharf Portland, Maine 04101 ARCHETYPE@ARCHETYPPEPA.COM (207) 772-6022	Date: 03 / 03 / 2017	Scale: As indicated	A3.11
Elevator Section and Details			

