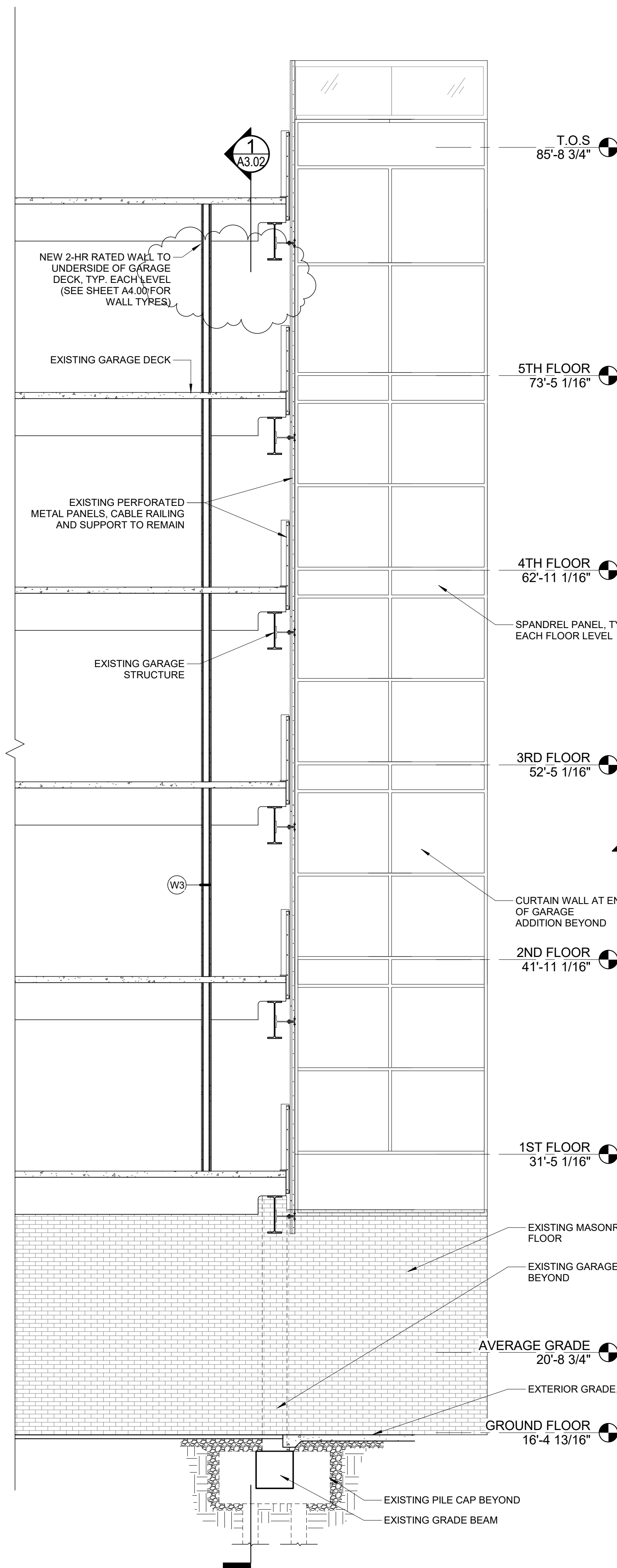
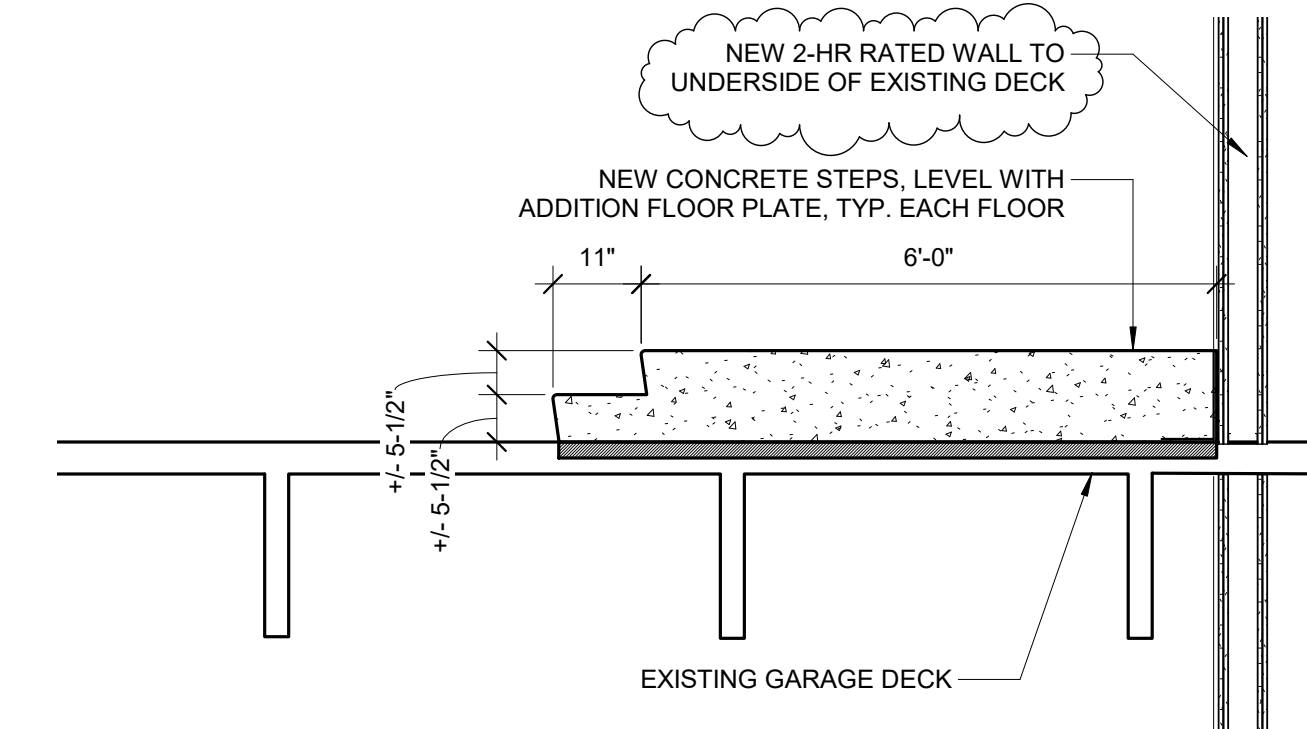


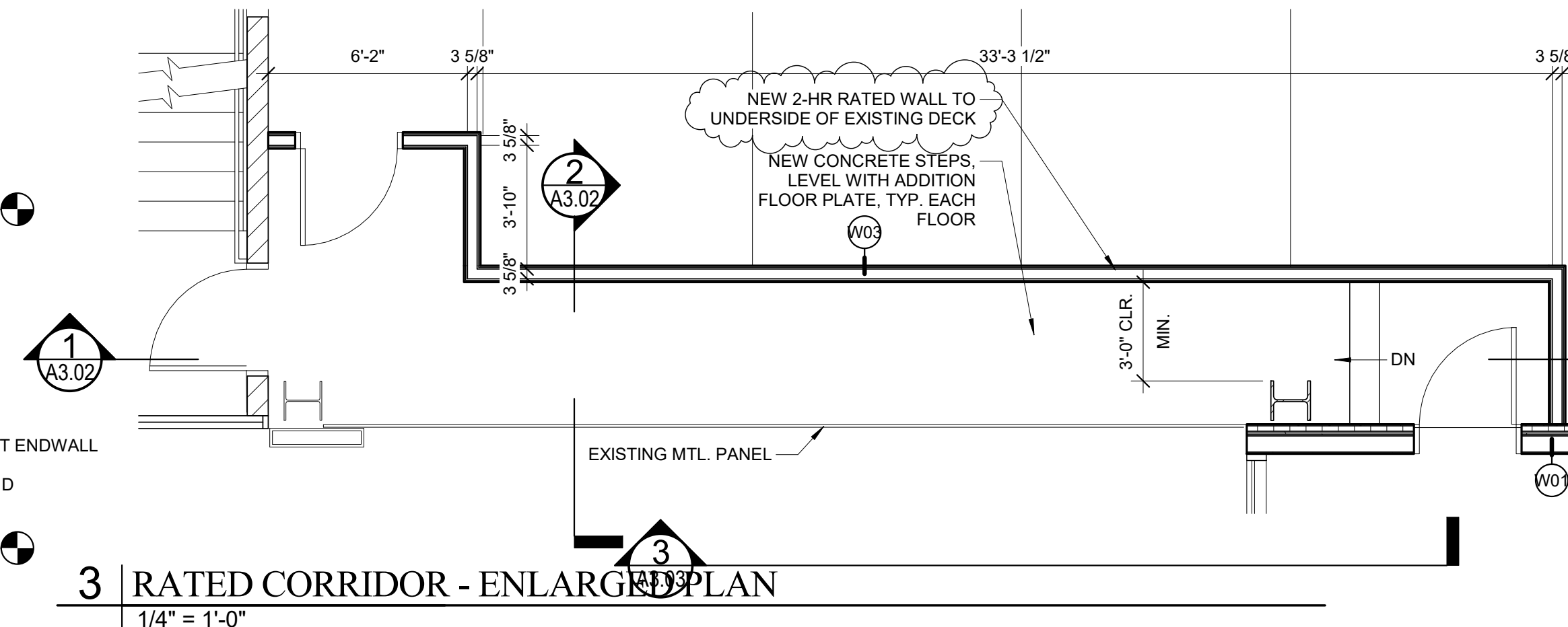
1 | SECTION AT RATED CORRIDOR  
1/4" = 1'-0"



2 | CROSS SECTION THROUGH RATED CORRIDOR  
1/4" = 1'-0"



4 | STAIRS AT RATED CORRIDOR  
1/2" = 1'-0"



3 | RATED CORRIDOR - ENLARGED PLAN  
1/4" = 1'-0"

KEY PLAN:

REGISTERED ARCHITECT  
WILLIAM KENNETH HOPKINS  
No. 2080  
STATE OF MAINE

Prepared For: <b>Owner</b>	Project: <b>Ocean Gateway Addition</b>	Revisions: 05/04/2017 - REVISED BID SET
167 Fore Street Portland, Maine		
Architect: <b>ARCHETYPE Architects</b> 48 Union Wharf Portland, Maine 04101 (207) 772-6022 ARCHETYPE@ARCHETYPEPA.COM	Date: 03 / 03 / 2017	Scale: As indicated
<b>Building Sections</b>		<b>A3.02</b>