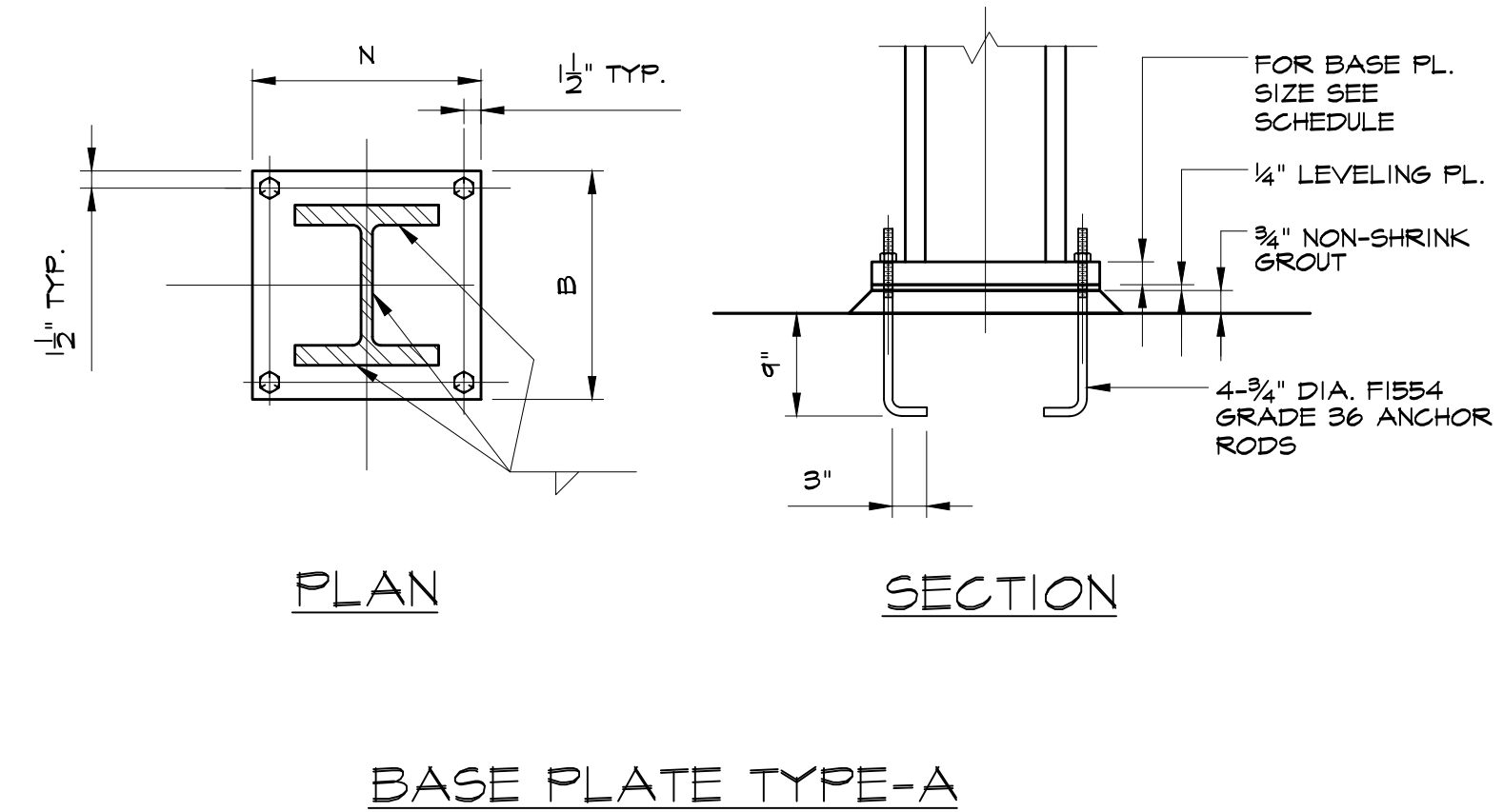
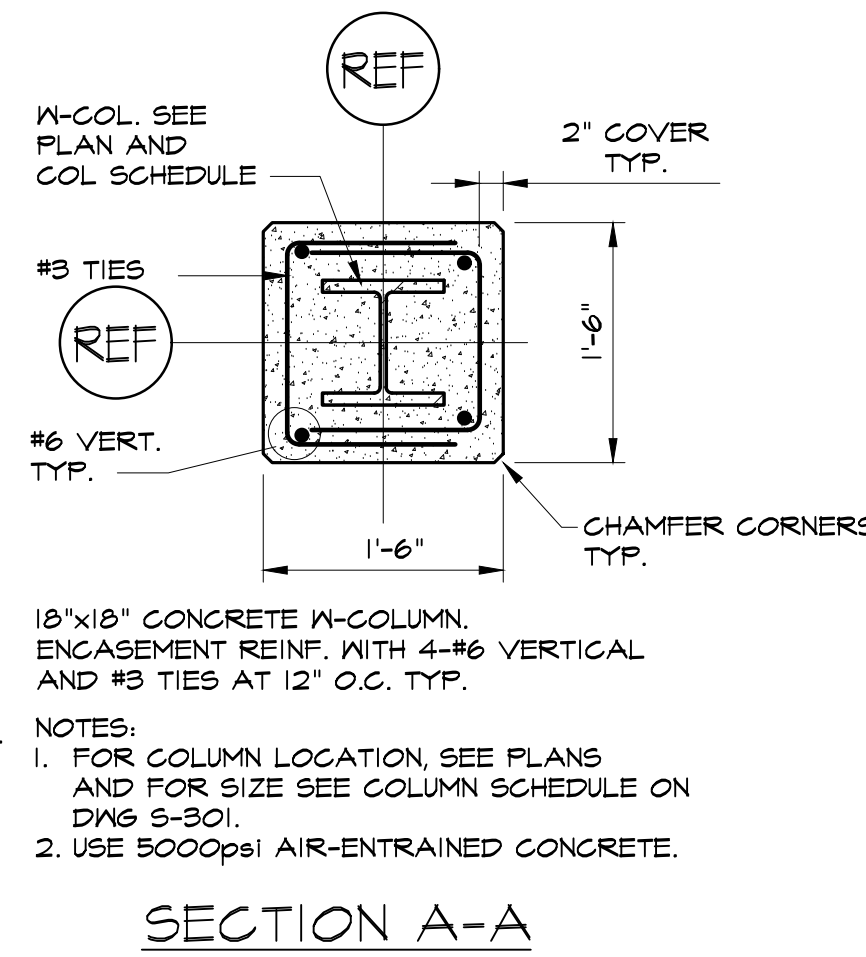
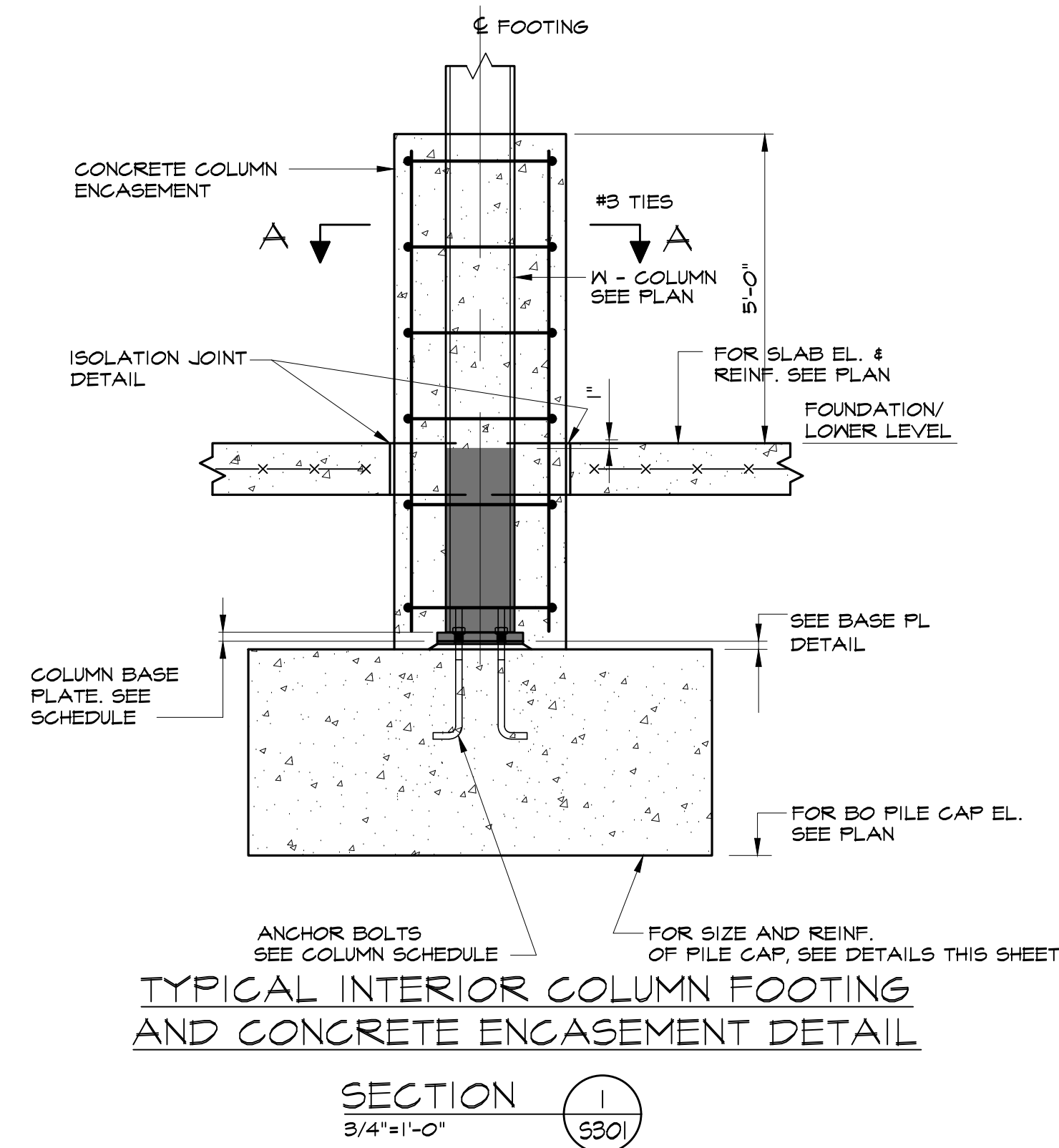
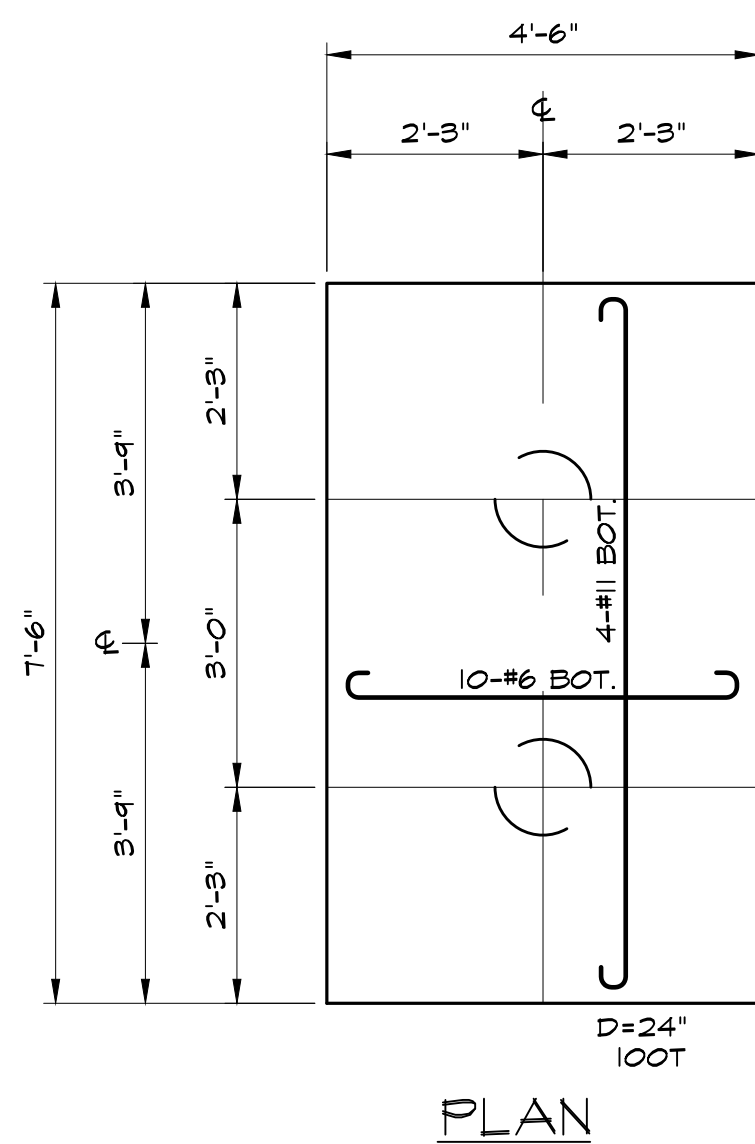


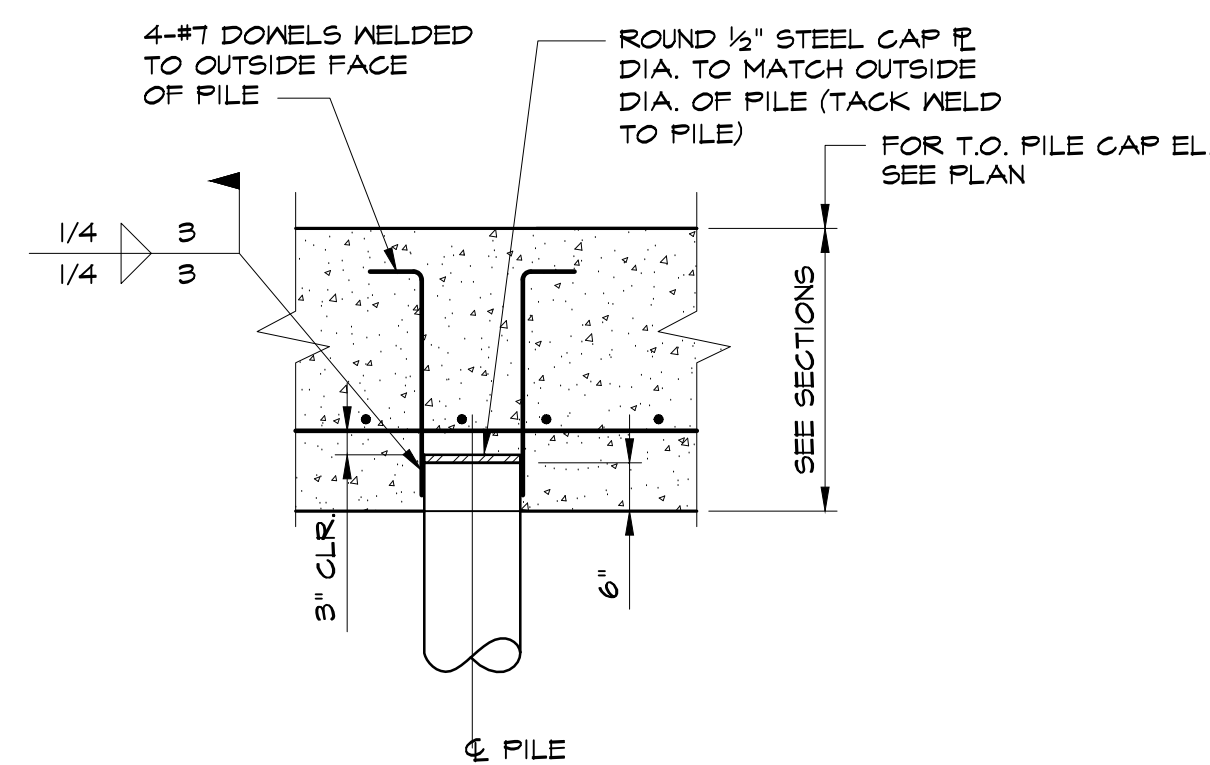
COLUMN SCHEDULE					
COL. NO.	C1	C2			
LEVEL					
ROOF					
5TH FLOOR					
4TH FLOOR	(N)W10x33	(N)W10x33			
3RD FLOOR					
2ND FLOOR					
1ST FLOOR	(E)W10x60	(N)W10x34			
GROUND FL.					
BASE PL. TYPE	EXISTING	A			
BASE PL. SIZE	V.I.F.	16x1 1/4 x 1'-4"			
"N" x "L" x "B"					



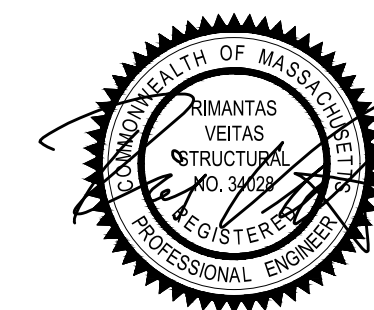
- COLUMN SCHEDULE NOTES:**
- ALL TS COLUMNS SHALL BE ASTM A500 GRADE B.
 - ALL WF COLUMNS SHALL BE ASTM A572 GRADE 50.



PILE CAP - PC2
1/2"=1'-0"



TYPICAL SECTION
1/2"=1'-0"



VEITAS and VEITAS
engineers

639 Granite Street, Suite 101
Braintree, Massachusetts 02184
TEL (781)843-2863 FAX (781)849-2065

KEY SECTION:		

Prepared For: Owner	Project: Ocean Gateway Addition	Revisions: 10-14-2016 Permit Set
167 Fore Street Portland, Maine		
Architect: ARCHETYPE Architects 48 Union Wharf Portland, Maine 04101 (207) 772-6022 ARCHETYPE@ARCHETYPEPEPA.COM	Date: 10 / 14 / 2016	Scale: As indicated
COLUMN SCHEDULE AND STEEL DETAILS		S3.01