

Gateway Garage Addition

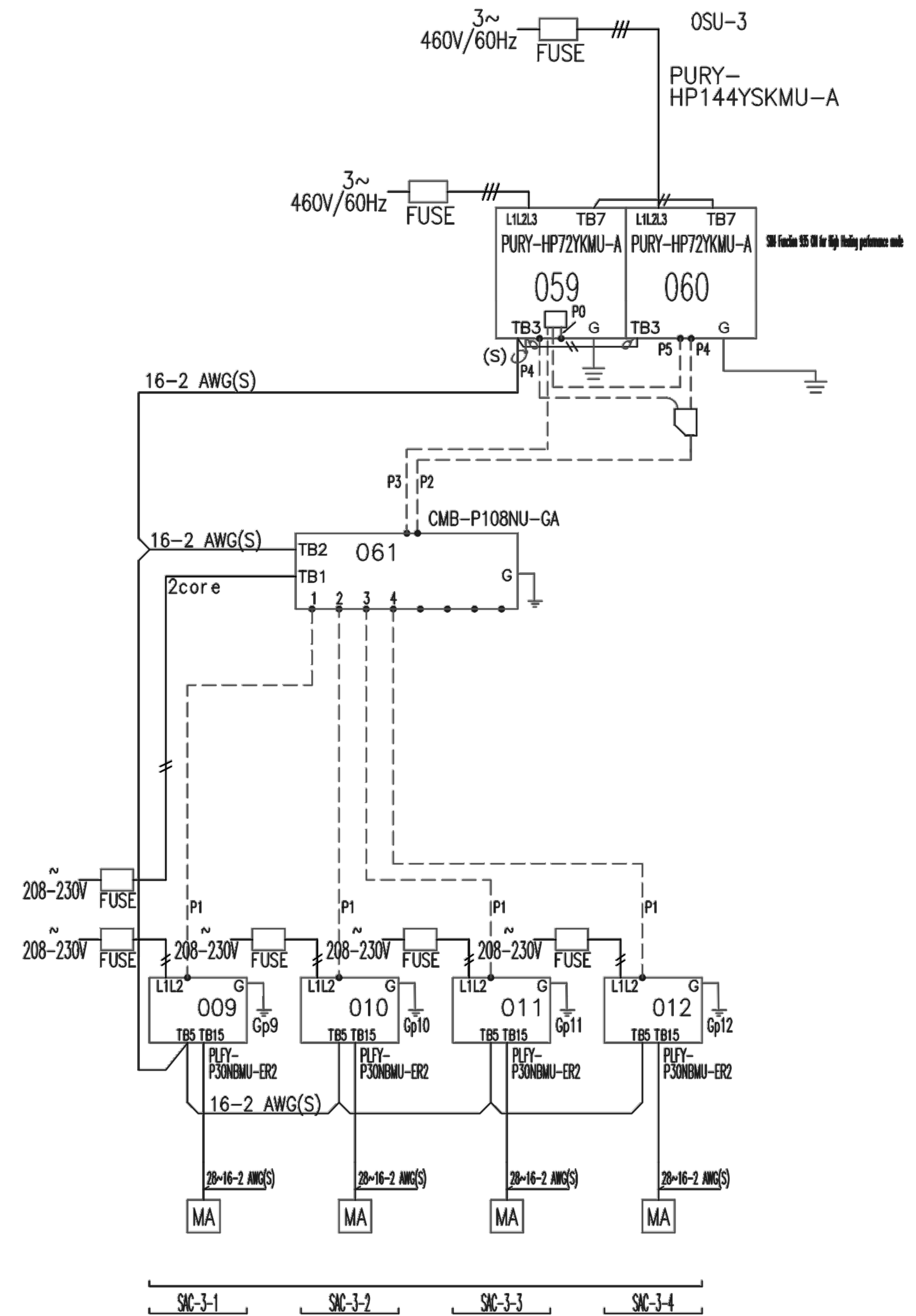
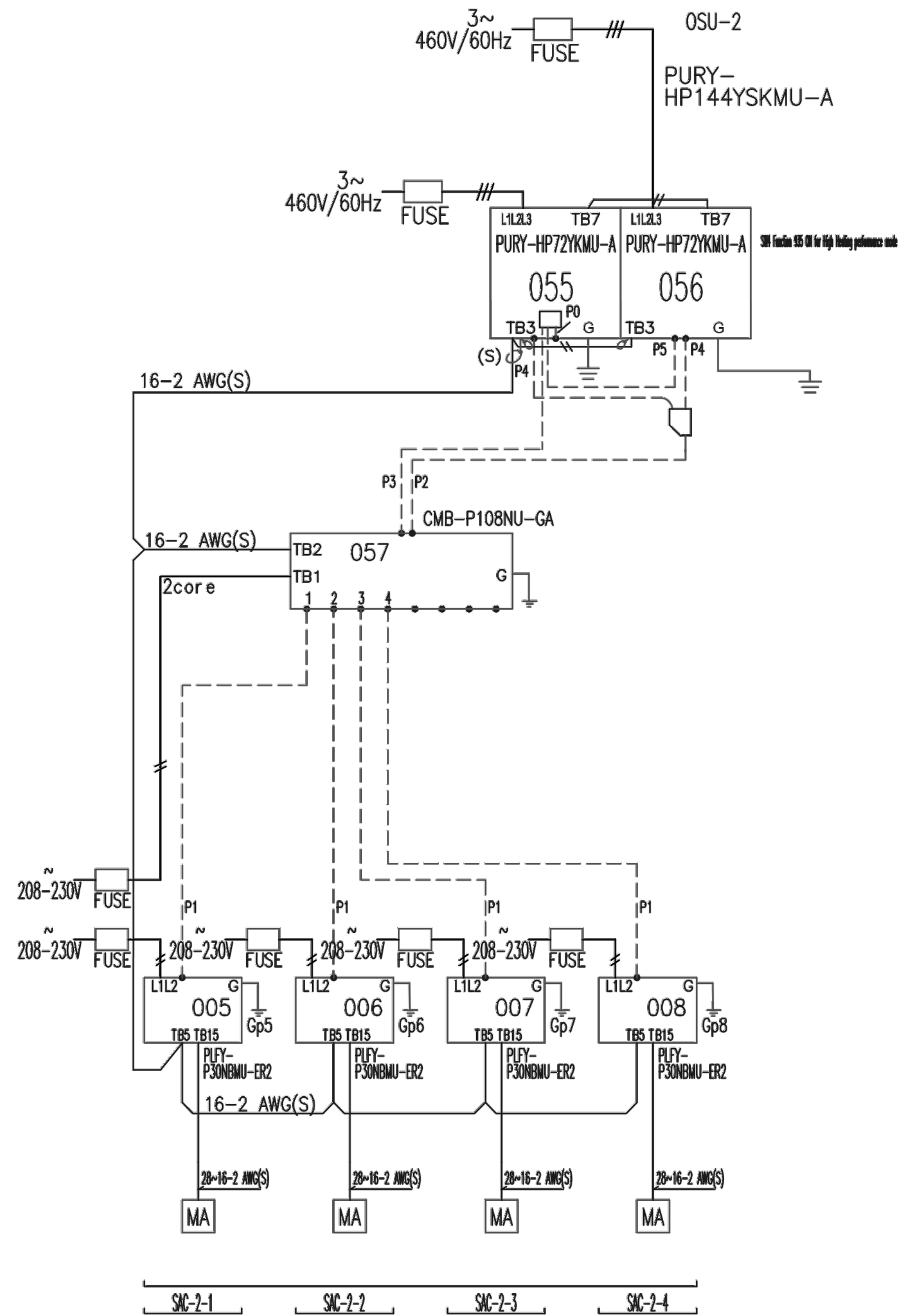
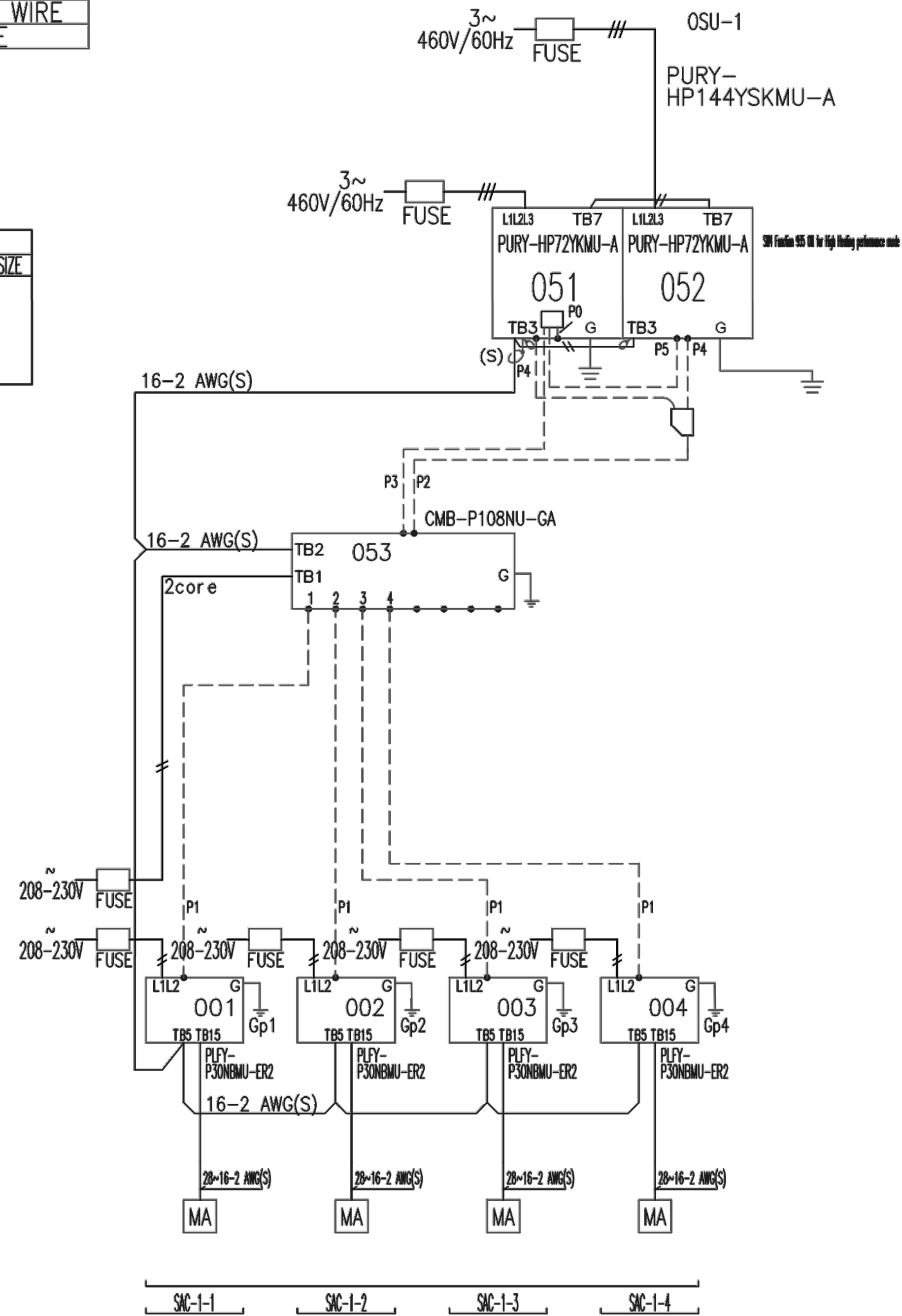
DIAGRAM DISPLAY	SYMBOL	LEGEND DESCRIPTION
---	---	POWER WIRE
---	---	CONTROL WIRE
---	---	REF. PIPE

CONT.No	PAGE
---------	------

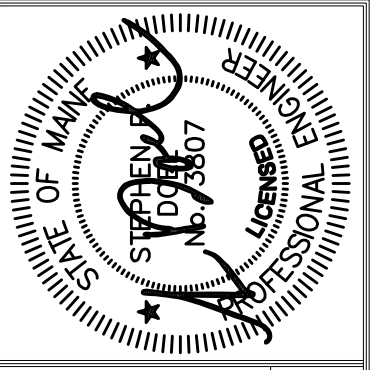
CITY MULTI SYSTEM SCHEMATIC DWG.

Additional refrigerant charge is needed depending on the size and length of extended piping. Please refer the amount of pre-charge and the formula of calculation which is mentioned on the data book.  
 1.25mm<sup>2</sup>(16 AWG) : 1.25mm<sup>2</sup>(16 AWG) or more. 0.75mm<sup>2</sup>(20 AWG) : between 0.5mm<sup>2</sup>(24 AWG) and 0.75mm<sup>2</sup>(20 AWG).

SYMBOL	LIQUID PIPE	PIPE/GAS PIPE SIZE
P1	3/8	5/8
P2	7/8	1-1/8
P3	5/8	1-1/8
P4	5/8	3/4
P5		



REMARKS  
 Comments:



Prepared For:



Consulting Engineer:

Architect:  
 48 Union Wharf Portland, Maine 04101  
 (207) 772-6022 Fax (207) 772-4056

Project:  
**Addition to Ocean Gateway Garage**  
 167 Fore St., Portland, Maine

Revisions:

Date: JULY 18, 2016  
 Scale: 1/8" = 1'-0"  
**MECHANICAL DETAILS**

**M1.03**