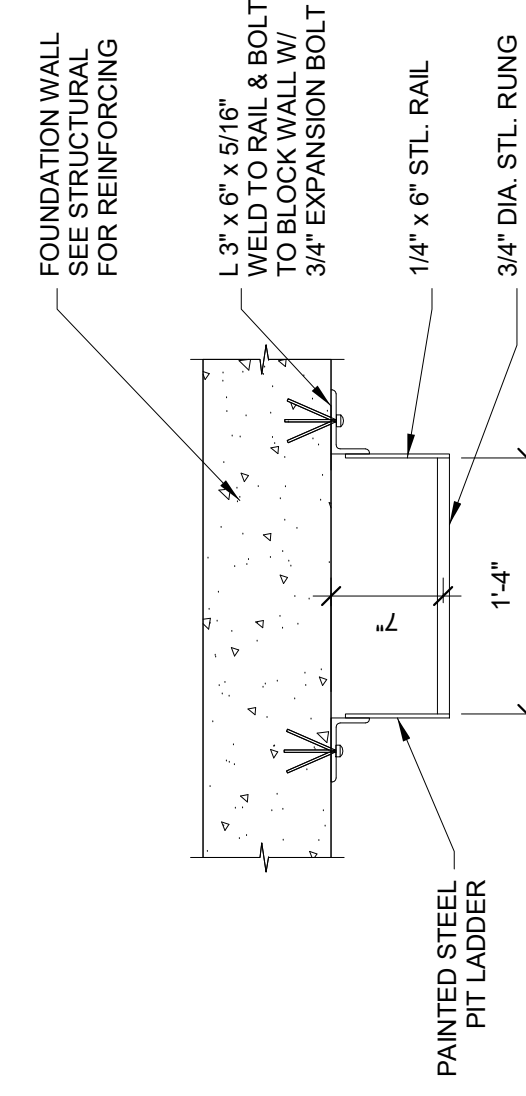
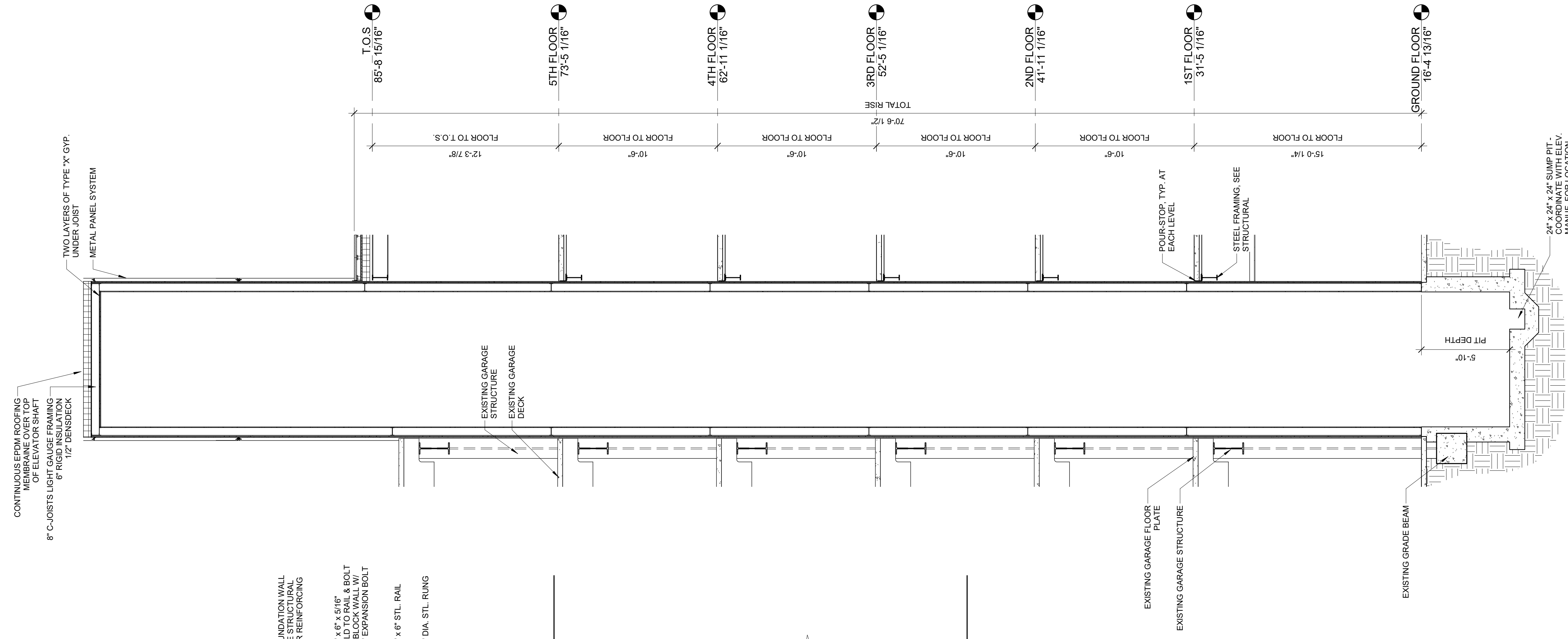


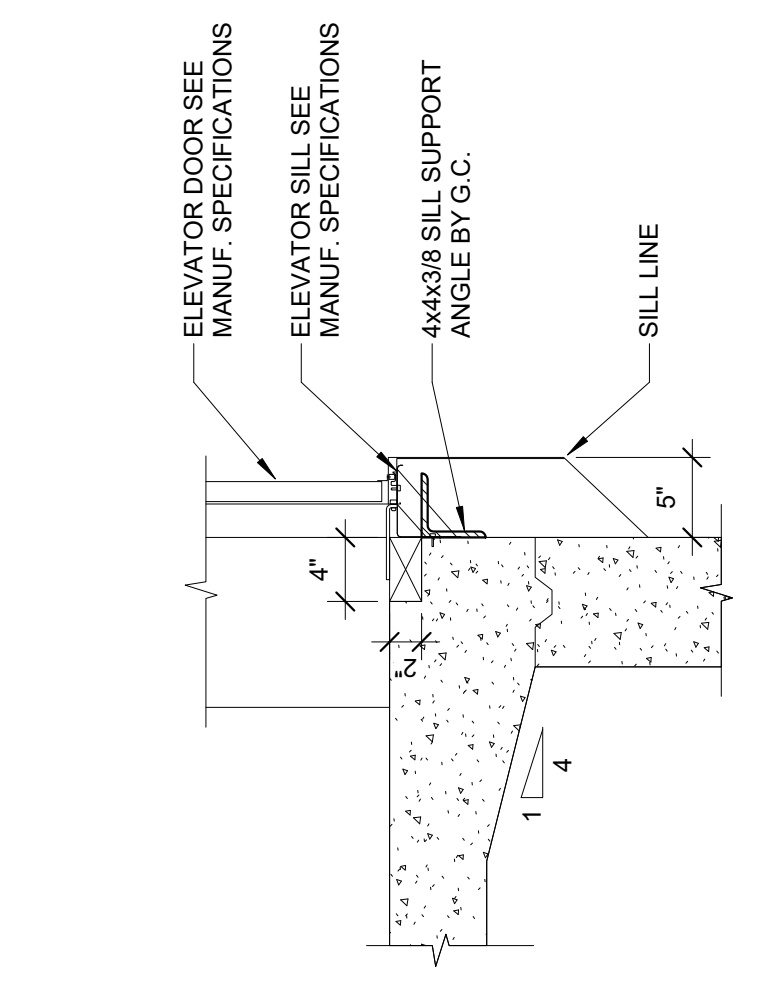
4 | ELEVATOR PIT LADDER ELEVATION  
1" = 1'-0"



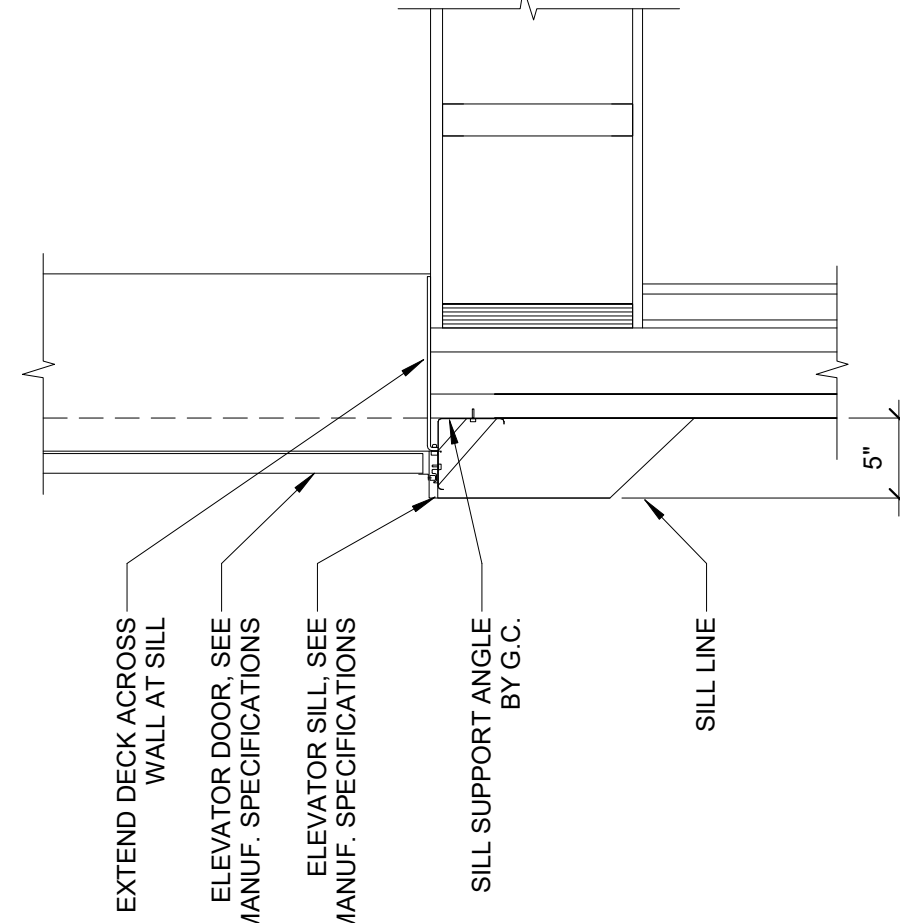
5 | ELEVATOR PIT LADDER PLAN  
1" = 1'-0"



1 | ELEVATOR SECTION 1  
1/4" = 1'-0"



2 | ELEVATOR DOOR AT CONCRETE  
1" = 1'-0"



3 | ELEVATOR DOOR THRESHOLD  
1" = 1'-0"

Prepared For:		Project:	Revisions:
Owner		Ocean Gateway Addition	
Address City, State		167 Fore Street Portland, Maine	
Architect:	Date:	Scale:	
<b>ARCHETYPE</b> Architects 48 Union Wharf Portland, Maine 04101 ARCHETYPE@ARCHETYPEDA.COM(207) 772-6022	--/--/----	As indicated	
Elevator Section and Details			<b>A3.12</b>

