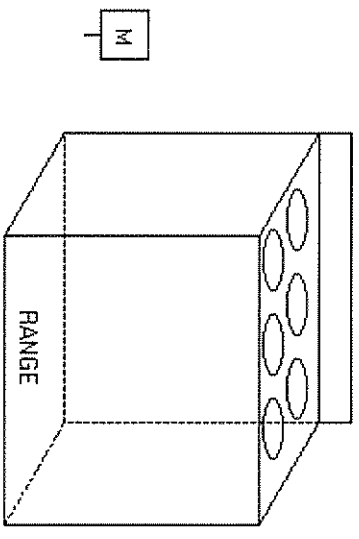
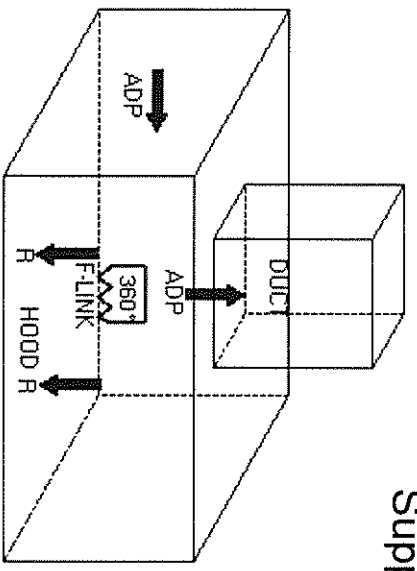
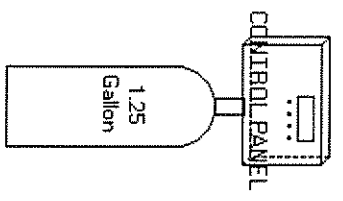


**Range Guard Wet  
Chemical Systems  
Pre-Engineered Fire  
Suppression System**



Designed & Installed by:  
Firesafe Equipment  
PO Box 1355  
Auburn, ME 04211  
207-784-7525

For:  
**LOIS NATURAL FOODS**

Lic #:  
Designer:  
Job #:  
Date: 12/19/2014

Stamp